



**deltaSchwank**



**deltaSchwank.**

**Tube Heaters reinvented. Made in Germany.**

**For Efficiency, User Friendliness and Sustainability.**

**Schwank**  
INNOVATIVE HEATING SOLUTIONS



# The Delta: Maximum Focus on the Customer Benefit

The certain Delta: A highly efficient **bluTek**-burner with a high-temperature resistant stainless steel combustion chamber

Schwank engineers achieved a technological breakthrough in the area of tube heater efficiency by developing the new **deltaSchwank**. The combination of the patented, highly efficient **bluTek**-burner, the new reflector properties and an intelligent control system has resulted in a tube heater that is second to none in terms of

efficiency, user-friendliness and sustainability. These benefits make a difference to any industrial and commercial application... or as we call it: the certain Delta!

## Your Advantages:

### Efficiency

- 19%\*\* Higher radiant efficiency
- 50%\*\* Less flue gas losses
- 72%\*\* Lower electrical consumption
- 13%\*\* Energy savings

### User-Friendliness

- Onboard diagnostic function for optimised maintenance
- Predictive-Maintenance** = Max. availability
- 15 years warranty\*\*\*
- Industry 4.0 ready
- Quality "Made in Germany"

### Sustainability

- 20% less CO<sub>2</sub> and up to 55% less NO<sub>x</sub> through the patented **bluTek**-burner with pneumatic gas/air-compound. \*\*\*\*
- Minimised switch cycles for an extended product life time.

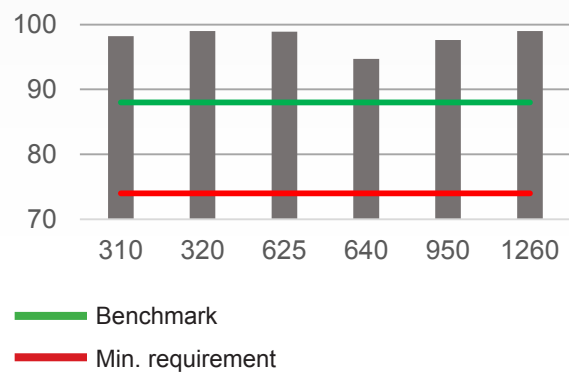
\* Measured according to DIN EN 416-2

\*\* All data concerning energy efficiency and consumption result from a comparison to a calorSchwank D 15 M/U.

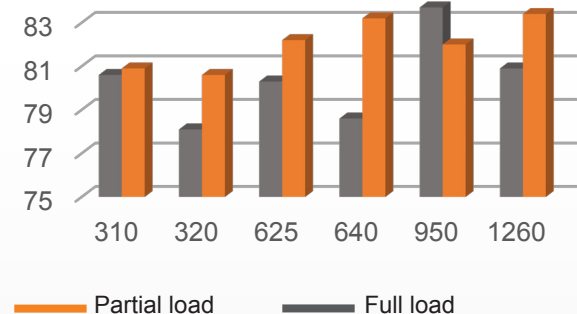
\*\*\* Only in combination with Premium GaraPlus package.

\*\*\*\* Flue gas values vary by product type

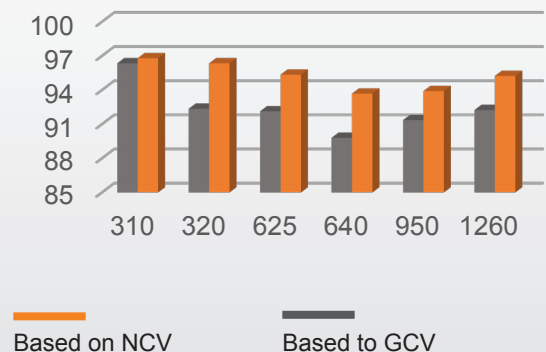
## Seasonal Efficiency [ErP 2018]\*



## Radiant factor\*



## Therm. Efficiency\*

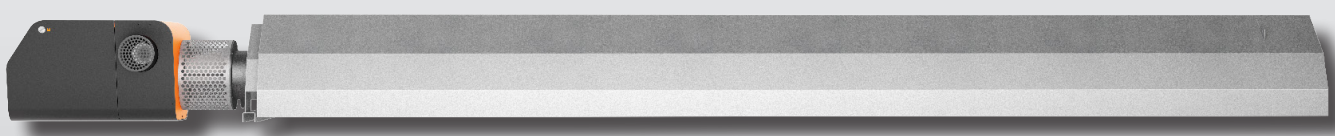
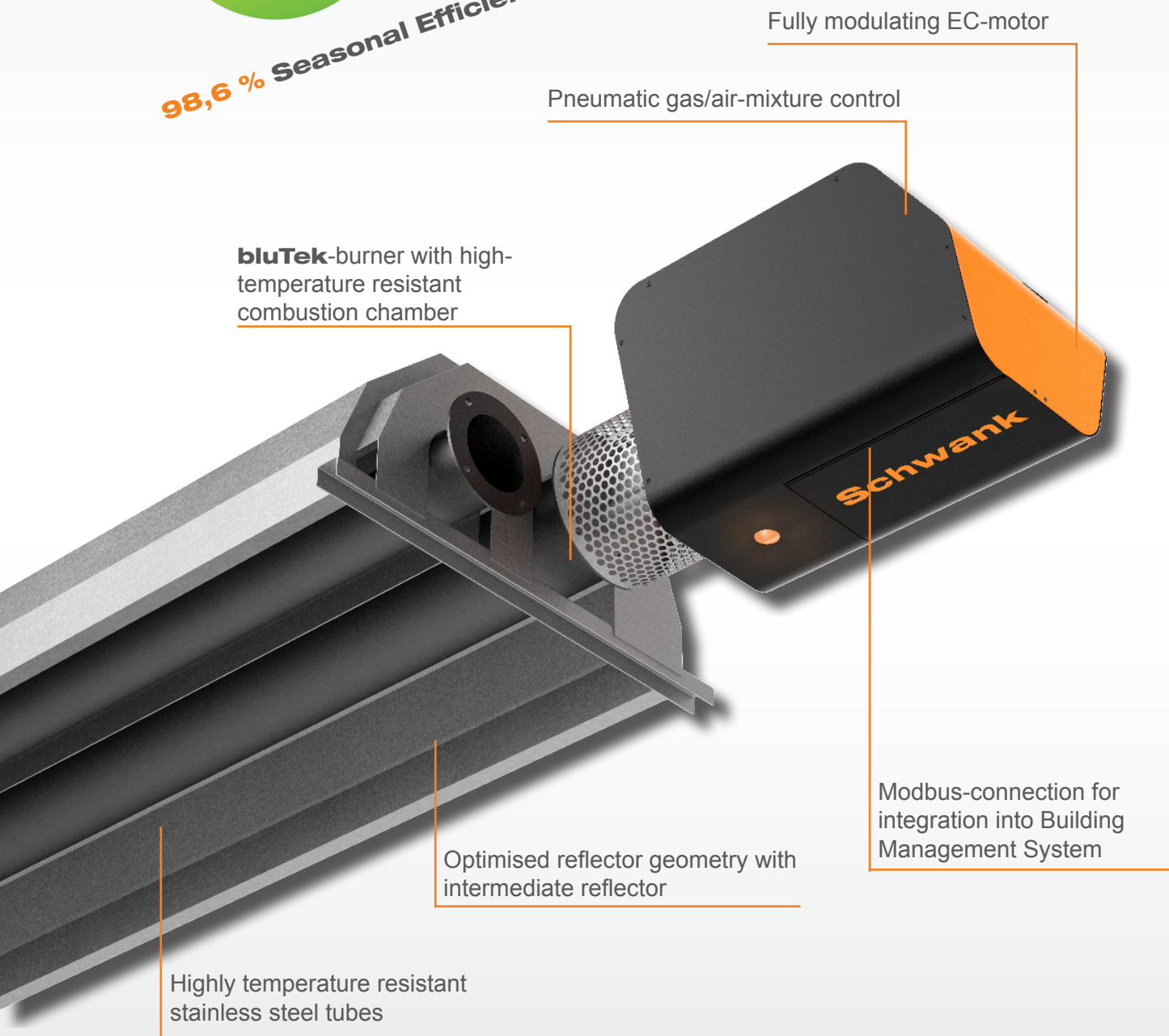


# A Revolutionary Approach in Tube Heater Technology.

... because for us good has never been good enough...



98,6 % Seasonal Efficiency

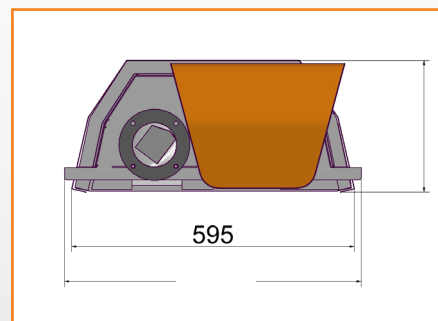
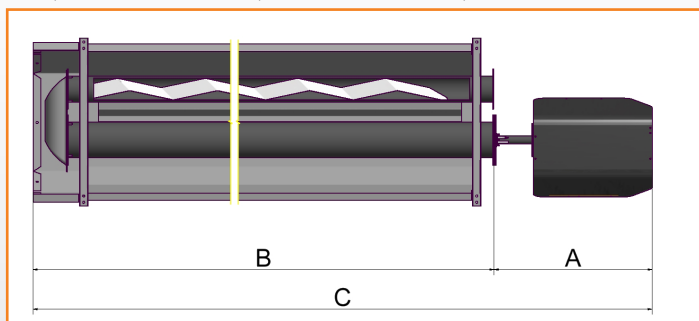


# Technical Data

		deltaSchwank					
		310	320	625	635	950	1260
Heat input [kW]		10	20	25	35	48	58
Efficiency	Radiant factor [%] FL / PL applied on heat value Hi	80,6 / 80,9	78,1 / 80,6	80,3 / 82,2	78,6 / 83,2	83,7 / 82,0	80,9 / 83,4
	Thermal efficiency [%] FL / PL applied on net calorific value [NCV]	96,3 / 96,8	92,3 / 96,3	92,1 / 95,3	89,8 / 93,7	91,4 / 93,9	92,2 / 95,2
	Thermal efficiency [%] FL / PL applied on gross calorific value [GCV]	86,8 / 87,2	83,2 / 86,8	83,0 / 85,9	80,9 / 84,4	82,3 / 84,6	83,1 / 85,8
	<b>Seasonal Efficiency [ErP] [%]</b>	<b>98,2</b>	<b>99,0</b>	<b>98,9</b>	<b>97,4</b>	<b>97,6</b>	<b>99,0</b>
Natural Gas H 1)	Modulation max. / min. [kW]	10,0 / 7,5	20,0 / 10,0	25,0 / 12,5	35,0 / 17,5	48,0 / 25,0	58,0 / 29,0
	Gas consumption [m <sup>3</sup> / h]	1,0	2,0	2,51	3,51	4,81	5,82
Natural Gas L 2)	Modulation max. / min. [kW]	10,0 / 7,5	20,0 / 10,0	25,0 / 12,5	35,0 / 17,5	48,0 / 25,0	58,0 / 29,0
	Gas consumption [m <sup>3</sup> / h]	1,17	2,33	2,92	4,08	5,60	6,77
Propane 3)	Modulation max. / min. [kW]	10,0 - 7,5	20,0 - 10,0	25,0 - 12,5	35,0 - 17,5	48,0 - 25,0	58,0 - 29,0
	Gas consumption [kg / h]	0,78	1,55	1,94	2,72	3,73	4,51
Technical Data	Weight [kg]	114		181	186	254	326
	Air/exhaust connection [mm]	Ø 100					
	Electrical consumption [W]	30	45	55	75	175	300
	Protection class	IP20					
	Gas connection [female]	R 1/2"			R 3/4"		
	Electrical supply	230 V / 50 Hz ~					
	Ignition and control	spark ignition and ionisation electrode run by automatic controller					
Dimensions	A: Length bluTek burner [mm]	626					
	B: Length radiation module [mm]	3050	5950		9000	11900	
	C: Total Length [mm]	3810	6728		9756	12681	
	Width [mm]	595					
	Height [mm]	293					
CE-Identnumber	CE-0085CS0487						

1)  $H_{i,n}=9,97 \text{ kWh/m}^3$  / 2)  $H_{i,n}=8,57 \text{ kWh/m}^3$  / 3)  $H_{i,n}=12,87 \text{ kWh/kg}$

FL = Full load/ PL= Partial load



## United Kingdom

**Schwank Ltd.**  
Suite 21, 50 Churchill Square  
Kings Hill, West Malling  
Kent, ME19 4YU  
Tel.: +44 [0] 208-641 3900  
Fax: +44 [0] 208-641 2594  
sales@schwank.co.uk  
www.schwank.co.uk

## Ireland

**Hevac Limited**  
Muirfield Drive  
Naas Road  
Dublin 12  
Tel.: +353 1 4191919  
Fax: +353 1 4584806  
E-mail: info@hevac.ie  
Internet: www.hevac.ie