

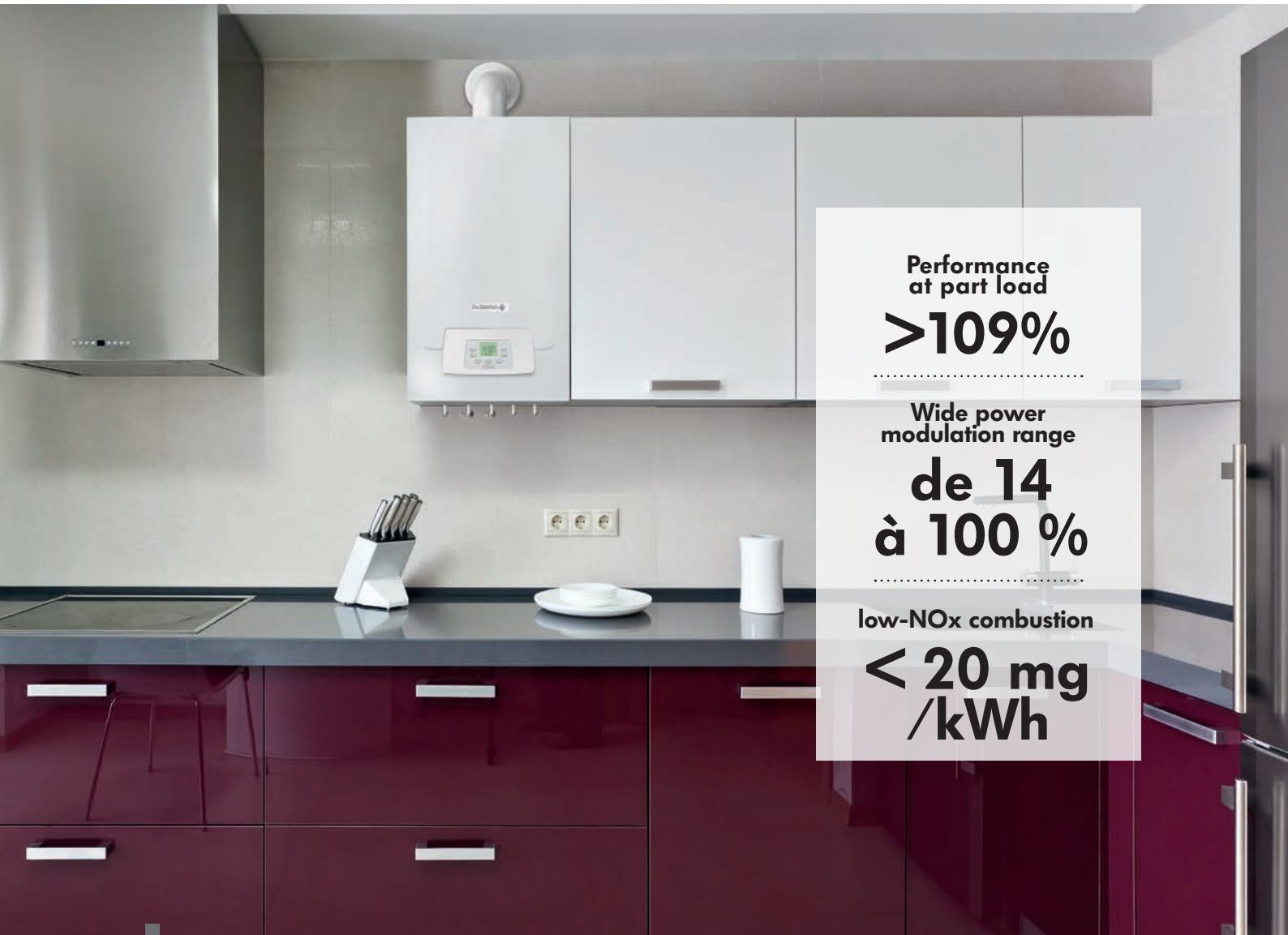
MPX

GAS CONDENSING BOILER FROM 3.7 TO 31 KW

THE OPTIMISED SOLUTION
IN CONDENSING



DISCOVER A BOILER WITH OPTIMAL PERFORMANCE



Performance
at part load
>109%

Wide power
modulation range
**de 14
à 100 %**

low-NOx combustion
**< 20 mg
/kWh**

EASY TO USE

- **Digital control panel** with back-lighted LCD display
- **Easy to use thanks to dedicated** and independent push-buttons to set the water and heating temperatures
- **The display shows all the information** and allows to set the functioning parameters clearly and simply.

FOR MORE SAVINGS

Outside sensor as well as room thermostat can be connected to the boiler to increase the savings.

- ON/OFF room thermostat.
- **Modulating programmable room thermostat which adapt boiler output to installation needs**

By adding an outside sensor to the modulating room thermostat, the performance of the boiler is improved.



SESS

A

SESS

A



HIGH PERFORMANCE FROM 3.7 TO 31 KW



ENERGY

- **Performance at part load > 109 %**
- A-labelling (ETAS 93%) according to the eco-design directive
- Optimal efficiency across the entire modulation range with the **dual-pass fume treatment in the heat exchanger**
- **Wide power modulation range from 14 to 100 %** to adapt output to heating and domestic hot water needs (from 3.7 to 31 kW)

ENVIRONMENTAL

- Class 6 according to EN 15502-1: compliant with the **upcoming 2018 requirement** from the eco-design directive.
- Stainless steel cylindrical burner for **low-NOx combustion** : **< 20 mg/kWh**



COMFORT

- **Silent**: sound insulation in boiler casing - Acoustic power level <50 dB(A) at nominal output.

RELIABILITY AND STRENGTH



EFFICIENT MATERIALS

- **Stainless steel heat exchanger**
- **High-quality stainless steel** used, very tolerant of water quality and corrosion-resistant.
- **Cutting-edge innovation** in design.
- **100% brass water unit** for tried-and-tested reliability
- Built-in heating and domestic hot water filters
- User friendly control panel with a simple logic button:
1 button = 1 function



3 STAR DOMESTIC HOT WATER COMFORT

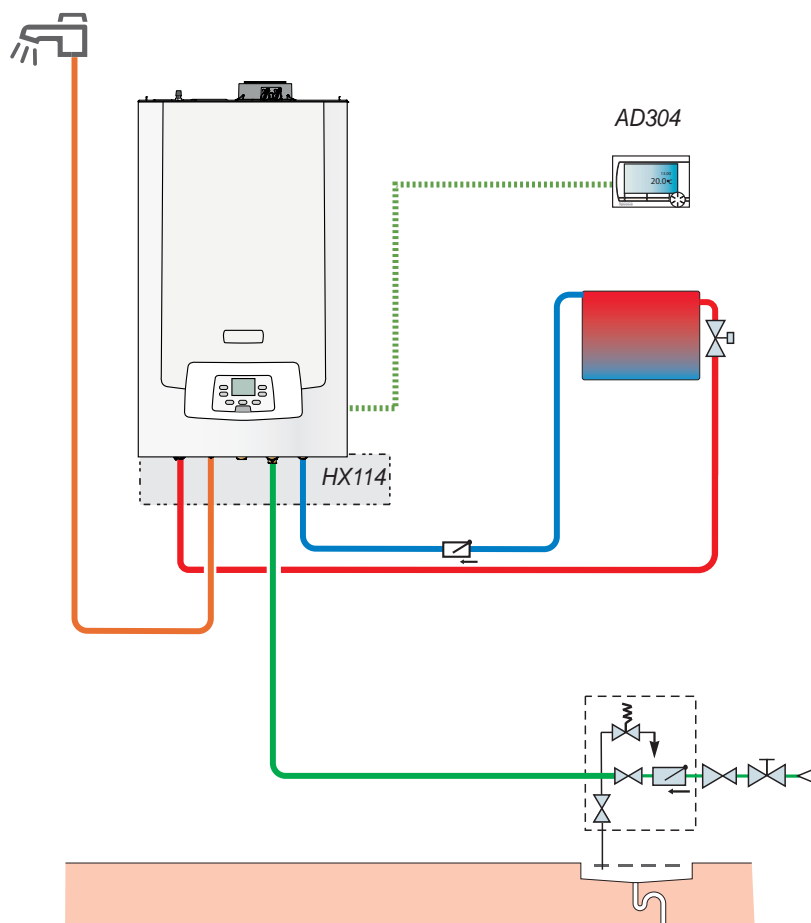
Plentiful pure domestic hot water at a stable temperature whenever you need it, that's MPX :

- Combi **micro-storage** version with a flow rate of **15,8 litres per minute*** maximum performance **in a compact version with MPX 30/33 MI**
- With storage version MPX 24/33 BIC the flow rate will reach 18,3l/min.
- **20 litres per minute***, thanks to a 130-litre DHW tank **with solo boiler.**
- **Pure water:** glass lined in high quartz content enamel.
- **The tank's lifecycle is longer** thanks to the magnesium anode that provides protection against any corrosion.

*according to EN 13203.1



APPLICATION



One direct circuit to radiator, with instantaneous domestic hot water production and connected thermostat

THE RIGHT CHOICE OF BOILER FOR REPLACEMENT OR NEW

LIGHT AND COMPACT

Heating only and MI, executions with 400 wide, provide problem-free installation of boilers in any location.

RELIABLE IN EVERY WAY

A robust boiler, with a stainless steel heat exchanger and brass water unit. Several million heat exchangers installed across Europe during the past 20 years.

QUICK COMMISSIONING

Due to GCO, combustion control system.

THE NEW ELECTRONIC FUEL CONTROL GCO SYSTEM

The GCO system is an electronic control system for the gas valve, providing automatic control of combustion quality.

It has three innovative features :

Increased safety

- The GCO controls CO (Carbon monoxide), helping to avoid the risk of intoxication.

Time saving

- No need to adjust the gas valve when starting up.
- No need to change a diaphragm for different types of gas.

Consistent, long-term performance

- The GCO adapts combustion quality constantly, to optimise efficiency.



MPX

GAS CONDENSING BOILER FROM 3.7 TO 31 KW

THE OPTIMISED SOLUTION
IN CONDENSING

models

MPX	24 COMPACT	20/24 MI COMPACT	24/28 MI COMPACT	28/33 MI COMPACT	28/33 BIC
GENERATOR TYPE	Heating only	Micro-accumulation	Micro-accumulation	Micro-accumulation	Integrated 40 L tank
POWER RANGE	3,7 - 26,1kW	3,7 - 21,8kW	4,1 - 26,1kW	5,1 - 30,6kW	5,1-30,6kW
RATED POWER IN HOT WATER MODE	-	24kW	28kW	33kW	33kW
SPECIFIC RANGE DHW AT DT = 30K ACCORDING TO EN13203-1	-	11,5 L/min	13,4 L/min	15,8 L/min	18,3L/min
DIMENSIONS W X H X D	400 x 700 x 299 mm	400 x 700 x 299 mm	400 x 700 x 299 mm	400 x 700 x 299 mm	600 x 950 x 466 mm
NET WEIGHT	30 kg	34 kg	34 kg	35 kg	67,5 kg

A FRENCH QUALITY MARK

For over 3 centuries, De Dietrich has based its success on an unchanging demand for quality, reliability and durability. As a forerunner in the field of environmentally-conscious heating technologies, De Dietrich has steadily pursued a dual objective: to protect the planet, while offering you the best in comfort. At the cutting edge of innovation, De Dietrich multi-energy systems make a significant contribution to cutting your energy consumption and your CO2 emissions. Choosing De Dietrich means investing in a heating solution that will ensure your well-being and peace of mind. For a long time.

Votre installateur

De Dietrich Thermique
SAS with corporate capital of 22,487,610 €
57, rue de la Gare - F-67580 Mertzwiller
Tel: +33 3 88 80 27 00 - Fax: +33 3 88 80 27 99

De Dietrich
SUSTAINABLE COMFORT®