



## DW ECO

Double wall insulated stainless steel chimney system

[www.jeremias.de/int](http://www.jeremias.de/int)

## EW ECO

Single wall stainless steel chimney system

## FERRO

Stove pipe for Multi-fuel applications



# DW ECO

## PRODUCT DESCRIPTION

**DW ECO** is a multi fuel, twin wall insulated stainless steel flue system suitable for all applications in negative and positive pressure, including condensing (joint seals).

Designed for use with all gas, oil, pellet, wood, coal domestic, commercial or industrial appliances.

DW ECO is CE Certified to EN 1856-1 TÜV 0036 CPD 9174 030 and TÜV 0036 CPD 9174 044. For full information and certificates please contact your Jeremias team.

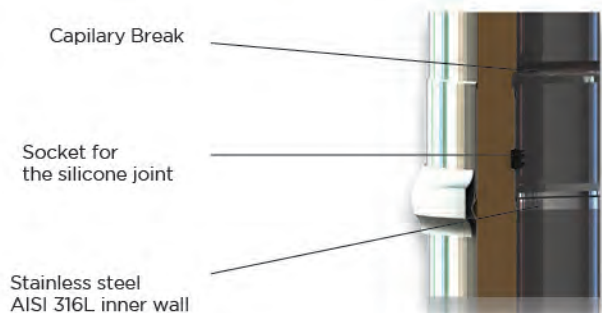
### MAIN FEATURES:

- > Simple open ended push-fit jointing system, secured by locking band.
- > 60 mm plugged in joint + wider locking band = better holding in horizontal runs.
- > Homogenous 25 mm high quality rigid rock wool insulation with 120 kg/cubic meter guaranteed density.
- > Continuous insulation: No thermal bridge between inner and outer steel case.
- > Low outer case temperature.
- > Operating temperature of 600° C – Soot fire tested at 1000° C.
- > Free expansion of the inner flue liner, assuring the integrity of the flue after a soot fire.
- > 4 hour fire rated to BS 476 part 20.
- > Jointing system with capillary break prevents moisture being drawn through the joint.
- > Positive pressure till 200 pa with the use of joint seals in the socket of the inner liner specially designed for modern condensing appliances.
- > 3 meters freestanding above last support.
- > Lateral support every 4 metres.
- > Load bearing support every 16 metres.
- > Full range of accessories.
- > HETAS listed for use on solid fuel applications.



DW ECO Standard version

- High density rigid rock wool
- Locking band
- Different types of stainless steel available
- Stainless steel AISI 304 outer wall



- Capillary Break
- Socket for the silicone joint
- Stainless steel AISI 316L inner wall

DW ECO for positive pressure / condensing

Ø / PRICE (€)

CODE	DESCRIPTION	304		316	
		Ø 125	Ø 150	Ø 125	Ø 150
<b>LENGTHS</b>					
DWEC.-.013	* Length 1000 mm	€74	€91	€93	€104
DWEC.-.014	* Length 500 mm	€53	€59	€67	€76
DWEC.-.015	* Length 250 mm	€37	€42	€47	€52
DWEC.-.544	** Adjustable length 370-550 mm	€74	€83	€93	€103
DWEC.-.545	** Adjustable length 550-900 mm	€111	€124	€139	€155
<b>ELBOWS &amp; TEES</b>					
DWEC.-.016	* Elbow 15°	€53	€59	€67	€74
DWEC.-.017	* Elbow 30°	€53	€59	€67	€74
DWEC.-.018	* Elbow 45°	€53	€59	€67	€74
DWEC.-.064	* Elbow 87°	-	-	€95	€107
DWEC.-.060	* Elbow 90°	€76	€86	€95	€107
DWEC.-.012	* Tee 135°	€161	€175	€208	€233
DWEC.-.011	* Tee 87°	-	-	€172	€192
DWEC.-.317	* Tee 90°	€116	€126	€145	€158
<b>INSPECTION</b>					
DWEC.-.543	* Length with measurement adaptor	€63	€71	€79	€89
DWEC.-.087	* Measure Length with pyrometer	€263	€293	€329	€367
DWEC.-.068	* Inspection length with door 40 pa (N)	€221	€247	€277	€308
DWEC.-.549	* Inspection length with door 200 pa (P)	€263	€293	€329	€367
DWEC.-.551	* Tee-cap	€19	€23	€25	€28
DWEC.-.044	* Tee cap with drain	€25	€28	€31	€35
<b>TERMINALS</b>					
DWEC.-.032	Conical Terminal	€34	€38	€42	€48
DWEC.-.526	Rain cap Terminal	€48	€54	€60	€67
DWEC.-.527	Rain cap + Wind Protection	€69	€77	€87	€96
DWEC.-.532	Horizontal Terminal with grid	€61	€69	€77	€86
DWEC.-.801	Vertical Terminal with grid	€70	€77	€88	€96
<b>ADAPTORS</b>					
DWEC.-.531	*Draft damper	€111	€124	€139	€155
DWEC.-.37M	Boiler adaptor Ø	€27	€30	€32	€36
DWEC.-.983	Increaser Ø (xy)	€59	€75	€94	€108
DWEC.-.982	Decreaser Ø (xy)	€59	€75	€94	€108
DWEC.-.037	*Single wall - double wall adaptor	€25	€28	€31	€35
DWEC.-.37A	*Double wall - single wall adaptor	€25	€28	€31	€35
DWEC.-.851	Stove adaptor	€27	€30	€33	€37
DWEC.-.852	Increasing stove adaptor	€27	€30	€33	€37
DWEC.-.37GW	Recessed stove adaptor	€31	€34	€38	€41
<b>BANDS &amp; BRACKETS</b>					
ZUWA.004D00.045	Locking band	€6	€7	€6	€7
ZUWA.004D00.567	Locking band (fast locking system)	€7	€8	€7	€8
ZUWA.004D00.556	Adjustable wall bracket 50-75 mm	€21	€24	€21	€24
ZUWA.004D00.546	Adjustable wall bracket 50-150 mm	€63	€71	€63	€71
ZUWA.004D00.547	Adjustable wall bracket 150-250 mm	€69	€78	€69	€78
ZUDA.004D00.548	Adjustable wall bracket 250-350 mm	€76	€84	€76	€84
ZUDA.004D00.042	Guy wire bracket	€11	€13	€11	€13
ZUWA.004D00.062	Level Bracket	€23	€25	€23	€25
ZUWA.004D00.040	Descent bracket	€8	€8	€8	€8
ZUDA.004D00.550	Roof support	€27	€30	€27	€30
DWEC.-.858	Wall support bracket	€79	€79	€79	€79
DWEC.-.379	Wall support	€95	€107	€119	€133
DWEC.-.006	Base plate with side drain	-	-	€133	€149
<b>FLASHINGS</b>					
ZUDA.00ZS00.072	Fire stop plate	€28	€29	€28	€29
ZUDA.004D00.937	Flashing kit 0-5°	€127	€141	€127	€141
ZUDA.004D00.938	Flashing kit 5-25°	€127	€141	€127	€141
ZUDA.004D00.939	Flashing kit 25-45°	€207	€210	€210	€210
ZUDA.004D00.307	Storm collar / embellisher	€22	€25	€22	€25
ALBI 26	Joint seal, 200 Pa (P)	€3	€3	€3	€3

	316	304
Gas	suitable	suitable
Oil	suitable	suitable /not recommended
Solid Fuel	suitable	not suitable
Condensing	suitable	not suitable



\* Article includes 1 no locking band  
 \*\* Article includes 1 no locking band o-ring joint  
**Larger sizes available upon request**

# EW ECO

## PRODUCT DESCRIPTION



Jeremias EW ECO is a single wall flue system suitable for a wide range of solid fuel oil and gas-fired applications. When used in conjunction with joint seals, it is also suitable for modern fully condensing appliances and positive pressure installations where the flue gas temperature does not exceed 200 °C.

It holds operating temperatures up to 600 °C and it is soot fired tested at 1000 °C. The EW ECO flue system is ideal for the relining of existing brick chimneys.

### QUALITY ASSURANCE

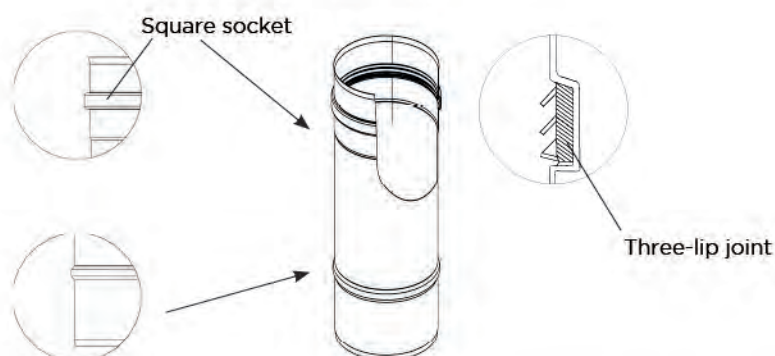
The range is CE approved and manufactured and certified to EN 1856-1 and -2; classifications as follows:

Standard	Temperature Range	Pressure Range	Condensate Resistance		Corrosion Resistance	Soot Fire Resistance	
			Wet (W) Dry (D)			Yes (G) No (O)	Distance to Combustibles (mm)
EN 1856-1/2	T600	N1	D		V2 L50040	G(100)	
EN 1856-1/2	T400	N1	W		V2 L50040	O(50)	
EN 1856-1/2	T200	P1	W		V2 L50040	O(00)	

EW ECO is available in 14 diameters from 80mm to 600mm. All components are fully welded and manufactured from AISI 316 or AISI 304 grade stainless steel.

### JOINTING

The system is designed to be installed with the female connection furthest from the appliance. When used in condensing or positive pressure applications, a three lip joint seal must be used on each component.



Ø / PRICE (€)

CODE	DESCRIPTION	304		316	
		Ø 125	Ø 150	Ø 125	Ø 150
<b>LENGTHS</b>					
EWEC.-.013	Length 1000 mm	€26	€30	€39	€43
EWEC.-.014	Length 500 mm	€16	€17	€22	€24
EWEC.-.544	Adjustable Length 370-550 mm	€36	€44	€49	€62
EWEC.-.545	Adjustable Length 550-900 mm	€43	€53	€60	€74
<b>ELBOWS &amp; TEES</b>					
EWEC.-.017	Elbow 30°	€14	€17	€18	€22
EWEC.-.018	Elbow 45°	€14	€17	€18	€22
EWEC.-.022	Elbow 87°	-	-	€25	€31
EWEC.-.060	Elbow 90°	€18	€24	€25	€31
EWEC.-.012	Tee 135°	€44	€56	€56	€70
EWEC.-.015	Tee 87°	€36	€43	€55	€66
<b>INSPECTION</b>					
EWEC.-.543	*Length with measurement adaptor	€21	€26	€27	€35
EWEC.-.087	Measure Length with pyrometer	€118	€147	€157	€194
EWEC.-.549	Inspection Length with door 200 pa	€78	€97	€103	€128
EWEC.-.551	Tee-cap	€18	€19	€23	€24
EWEC.-.044	Tee cap with drain	€24	€25	€29	€30
EWEC.-.001	Tee cap with side drain			€33	€35
<b>TERMINALS</b>					
EWEC.-.032	Conical Terminal	€30	€38	€40	€50
EWEC.-.526	Rain cap Terminal	€42	€53	€56	€70
EWEC.-.527	Rain cap with wind protection	€61	€76	€80	€101
EWEC.-.532	Horizontal Terminal with grid	€55	€68	€74	€90
EWEC.-.533	Horizontal Terminal	€48	€60	€67	€83
<b>ADAPTORS</b>					
EWEC.-.123	Appliance adaptor Ø	€13	€15	€17	€20
DWEC.-.037	Single wall- double wall adaptor	€25	€28	€31	€35
DWEC.-.37a	Double wall- single wall adaptor	€25	€28	€31	€35
EWEC.983	Increaser Ø (xy)	€34	€40	€46	€52
EWEC.982	Decreaser Ø (xy)	€34	€40	€46	€52
EWEC.613	Female - female adaptor	€16	€17	€16	€19
EWEC.972	Male - male adaptor	€16	€17	€16	€19
<b>BANDS &amp; BRACKETS</b>					
ZUWA.004D00.045	Locking band	€4	€5	€4	€5
ZUWA.004D00.567	Locking band (fast locking system)	€5	€6	€5	€6
ZUWA.004D00.556	Adjustable wall bracket 50-75 mm	€20	€21	€20	€21
ZUDA.004D00.042	Guy wire bracket	€7	€8	€7	€8
ZUWA.004D00.062	Level Bracket	€13	€16	€13	€16
ZUWA.004D00.040	Descent bracket	€6	€6	€6	€6
EWEC.6D0000.379	Adjustable wall support	€40	€49	€40	€49
ZUDA.004D00.550	Roof support	€18	€22	€18	€22
EWEC.D00000.006	Base plate with side drain	€50	€62	€50	€62
<b>FLASHINGS</b>					
ZUDA.00ZS00.072	Fire stop plate	€28	€31	€28	€31
ZUDA.004D00.937	Flashing kit 0-5°	€112	€113	€112	€113
ZUDA.004D00.938	Flashing kit 5-25°	€112	€113	€112	€113
ZUDA.004D00.939	Flashing kit 25-45°	€195	€197	€195	€197
ZUDA.004D00.307	Storm collar / embellisher	€15	€18	€15	€18
ALBI. 26	Silicone joint *	€3	€3	€3	€3

	316	304
Gas	suitable	suitable
Oil	suitable	suitable /not recommended
Solid Fuel	suitable	not suitable
Condensing	suitable	not suitable



013 - 014

544 - 545



012

017

022

012



001



044



549



543



527



526



123



Increaser



Decreaser



040



045



042



062



567



556



053 - 059 - 038 - 054



072



307



ALBI 26

\* Must be used on condensing applications  
Larger sizes available upon request



FERRO

# FERRO PRODUCT DESCRIPTION

Jeremias Ferro is a stove pipe made in 2 mm thick carbon steel painted, with a recessed plug-in connection. Ideal for your living room. Jeremias offers 4 different colours. the system components are coated in a high quality heat resistant paint, able to hold temperatures of 1000° C.



## APPLICATION

Connection pipe from stove or fireplace to a chimney system.

## COMBUSTIBLE

solid fuels

## WORKING TEMPERATURE

≤ 600°C

## MATERIAL

black steel

## WALL THICKNESS

2,0 mm

## WELDING SEAM

TIG without additive

## COLOURS

black 702.284

on request:

cast-grey 702.288

black-metallic 702.310

cast-grey hell 800.820

## FINISHING

coated with heat resistant Senotherm-paint

## AVERAGE ROUGHNESS

1 mm

## CE MARK NUMBER

0036 CPD 9174 017

## CE-CLASSIFICATION TO EN 1856-2

T600 - N1 - D - Vm - L01200 - G400



Ø / PRICE (€)

CODE	DESCRIPTION	Ø / PRICE (€)	
		Ø 130	Ø 150
<b>LENGTHS</b>			
FERRO1401	Length 1000 mm	€37	€44
FERRO1402	Length 750 mm	€28	€36
FERRO1403	Length 500 mm	€20	€25
FERRO1404	Length 330 mm	on request	
FERRO1405	Length 250 mm	€13	€14
FERRO1406	Length 150 mm	on request	
FERRO1450	Length 1000 mm with damper and clean-out opening (without threaded plug-at)	€57	€59
FERRO1451	Length 500 mm with damper and clean-out opening (without threaded plug-at)	€48	€50
FERRO1418	Length 300 mm with damper flap	on request	

<b>ELBOWS</b>			
FERRO1409	Elbow 45° with clean-out opening	€37	€43
FERRO1407	Elbow 90° with clean-out opening	€38	€44
FERRO1412	Elbow 15°	on request	
FERRO1411	Elbow 30°	on request	
FERRO1410	Elbow 45°	€34	€37
FERRO1408	Elbow 60°	€37	€40

<b>ACCESSORIES</b>			
FERRO1422	Wall rosette 55 mm	€6	€8
FERRO1423	Wall rosette big 85 mm	€12	€16
FERRO1440	Extension 120 - 130 mm, not painted	on request	
FERRO1441	Reduction 180 - 150 mm, not painted		
FERRO1442	Reduction 160 - 150 mm, not painted		
FERRO1444	Reduction 200 - 180 mm, not painted	on request	
FERRO1462	Ceiling penetration sleeve, round	€62	€64
FERRO1463	Ceiling penetration sleeve, square	€62	€64

<b>AVAILABLE COLOURS</b>			
FERRO 1...	Black	standard	
FERRO 2...	Black metallic	on request	
FERRO 3...	Cast iron grey	on request	
FERRO 4...	Cast iron grey	on request	

All components are pretreated at 200° C  
 Following diameters available upon request : 120mm, 160mm, 180mm, 200mm



**SMOKE DIRECTION**

Jeremias recommend to install the FERRO system following the smoke direction (as shown in the drawing) nevertheless the FERRO system can be installed the other way round to suit the outlet of the stove.

## PRODUCTION SITES

### Germany

**Jeremias GmbH**  
Opfenrieder Str. 11-14  
D-91717 Wassertrüdingen  
phone: +49 (0) 9832 6868-50  
e-mail: [info@jeremias.de](mailto:info@jeremias.de)  
www.jeremias.de

### Poland

**Jeremias Sp. z o.o.**  
ul. Kokoszkki 6  
PL-62200 Gniezno  
phone: +48 61 428 46 20  
e-mail: [info@jeremias.pl](mailto:info@jeremias.pl)  
www.jeremias.pl

### Spain

**Jeremias España S. A.**  
P.I. Zubieta 3  
ES-48340 Amorabieta / Bizkaia – España  
phone: +34 946301010  
e-mail: [info@jeremias.com.es](mailto:info@jeremias.com.es)  
www.jeremias.com.es

### Russia

**OOO Jeremias Rus**  
141076 Moskauer Area, City Korolew  
Street Kaliningradskaja, House 12, Building A126  
phone: +7 (495) 664 2378  
e-mail: [info@jeremias.ru](mailto:info@jeremias.ru)  
www.jeremias.ru

### Czech Republic

**Jeremias CZ s.r.o.**  
Školní 22/6  
CZ-434 01 Most Růdolice  
phone: +420 476 701238  
e-mail: [info@jeremias.cz](mailto:info@jeremias.cz)  
www.jeremias.cz

## SALES OFFICES

### United Kingdom

**Jeremias UK Ltd.**  
Unit 5 Acorn way  
Oaktree Industrial Park  
NG18 3HD United Kingdom  
phone: +44 1623 889219  
e-mail: [info@jeremias-fluesystems.co.uk](mailto:info@jeremias-fluesystems.co.uk)  
www.jeremias-fluesystems.co.uk

### France

**Jeremias France**  
Sarl Oliva Inox, B. P. 121  
FR-59303 Valenciennes Cedex  
phone: +32 (0) 466 902 415  
e-mail: [info@jeremias.fr](mailto:info@jeremias.fr)  
www.jeremias.fr

### Hungary

**Jeremias Hungaria Kft.**  
Bártfai utca 54.  
H-1115 Budapest  
phone: +36 1 2053234  
e-mail: [info@jeremias.hu](mailto:info@jeremias.hu)  
www.jeremias.hu

### Slovakia

**Jeremias Slovakia**  
Terézie Vansovej 18D  
SK-960 01 Zvolen  
phone: +421 45 5326016  
e-mail: [info@jeremias.sk](mailto:info@jeremias.sk)  
www.jeremias.sk

### Ukraine

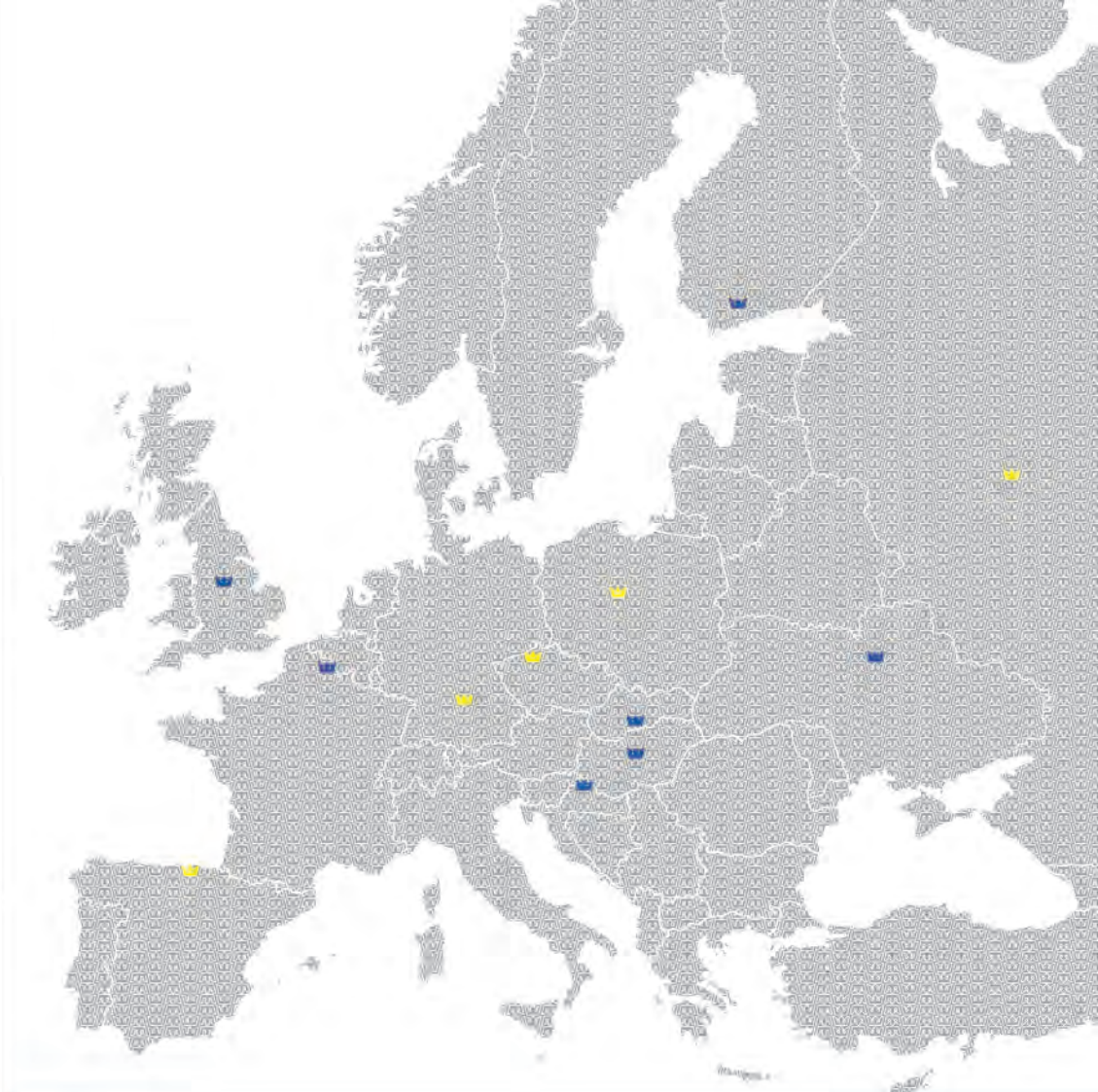
**Jeremias UA**  
Syretska Ave. 9  
UA-04073 Kiev, Ukraine  
phone: +37 257320382  
mobile: +38 (067) 4089331  
e-mail: [jeremias.ua@gmail.com](mailto:jeremias.ua@gmail.com)  
www.jeremias.org.ua

### Croatia

**Jeremias Croatia d.o.o.**  
Zagrebačka ulica 221  
10370 Dugo Selo  
phone: +385 1 2754 713  
e-mail: [info@jeremias.hr](mailto:info@jeremias.hr)  
www.jeremias.hr

### Finland

**Jeremias Finland Oy.**  
Kivikonkierto 2  
FIN - 05450 Hyvinkää  
phone: +358 50 439 6111  
e-mail: [info@jeremias.fi](mailto:info@jeremias.fi)  
www.jeremias.fi



Jeremias is represented in following countries: Austria | Belarus | Belgium | Denmark | Estonia | Ireland | Italy | Kazakhstan | Latvia | Lithuania | Luxemburg | Netherlands | Norway | Portugal | Romania | Serbia | Slovenia | Sweden | Switzerland

**Jeremias**<sup>®</sup>  
CHIMNEY SYSTEMS

The experts in your area: