



h *hevac*

LIBERTY (replaces Floreal)

Designer cast iron radiator

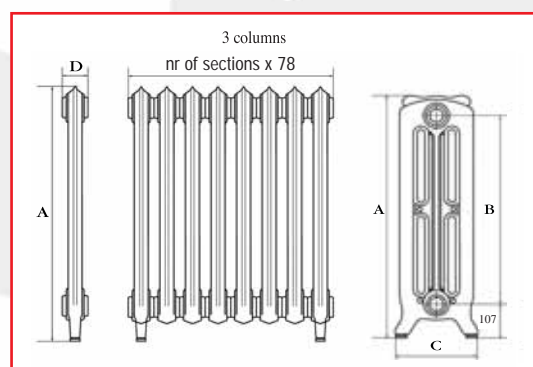
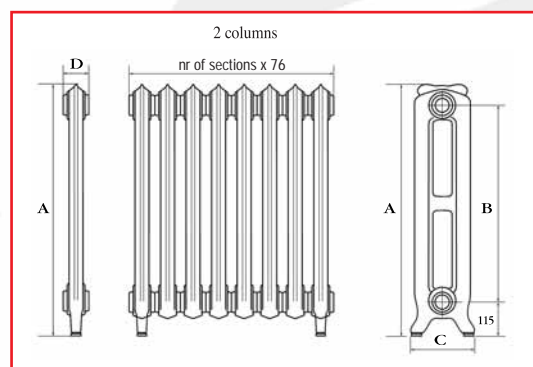
Available in 2 columns embroidered version or 3 columns embroidered or plain versions.



Plain version



Embroidered version

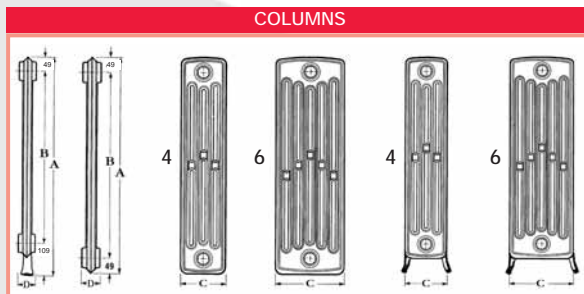


Type	A mm	B mm	C mm	D mm	Kg	W ΔT 50° C
2 columns Embroidered version						
2/660	660	500	203	76	11,2	104,0
2/760	760	605	203	76	12,2	121,1
2/950	950	795	203	76	14,4	151,4
3 columns Plain version						
3/760	760	582	250	78	12,5	137,8
3/950	950	782	250	78	15,4	182,4
3 columns Embroidered version						
3/760	760	582	250	78	12,5	137,8
3/950	950	782	250	78	15,4	182,4

T-CH (replaces Dune)

Column cast iron radiator

The classic radiator for excellence, manufactured with top quality cast iron. The sections are grouped by threaded nipples and manufactured in different sizes to allow the choice of the radiator better fitting all needs.



Type	A mm	B mm	C mm	D mm	Kg	W ΔT 50° C
------	------	------	------	------	----	-----------------------

intermediate sections

4/600 middle	600	500	144	60	5,4	93,0
4/700 middle	700	602	144	60	6,4	103,0
4/900 middle	899	800	144	60	7,7	132,0
6/600 middle	600	500	223	60	8,5	132,0
6/700 middle	700	602	223	60	9,5	151,0
6/900 middle	899	800	223	60	12,8	197,0

lateral sections**

4/600 lateral	660	500	144	60	5,5	93,0
4/700 lateral	760	602	144	60	6,5	103,0
4/900 lateral	960	800	144	60	7,9	132,0
6/600 lateral	660	500	223	60	8,6	132,0
6/700 lateral	760	602	223	60	9,7	151,0
6/900 lateral	960	800	223	60	13,0	197,0

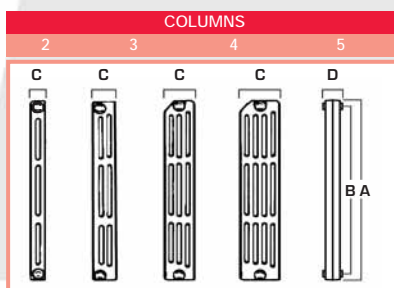
** For radiators assembled with lateral sections no additional charge for assembling is requested.



R-CH (replaces Savane)

Panel cast iron radiator

The top quality cast iron holds and releases heating thanks to the typical features of the metal. The sections are grouped by threaded nipples and manufactured in different sizes to allow the choice of the radiator better fitting all needs.



Type	A mm	B mm	C mm	D mm	Kg	W ΔT 50° C
2/880	880	813	65	60	5,2	82,1
3/560	560	500	95	60	5,0	75,1
3/690	690	623	95	60	6,2	87,3
3/880	880	813	95	60	7,8	107,6
4/560	560	500	130	60	6,2	91,0
4/690	690	623	130	60	7,8	111,9
4/880	880	813	130	60	9,8	133,4
5/690	690	623	163	60	8,9	132,0
5/880	880	813	163	60	12,1	158,5



APHRODITE

Sectional steel tubular radiator

The only tubular steel sectional radiator that can be grouped to the desired size thus allowing changes at any time.

Exclusive nipples and o'rings guarantee perfect sealing.

- Beautiful design, suitable for all needs.
- Easy and fast grouping, due to the special nipples and o'rings.
- Invisible weldings, no sign on the finished product.
- Epoxy powder coating keeps the radiator brilliant, safe and unchanged throughout the years.
- The o'ring seat is factory perfectly polished to guarantee easy screwing and perfect sealing.

Manufacturing features

Manufactured using forged steel heads 1,5 mm thick and steel pipes 1,2 mm thick and of 25 mm diameter.

Each section is being **threaded individually** at the nominal diameter of the hub of 1".

The heads have a bending radius of 20 mm.

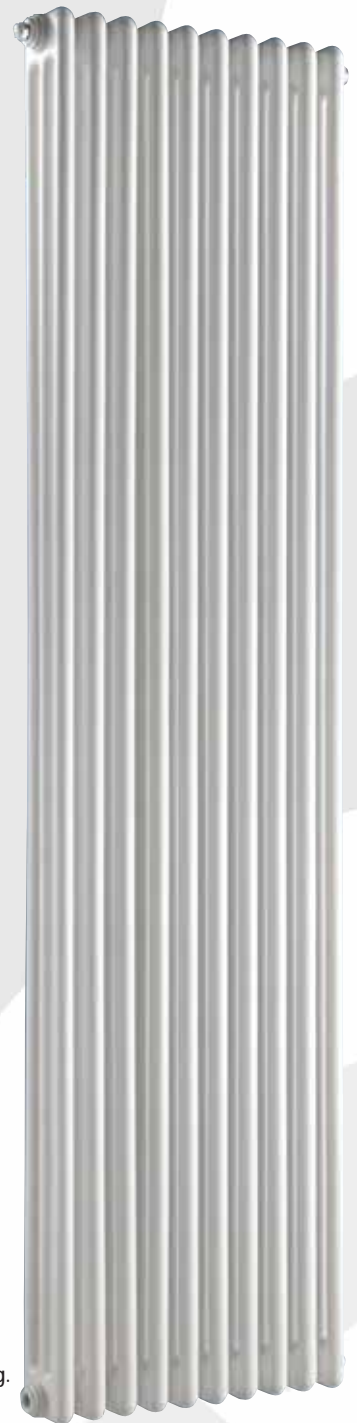
Sealing is tested twice: once on the individual section and once on the assembled group at 10,5 bar according to EN442.

Maximum working pressure: 8 bar.

Maximum working temperature: 95°C.

Each section undergoes a protective and cleansing phosphatising treatment, then it is painted with an epoxy powder coating.

Each radiator is packed in carton box.



Type	A mm	B mm	Kg	W $\Delta T 50^\circ C$
2/300	292	235	0,55	23,6
2/400	392	335	0,69	30,5
2/500	492	435	0,83	37,2
2/600	592	535	0,96	43,8
2/750	742	685	1,17	53,7
2/900	892	835	1,35	63,5
2/1000	992	935	1,49	70,1
2/1500	1492	1435	2,11	103,6
2/1800	1792	1735	2,51	124,4
2/2000	1992	1935	2,79	138,7
2/2200	2192	2135	3,10	153,0
2/2500	2492	2435	3,49	175,9

Special sizes to replace aluminium radiators

2/560	557	500	0,91	41,5
2/660	657	600	1,04	48,1
2/860	857	800	1,29	61,2

Special sizes to replace cast iron radiators

2/680	680	623	1,07	49,6
2/870	870	813	1,31	62,1

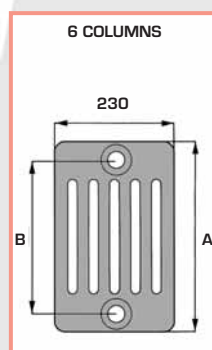
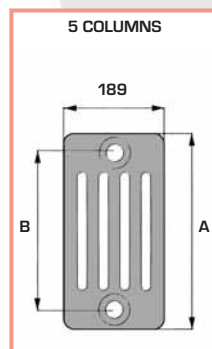
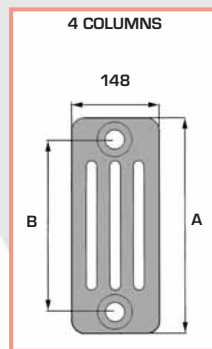
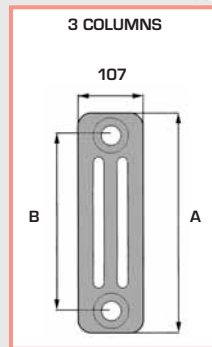
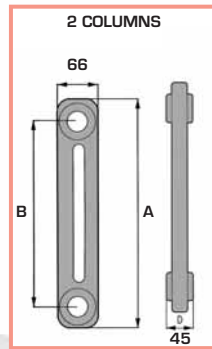
Type	A mm	B mm	Kg	W $\Delta T 50^\circ C$
4/300	292	235	1,09	43,6
4/400	392	335	1,37	55,8
4/500	492	435	1,65	68,0
4/600	592	535	1,93	80,3
4/750	742	685	2,31	98,6
4/900	892	835	2,67	116,9
4/1000	992	935	2,95	129,1
4/1500	1492	1435	4,35	184,1
4/1800	1792	1735	5,15	217,0
4/2000	1992	1935	5,71	237,6
4/2200	2192	2135	6,20	258,0
4/2500	2492	2435	7,11	288,9

Special sizes to replace aluminium radiators

4/560	557	500	1,81	76,0
4/660	657	600	2,09	88,2
4/860	857	800	2,56	112,6

Special sizes to replace cast iron radiators

4/680	680	623	2,15	91,0
4/870	870	813	2,59	114,2



Type	A mm	B mm	Kg	W $\Delta T 50^\circ C$
3/300	292	235	0,77	33,0
3/400	392	335	0,99	42,8
3/500	492	435	1,20	52,3
3/600	592	535	1,42	61,6
3/750	742	685	1,72	75,4
3/900	892	835	2,03	88,9
3/1000	992	935	2,24	97,8
3/1500	1492	1435	3,30	141,7
3/1800	1792	1735	3,92	167,7
3/2000	1992	1935	4,35	185,0
3/2200	2192	2135	4,90	203,0
3/2500	2492	2435	5,40	228,3

Special sizes to replace aluminium radiators

3/560	557	500	1,35	58,4
3/660	657	600	1,56	67,6
3/860	857	800	1,95	85,8

Special sizes to replace cast iron radiators

3/680	680	623	1,60	69,7
3/870	870	813	1,97	86,9

Type	A mm	B mm	Kg	W $\Delta T 50^\circ C$
5/300	292	235	1,27	53,9
5/400	392	335	1,62	69,5
5/500	492	435	,99	84,5
5/600	592	535	2,39	99,1
5/750	742	685	2,92	120,5
5/900	892	835	3,39	141,4
5/1000	992	935	3,47	155,0
5/1500	1492	1435	5,44	221,1
5/1800	1792	1735	6,54	259,4
5/2000	1992	1935	7,24	284,6
5/2200	2192	2135	7,99	310,0
5/2500	2492	2435	8,99	346,4

Special sizes to replace aluminium radiators

5/560	557	500	2,22	94,1
5/660	657	600	2,61	108,5
5/860	857	800	3,23	136,5

Special sizes to replace cast iron radiators

5/680	680	623	2,68	111,7
5/870	870	813	3,27	138,4

Type	A mm	B mm	Kg	W $\Delta T 50^\circ C$
6/300	292	235	1,50	62,9
6/400	392	335	2,00	82,5
6/500	492	435	2,40	101,5
6/600	592	535	2,84	120,0
6/750	742	685	3,44	146,9
6/900	892	835	4,06	172,2
6/1000	992	935	4,48	189,8
6/1500	1492	1435	6,58	268,9
6/1800	1792	1735	7,84	312,7
6/2000	1992	1935	8,76	340,5
6/2200	2192	2135	9,70	370,8
6/2500	2492	2435	10,86	405,4

Special sizes to replace aluminium radiators

6/560	557	500	2,60	113,6
6/660	657	600	3,14	131,8
6/860	857	800	3,92	166,9

Special sizes to replace cast iron radiators

6/680	680	623	3,18	135,9
6/870	870	813	3,96	169,2



TEKNO WHITE

20 sizes: 4 Heights and 5 Widths. The ideal solution to suit any bathroom.

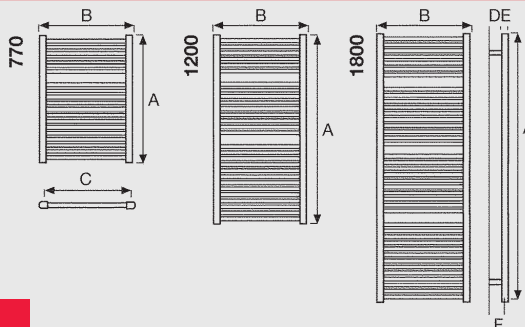
The range

Certified thermal output according to Euronorm EN442

D = Distance from the wall (from 48 to max 70 mm).

E = Thickness of the flat side of "D" shaped column (37 mm).

F = Distance from wall to the 1/2" tapping centers (from 66 to max 88 mm).



A mm	B mm	C mm	Kg	W ΔT 50° C
770	500	450	6,8	367
770	600	550	7,5	434
770	750	700	9,0	541
1200	500	450	10,2	543
1200	600	550	11,4	650
1200	750	700	13,7	808
1500	500	450	12,8	672
1500	600	550	14,8	801
1500	750	700	17,4	1036
1800	500	450	14,3	793
1800	600	550	16,5	938
1800	750	700	20,3	1149

also available in curved version



Radiator subject to a special internal anticorrosive treatment to grant a very long lifetime also with severe waters.

TEKNO CHROME

16 sizes: 4 Heights and 4 Widths. The ideal solution to suit any bathroom.

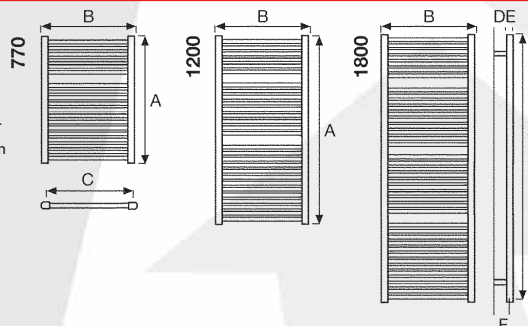
The range

Values calculated in laboratory according to Euronorm EN442 (under certification)

D = Distance from the wall (from 60 to max 85 mm).

E = Thickness of the flat side of "D" shaped column (30 mm).

F = Distance from wall to the 1/2" tapping centers (from 73 to max 98 mm).



A mm	B mm	C mm	Kg	W ΔT 50° C
770	500	450	5,5	210
770	600	550	6,3	250
1200	500	450	8,6	324
1200	600	550	9,9	389
1500	500	450	11,0	404
1500	600	550	12,3	470
1800	500	450	12,9	485
1800	600	550	14,8	578

also available in curved version



APHRODITE



CHROME

The unique steel tubular radiator in chrome-plated finish. A decorative radiator with a classic design and a shiny finish to furnish any modern and fashionable room with the most distinctive style. The rounded shape and the highly qualitative chrome-plating ensure the most exclusive choice for elegance and functionality.



Type	W ΔT 50° C
3 col. 600 Hi	46,3
3 col. 900 Hi	65,8
3 col. 2000 Hi	143,0

A installation set in chrome finish with bushes, air vent, blank plug and wall brackets come with each packed battery



ANTIQUE

The steel tubular radiator in varnish finish. A decorative radiator with a classic design in old style finish to furnish any quaint room with a most original style. The rounded shape and the highly qualitative varnishing ensure the most fashionable choice for elegance and functionality.



Type	W ΔT 50° C
3 col. 600 Hi	61,6
3 col. 900 Hi	88,9
3 col. 2000 Hi	185,0

A installation set in varnish finish with bushes, air vent, blank plug and wall brackets come with each packed battery

ACCESSORIES



SK LIB R1/2

SK LIB R1/2

Old style valve set for Liberty for 1/2" iron connection complete with angle valve, angle lockshield valve, 1/2" air vent and 1/2" little blank plug



SK LIB R

SK LIB BR

Old style valve set for Liberty complete for 1/2" iron connection with angle Hot/Cold valve with wooden handle 13 x 7 cm, angle lockshield valve, 1/2" air vent and 1/2" little blank plug

ST LIB

Old style 1/2" blank plug for Liberty

SV LIB S

Old style 1/2" air vent for Liberty

SK 1/2

Blister pack with 1/2" painted rounded bushes, 1/2" blank plug and 1/2" air vent for Aphrodite

SK 1/2 9300

Blister pack with four 1/2" chrome-plated and rounded bushes, 1/2" blank plug and 1/2" air vent for Aphrodite chrome



SK1/2

ST1/2 A

White 1/2" blank plug with silicon gasket

SV1/2

Chrome-plated 1/2" or 3/8" adjustable air vent with silicon gasket



RVMEN4

RVMEN4

Pair of special invisible brackets for Aphrodite

RVMEN4 9300

Pair of special chrome-plated wall brackets for Aphrodite chrome



SSINS

SS INS 2

Pair of white insertable fixing feet for 2, 3, 4, 5 and 6 columns types (dist. from floor 12 cm) for Aphrodite

SS INS 3

SS INS 4

SS INS 5

SS INS 6



SSVER

SSVER

Pair of white adjusting floor fixing supports (dist. from floor from 12,5 to 14,5 cm) for Aphrodite

MVDIA

Water diverter for Aphrodite

MVCT

Plastic key for bushes and plugs installation

MVCM

Joining key for nipples Aphrodite

MVSPR

White RAL 9010 400 ml spray bottle



SPR40

SPR40

RAL 9010 towel rail 40 cm long

SPC40

Chrome-plated towel rail 40 cm long



SAAP1

SAAP1

RAL 9010 Hanger (the pair)

SAAP2

Chrome-plated Hanger (the pair)



SK VAL 1

SK VAL 1

Chrome-plated brass valve set with angle valve, lockshield valve and plastic thermostatic head for 1/2" connections



SK VID 1

SK VID 1

Designer chrome-plated brass valve set with angle valve, lockshield valve and brass thermostatic head for 1/2" connections