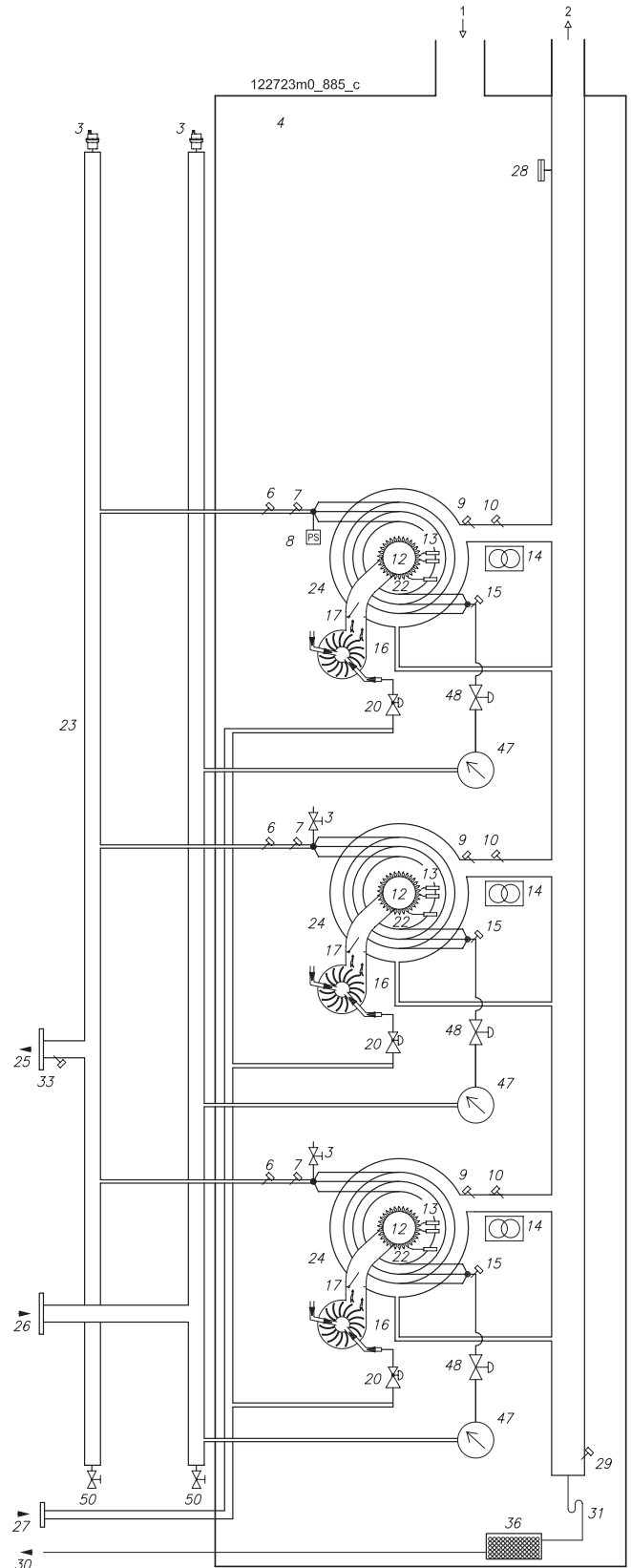


AGUADENS 180T, 210T Hydraulic diagram

- 1 - Air inlet
- 2 - Flue exhaust
- 4 - Sealing chamber
- 6 - High limit supply temperature switch
- 7 - Supply temperature sensor
- 8 - Water pressure sensor
- 9 - Flue gas temperature sensor
- 10 - High limit flue gas temperature fuse
- 12 - Premix burner
- 13 - Ignition electrodes
- 14 - Ignitor
- 15 - Return temperature sensor
- 16 - Modulating PWM fan
- 17 - Back flue preventer
- 20 - Gas valve
- 22 - Detection electrode
- 24 - CRV Stainless steel heat exchanger
- 25 - Hot water outlet from collector
- 26 - Cold water inlet/return to collector
- 27 - Gas inlet
- 28 - Blocked flue pressure switch
- 29 - Condensing blocked drain switch
- 30 - Condensing drain
- 31 - Condensate Siphon
- 36 - Condensate neutralizer box
- 47 - Flow meter
- 48 - Check valve
- 50 - Drain valve



AGUADENS 280T Hydraulic diagram

- 1 - Air inlet
- 2 - Flue exhaust
- 4 - Sealing chamber
- 6 - High limit supply temperature switch
- 7 - Supply temperature sensor
- 8 - Water pressure sensor
- 9 - Flue gas temperature sensor
- 10 - High limit flue gas temperature fuse
- 12 - Premix burner
- 13 - Ignition electrodes
- 14 - ignitor
- 15 - Return temperature sensor
- 16 - Modulating PWM fan
- 17 - Back flue preventer
- 20 - Gas valve
- 22 - Detection electrode
- 24 - CRV Stainless steel heat exchanger
- 25 - Hot water outlet from collector
- 26 - Cold water inlet/return to collector
- 27 - Gas inlet
- 28 - Blocked flue pressure switch
- 29 - Condensing blocked drain switch
- 30 - Condensing drain
- 31 - Condensate Siphon
- 36 - Condensate neutralizer box
- 47 - Flow meter
- 48 - Check valve
- 50 - Drain valve

