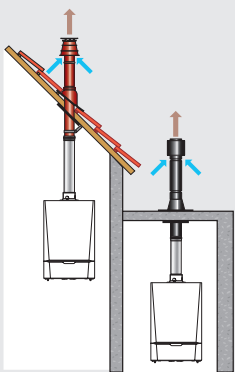


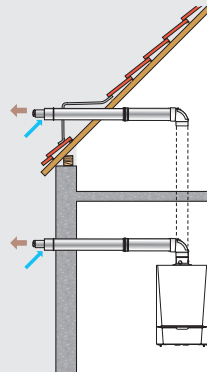
# FLUE SYSTEMS

## AIR / FLUE GAS CONNECTION FOR AIRTIGHT, PRESSURISED BOILERS

- Classification and selection .....p. 2 and 3
- Regulations and recommendations.....p. 3 and 4
- The various configurations applied to De Dietrich boilers ..... p. 6 to 91
- List and use scenarios of all flue systems accessories available ..... p. 92 to 105



Vertical forced flue configuration



Horizontal forced flue configuration



Flue systems accessories

**CE** The flue systems that we sell have CE marking

This "FLUE SYSTEMS" brochure contains all of the technical and statutory information regarding the air inlet and flue gas evacuation conduits used in DE DIETRICH forced flue boilers:

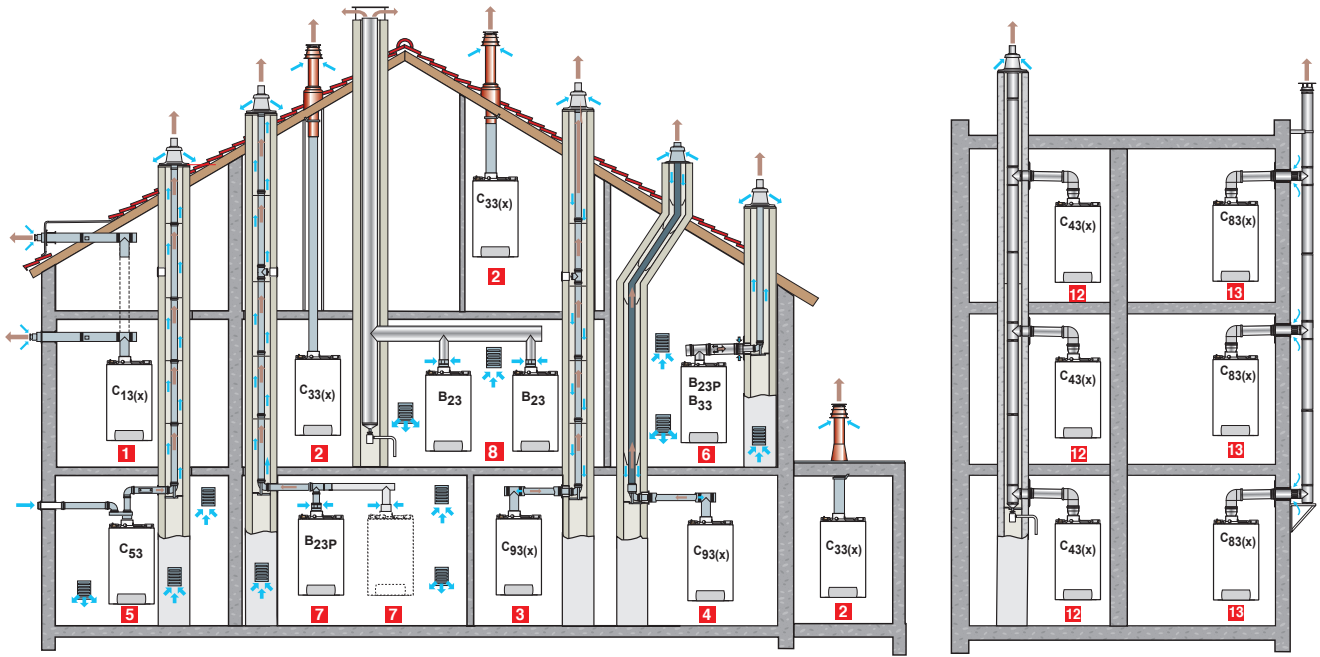
- Type B: chimney connection
- Type C: forced flue connection

Depending on the **configuration selected on page 2**, its design makes it easier to come to a decision on the various accessories needed for the air/flue gas connection of the concerned De Dietrich boilers.

The **table on page 3** indicates which page to refer to per type of boiler and type of configuration; on each of these pages, the accessories are listed by package no. and reference and are illustrated by dimensional diagrams.

A table at the end of the brochure summarises all of the flue systems accessories available, listed by package no., along with the situations in which they should be applied.

# CLASSIFICATION AND SELECTION



FUM\_F0014H

Types	Classification	Air/flue gas pipe types	Particularity	Observations
<b>1</b>	C <sub>12(x)</sub> C <sub>13(x)</sub>	concentric	horizontal terminal	wall outlet
<b>2</b>	C <sub>32(x)</sub> C <sub>33(x)</sub>	concentric	vertical terminal	roof outlet
<b>3</b>	C <sub>92(x)</sub> C <sub>93(x)</sub> (1)	- concentric in boiler premises or boiler room - single in chimney flue	rigid pipes	combustive air in counter-current in the chimney flue
<b>4</b>	C <sub>92(x)</sub> C <sub>93(x)</sub> (1)	- concentric in boiler premises or boiler room - single in chimney flue	flex pipes	
<b>5</b>	C <sub>52</sub> C <sub>53</sub>	single separate	bi-flow adapter	separate pipes
<b>6</b>	B <sub>22p</sub> /B <sub>32</sub> B <sub>23p</sub> /B <sub>33</sub>	single in pressurised chimney flue	flex and/or rigid pipes	combustive air taken in through an opening on the wall of the boiler premises
<b>7</b>	B <sub>22p</sub> B <sub>23p</sub>	single in pressurised chimney flue	cascade installation	
<b>8</b>	B <sub>22</sub> B <sub>23</sub>	single in chimney flue under vacuum	single boiler or cascade installation	
<b>12</b>	C <sub>42(x)</sub> C <sub>43(x)</sub>	- collective concentric in the chimney flue - concentric in boiler premises/boiler room	rigid pipes	shared flue system
<b>13</b>	C <sub>82(x)</sub> C <sub>83(x)</sub>	- collective single insulated on the outside - concentric in boiler premises/boiler room	rigid pipes	shared flue system

(1) C<sub>93(x)</sub>: formerly C<sub>33(x)</sub>

# CLASSIFICATION AND SELECTION

Classification and selection	p. 2
Regulations and recommendations	p. 3

	Typical configurations proposed for De Dietrich boilers	1 C12(x) C13(x)	2 C32(x) C33(x)	3 C92(x) C93(x)	4 C92(x) C93(x)	5 C52 C53	6 B22p/B32 B23p/B33	7 B22p B23p	12 C42(x) C43(x)	
DOMESTIC RESIDENTIAL	<b>Condensing boilers</b>									
	MODULENS G® AGC 10, 15, 25, 35	p. 6	p. 7	p. 8	p. 9/10	p. 11	p. 12 to 14	-	p. 15	
	HP INVERTER G HYBRID (1)	p. 6	p. 7	p. 8	p. 9/10	p. 11	p. 12 to 14	-	p. 15	
	TWINEO EGC 25	p. 6	p. 7	p. 8	p. 9/10	p. 11	p. 12 to 14	-	p. 15	
	INNOVENS MCA 10, 15, 25, 35, MCA 25/28 MI, 25/28 BIC	p. 6	p. 7	p. 8	p. 9/10	p. 11	p. 12 to 14	-	p. 15	
	NANEO EMC-M NANEO PMC-M PLUS	p. 16	p. 17	p. 18	p. 19/20	p. 21	p. 22 to 24	-	p. 25	
	ALEZIO G HYBRID (1)	p. 16	p. 17	p. 18	p. 19/20	p. 21	p. 22 to 24	-	p. 25	
	MPX	p. 26	p. 27	p. 28	p. 29/30	p. 31	p. 32 to 34	-	p. 35	
	VIVADENS MCR-P PLUS	p. 36	p. 37	p. 38	p. 39/40	p. 41	p. 42 to 44	-	p. 45	
	<b>Traditional boilers</b>									
	ZENA MS FF ZENA PLUS MSL FF	p. 64	p. 65/66	-	-	p. 67	-	-	p. 68	
	OIL	<b>Condensing boilers</b>								
		MODULENS O®	p. 70	p. 71	p. 72	p. 72/73	-	p. 74/75	-	-
		NEOVO CONDENS	p. 76	p. 77	p. 78	p. 78/79	-	p. 80/81	-	-
ALEZIO O HYBRID		p. 76	p. 77	p. 78	p. 78/79	-	p. 80/81	-	-	
<b>Traditional boilers</b>										
NEOVO ECONOX	p. 82	p.83	-	-	-	-	-	-		
ALEZIO O HYBRID (1)	p. 82	p.83	-	-	-	-	-	-		
TERTIARY COLLECTIVE	GAS	<b>Condensing boilers</b>								
		ELIDENS DTG 130-45	p. 46	p. 47	p. 48	p. 49/50	p. 52	p. 53 to 55	-	-
		ELIDENS DTG 130-65/90/115	p. 46	p. 47	p. 48	p. 51	p. 52	p. 53, 56	-	-
		INNOVENS PRO MCA 45	p. 46	p. 47	p. 48	p. 49/50	p. 52	p. 53 to 55	p. 57	-
		INNOVENS PRO MCA 65/90/115	p. 46	p. 47	p. 48	p. 51	p. 52	p. 53, 56	p. 57	-
		INNOVENS PRO MCA 160	p. 58/59	p. 60/61	-	-	-	p. 62	p. 63	-
		C 230 ECO	p. 84	p. 85	-	-	-	p. 86/87	p. 88	-
		C 330 ECO	-	p. 89	-	-	p. 90	p. 91	p. 91	-
C 630 ECO	-	p. 89	-	-	p. 90	p. 91	p. 91	-		

**Details:** - the letter "x" means that all of the components carrying pressurised flue gases come not into direct contact with the ambient air in the premises.  
- the difference between classifications C..2 and C..3 lies solely in the position of the forced flue fan in relation to the combustion chamber (C..2: located downstream ; C..3: located upstream).

## \* Homologation regarding type C boilers:

In accordance with the prevailing Standards applicable to type C1., C3., C9 and C5.. gas and oil boilers, these must be installed with their approved combustive air inlet and combustion product evacuation conduits and the appropriate terminals

## \*\* In overpressure shared flue configuration, the boiler must be fitted with a flue gas damper homologated with the boiler:

- fitted as standard to NANEO, MODULENS G®, TWINEO, INNOVENS and INNOVENS PRO boilers
- optional for VIVADENS and C 230 ECO boilers

(1) For the hybrid heat pumps: refer to the instructions of the boilers which they are associated:

- MODULENS G® for HP INVERTER G Hybrid,
- NANEO for ALEZIO G Hybrid,
- NeOvo Condens/EcoNox for ALEZIO O Hybrid.

# RECOMMENDATIONS AND REGULATIONS

Installations must be carried out in compliance with prevailing local and national regulations.

# INFORMATION SPECIFIC TO THE FLEXIBLE OUTLET PIPE IN PPS

- PPs: Polypropylene
- colour: white
- appearance: flexible (flex PPs)

Concerns types **4** **6** and the "flex conduit" packages:  
 DY897 (Ø 80 mm, L 12.5 m) and DY896 (Ø 80, L 50 m),  
 DY889 (Ø 110 mm, L 15 m) and DY890 (Ø 110 mm, L 25 m).

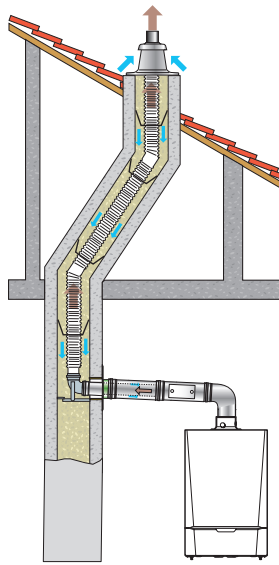
Assembly and commissioning must be done by a qualified professional who will take care of installation and connection according to the codes of practice and prevailing standards and regulations.

### Important recommendations:

- The flexible conduit must be mounted in suspension. The hanging system is incorporated in the terminal
- Assembly starts at the top, using an insertion tool: package DY901 (Ø 80 mm) or DY894 (Ø 110 mm)
- Do not use the flexible conduit for horizontal applications
- Have the shaft/chimney checked and/or cleaned by a company qualified in flue systems.

### Assembly tips:

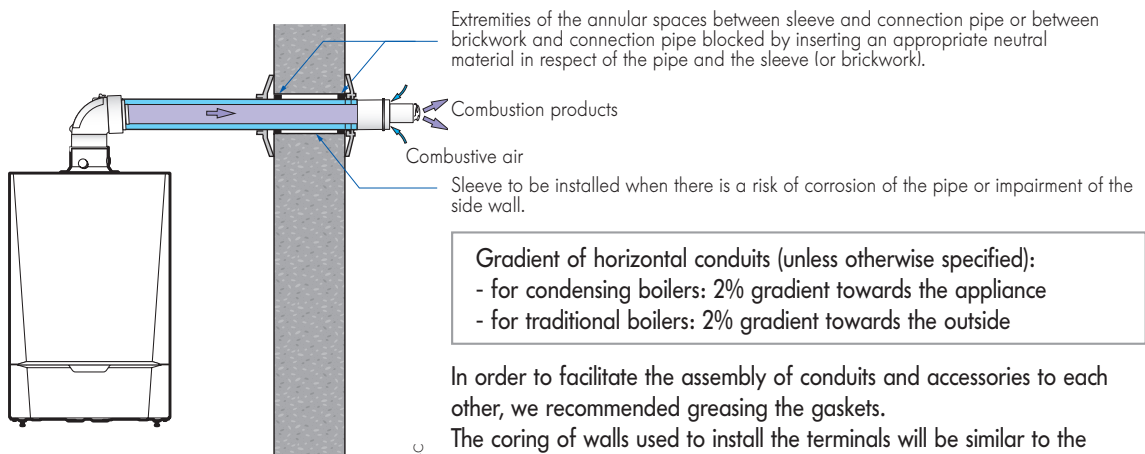
- The centring systems must be mounted on the flexible conduit at least every 2 m and before and after each straight inspection pipe.
- If the chimney sweep so requests, a straight inspection pipe can be fitted. This part is used to check and/or clean the flexible conduit from the inside. Follow the sign marked on the straight inspection pipe during assembly in order to prevent incorrect assembly which may lead to leakage



- The coupling parts are used to connect the lengths of flexible conduit to each other. Follow the direction of installation so that any condensation can be discharged at the bottom.
- The insertion tool is designed for easy, straightforward mounting of the flexible conduit. It can be used to pull the flexible conduit from the top and in the other direction.

## PRACTICAL TIPS

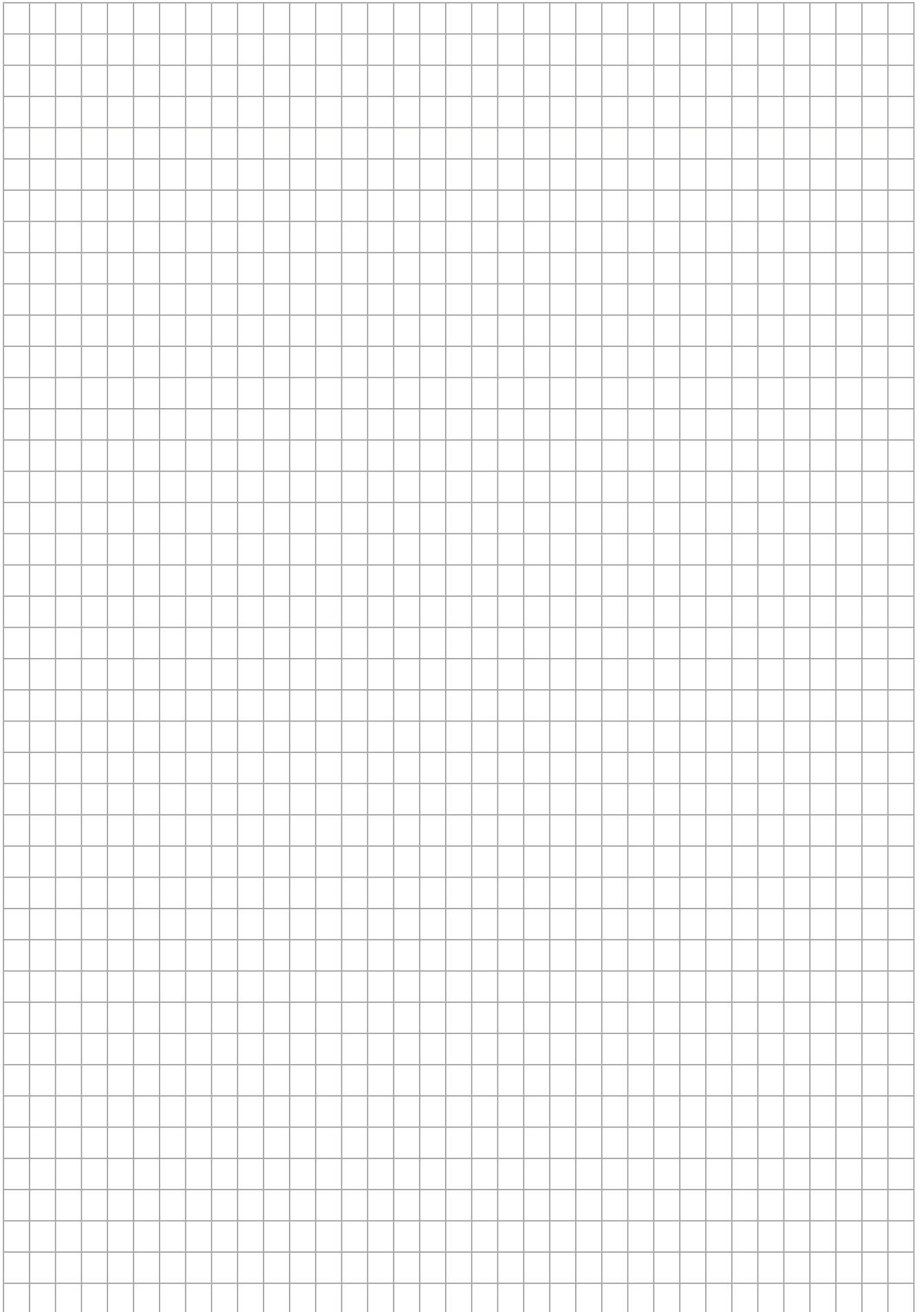
Description	measurement to be applied	concerns
Wall bushing	in sleeve if direct contact	plaster/steel - plaster/aluminium - polystyrene/conduits
Annular space	blocked using neutral material	at the extremities, between sleeve and conduits or between wall and conduits
Bushing	not encased, engraved, coated, sealed or blocked	incorporation of conduits in structural components
Secured	using clamps close to and above the interlocking elements	securing conduits to structural components
Assembly	fittings mounted with the female components pointing upwards	parts of interlocking conduits (fitting or gasket ex floor bushing)
Tightness	done using mechanical means (excluding pastes, glues or adhesives)	assembly of conduits and detachable parts
Fire safety distance	none	N/A
Protection	against mechanical shock by cladding	concentric conduits passing through a habitable room other than the installation premises
Condensates	Condensates neutralisation	for outputs > 2000 kW unless a local Prefectoral Order is in place
Cutting conduits	clean, burred cut using appropriate tools	for straight lengths and horizontal terminals



The dimensions shown in this brochure are given in mm to an accuracy of + or - 5 mm and may be modified.

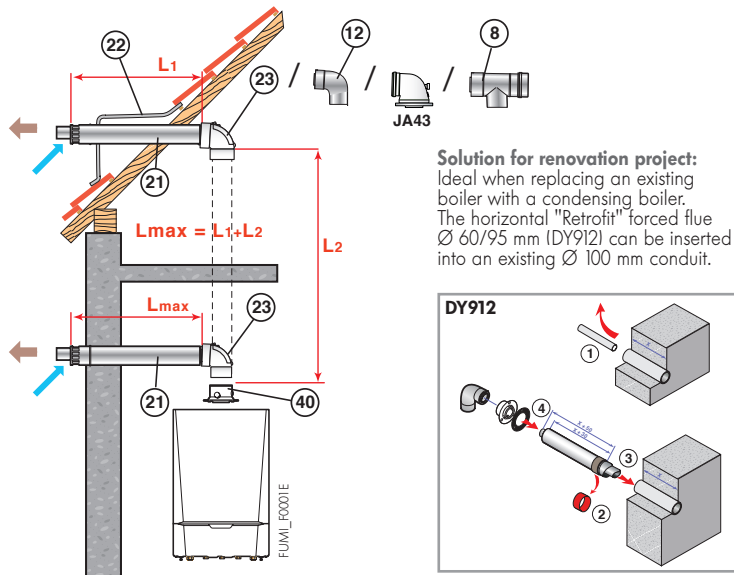
# NOTES

---

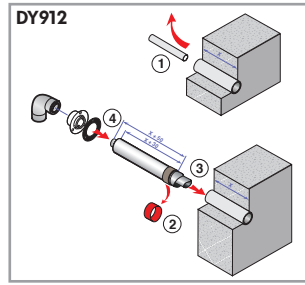


# MODULENS G<sup>®</sup>, TWINEO, INNOVENS

## 1 CONFIGURATION C<sub>13X</sub> - CONCENTRIC HORIZONTAL FORCED FLUE ALU/PPs (CONNECTION TO AN EXTERNAL WALL OR A ROOF OUTLET)



**Solution for renovation project:**  
Ideal when replacing an existing boiler with a condensing boiler. The horizontal "Retrofit" forced flue Ø 60/95 mm (DY912) can be inserted into an existing Ø 100 mm conduit.



Boiler shown: MCA connected to the horizontal forced flue Ø 80/125 mm (package DY882) + Adapter Ø 80/125 mm (package HR38)

Boiler types	connect. Ø (mm)	
	60/100	80/125
INNOVENS MCA 10	4.1	8.0
MODULENS G <sup>®</sup> AGC 10/15, 15 INNOVENS MCA 15	12	12.3
INNOVENS MCA 25	3.5	20
MODULENS G <sup>®</sup> AGC 25 TWINEO EGC 25 INNOVENS MCA 25/28 MI, 25/28 BIC	4.2	20
MODULENS G <sup>®</sup> AGC 35 INNOVENS MCA 35	3.5	17.6

connect. Ø (mm)	Equivalent length (m)	
	60/100	80/125
87° elbow	1.1	1.5
45° elbow	0.8	1.0
30° elbow	0.7	-
15° elbow	0.5	-
Straight inspection pipe	0.5	0.6
Inspection T	2.2	2.7
Inspection elbow	-	2.0

### ⇒ Alu/PPs flue systems accessories needed at the very least for connection to a horizontal forced flue

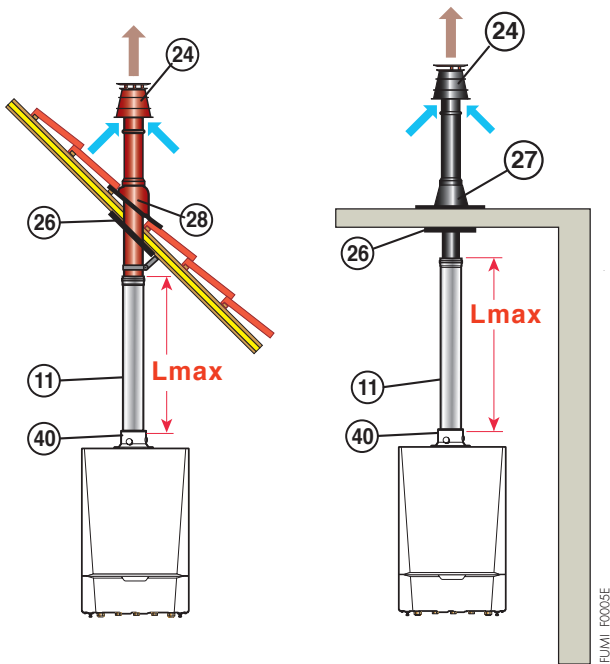
Description	Diagrams with Dimensions/References	Boiler types connect. Ø (mm) Package/Ref.	MODULENS G <sup>®</sup> AGC, INNOVENS MCA		TWINEO EGC	
			60/100	80/125	60/100	80/125
Horizontal forced flue Ø 60/100 mm with 87° elbow		DY871 100008296			X	
Horizontal forced flue Ø 60/100 mm with inspection elbow		HR48 100013756	X			
Horizontal forced flue Ø 60/100 mm with inspection T and extension, length 0.5 m		DY872 100008297				
Horizontal forced flue Ø 80/125 mm with inspection elbow		DY882 100011365		X		X
Reduction elbow Ø 60/100 mm		12 JA43 100018253	X (I)		X (I)	
Adapter Ø 80/125 mm		40 HR38 S 100465		X		X

(I) When, for reasons of space, the horizontal forced flue with its elbow (package HR48 or DY871) cannot be installed, this elbow is mounted instead and in place of the fitting (Ø 60/100 mm) on the boiler and thus allows a height saving of 70 mm.

### ⇒ Other flue systems accessories available, see pages 92 (Alu/PPs) and 98 (common accessories)

# MODULENS G<sup>®</sup>, TWINEO, INNOVENS

## 2 CONFIGURATION C<sub>33X</sub> - CONCENTRIC VERTICAL FORCED FLUE ALU/PPs (CONNECTION TO SLOPING ROOF OR FLAT ROOF)



Boiler shown: MCA connected to the vertical forced flue Ø 80/125 mm (package DY843) + Adapter Ø 80/125 mm (package HR38)

Boiler types	connect. Ø (mm)	Lmax (m)	
		60/100	80/125
INNOVENS MCA 10		13	20
MODULENS G <sup>®</sup> AGC 10/15, 15 INNOVENS MCA 15		25	20
INNOVENS MCA 25		13	20
MODULENS G <sup>®</sup> AGC 25 TWINEO EGC 25 INNOVENS MCA 25/28 MI, 25/28 BIC		11	20
MODULENS G <sup>®</sup> AGC 35 INNOVENS MCA 35		9	19

connect. Ø (mm)	Equivalent length (m)	
	60/100	80/125
87° elbow	1.1	1.5
45° elbow	0.8	1.0
30° elbow	0.7	-
15° elbow	0.5	-
Straight inspection pipe	0.5	0.6
Inspection T	2.2	2.7
Inspection elbow	-	2.0
Condensates recup.	-	0.8

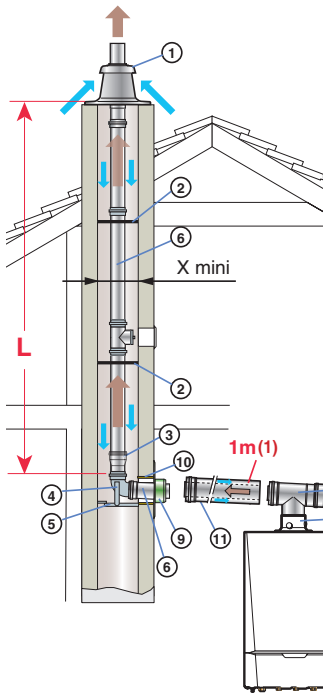
⇒ Alu/PPs flue systems accessories needed at the very least for connection to a vertical forced flue

Description	Diagrams with Dimensions/References	Boiler types	MODULENS G <sup>®</sup> AGC, TWINEO EGC, INNOVENS MCA	
		connect. Ø (mm)	60/100 (1)	80/125
		Package/Ref.		
Vertical forced flue Ø 60/100 mm (black or red)		DY928 7650968 (black) or DY929 7650969 (red)	X	
Vertical forced flue Ø 80/125 mm (black or red)		DY843 100002732 (black) or DY844 100002733 (red)		X
Adapter Ø 80/125 mm (replaces the adapter Ø 60/100 mm fitted as standard)		HR38 S100465		X

⇒ Other flue systems accessories available, see pages 92 (Alu/PPs) and 98 (common accessories)

# MODULENS G<sup>®</sup>, TWINEO, INNOVENS

## 3 CONFIGURATION C<sub>93X</sub> - CONCENTRIC ALU/PPs PIPES IN BOILER ROOM, SINGLE "RIGID" PPs PIPES IN CHIMNEY (COMBUSTIVE AIR IN COUNTER-CURRENT)



(1) For each additional metre of horizontal conduit, remove 1.2 m from the vertical length L<sub>max</sub> given in the table opposite.  
 (2) Or location (3) where appropriate

Boiler shown: MCA 35 connected with Ø 80/125 mm in boiler room and Ø 80 mm in the chimney

Boiler types	connect. Ø (mm)		L <sub>max</sub> (m)		
	- in boiler room	- to chimney	60/100	80	80/125
INNOVENS MCA 10			8.5	5.8	-
MODULENS G <sup>®</sup> AGC 10/15, 15 INNOVENS MCA 15			15	9.9	-
INNOVENS MCA 25			8.1	20	-
MODULENS G <sup>®</sup> AGC 25 TWINEO EGC 25 INNOVENS MCA 25/28 MI, 25/28 BIC			9	20	-
MODULENS G <sup>®</sup> AGC 35 INNOVENS MCA 35			2.8	18	20
x mini	⊘ (mm)		120	140	140
	⊘ (mm)		140	160	160

connect. Ø (mm)	Equivalent length (m)			
	60/100	80/125	60	80
87° elbow	1.1	1.5	1.1	1.9
45° elbow	0.8	1.0	0.6	1.2
30° elbow	0.7	-	0.9	0.4
15° elbow	0.5	-	0.6	0.2
Straight inspection pipe	0.5	0.6	0.3	0.3
Inspection T	2.2	2.7	2.9	4.2
Inspection elbow	-	2.0	-	1.9

⇒ Alu/PPs or PPs flue systems accessories needed at the very least for air/flue gas connections using rigid pipes in an existing chimney flue

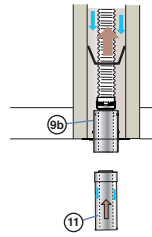
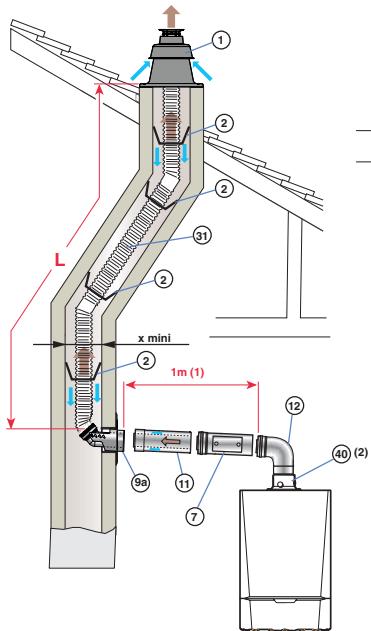
Description	Diagrams with Dimensions/References	Boiler types	MODULENS G <sup>®</sup> AGC, TWINEO EGC, INNOVENS MCA		INNOVENS MCA 35																										
		Ø connect. - in boiler room (mm)	60/100	60/100	60/100	60/100	80/125																								
		- in chimney	60	80	60	80	80																								
<b>Boiler connection kit Ø 60/100 mm</b>		DY702 84887702	X	X	X	X																									
<b>Boiler connection kit Ø 80/125 mm</b>	 <table border="1"> <tr><th></th><th>A</th><th>B</th><th>C</th><th>D</th><th>E</th></tr> <tr><td>DY 702</td><td>250</td><td>120</td><td>100</td><td>115</td><td>100</td></tr> <tr><td>DY 716</td><td>270</td><td>130</td><td>120</td><td>140</td><td>125</td></tr> </table>		A	B	C	D	E	DY 702	250	120	100	115	100	DY 716	270	130	120	140	125	DY716 84887716					X						
	A	B	C	D	E																										
DY 702	250	120	100	115	100																										
DY 716	270	130	120	140	125																										
<b>Chimney connection kit Ø 60 mm</b>		DY700 84887700	X		X																										
<b>Chimney connection kit Ø 80 mm with adapter Ø 60 mm to Ø 80 mm</b>		DY701 84887701		X		X																									
<b>Chimney connection kit Ø 80 mm</b>	 <table border="1"> <tr><th></th><th>A</th><th>B</th><th>C</th><th>D</th><th>E</th></tr> <tr><td>DY 700</td><td>60</td><td>60</td><td>110</td><td>120</td><td>180</td></tr> <tr><td>DY 701</td><td>60</td><td>80</td><td>110</td><td>120</td><td>180</td></tr> <tr><td>DY 717</td><td>80</td><td>80</td><td>120</td><td>130</td><td>210</td></tr> </table> * Only for DY 701		A	B	C	D	E	DY 700	60	60	110	120	180	DY 701	60	80	110	120	180	DY 717	80	80	120	130	210	DY717 84887717					X
	A	B	C	D	E																										
DY 700	60	60	110	120	180																										
DY 701	60	80	110	120	180																										
DY 717	80	80	120	130	210																										
<b>Adapter Ø 80/125 mm</b>		HR38 S100465					X																								

⇒ Other flue systems accessories available, see pages 92 (Alu/PPs), 94 (PPs rigid) and 98 (common accessories)

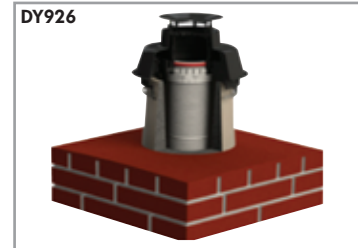


# MODULENS G<sup>®</sup>, TWINEO, INNOVENS

## 4 CONFIGURATION C93X - CONCENTRIC ALU/PPs PIPES IN BOILER ROOM, SINGLE « FLEX » PPs PIPES IN CHIMNEY (COMBUSTIVE AIR IN COUNTER-CURRENT)



We also offer an optional terminal Mitron for flex pipe (package DY926), in replacement of the terminal with flashing (see p. 95)



FUMIL\_F0130

FUMIL\_F0200

Boiler shown:  
MCA connected with Ø 80/125 mm in boiler room and Ø 80 mm in chimney

- (1) For each additional metre of horizontal conduit, remove 1.2 m from the vertical length L<sub>max</sub> given in the table opposite.
- (2) Or location (3) where appropriate

Boiler types	Connect. Ø (mm)	L <sub>max</sub> (m)
	- in boiler room - to chimney	80/125 80
INNOVENS MCA 10		6.9
MODULENS G <sup>®</sup> AGC 10/15, 15		11.1
INNOVENS MCA 15		20
INNOVENS MCA 25		20
MODULENS G <sup>®</sup> AGC 25		20
TWINEO EGC 17/29, 25		20
INNOVENS MCA 25/28 MI, 25/28 BIC		20
MODULENS G <sup>®</sup> AGC 35		20
INNOVENS MCA 35		20
	x mini	140
	∇ (mm) ∅ (mm)	160

Connect. Ø (mm)	Equivalent length (m)	
	80/125	80 flex
87° elbow	1.5	-
45° elbow	1.0	-
Straight inspection pipe	0.6	0.3
Inspection T	2.7	-
Inspection elbow	2.0	-
Condensates recup.	0.8	-

⇒ Alu/PPs and PPs flue systems accessories needed at the very least for connection using flex pipes in an existing chimney flue

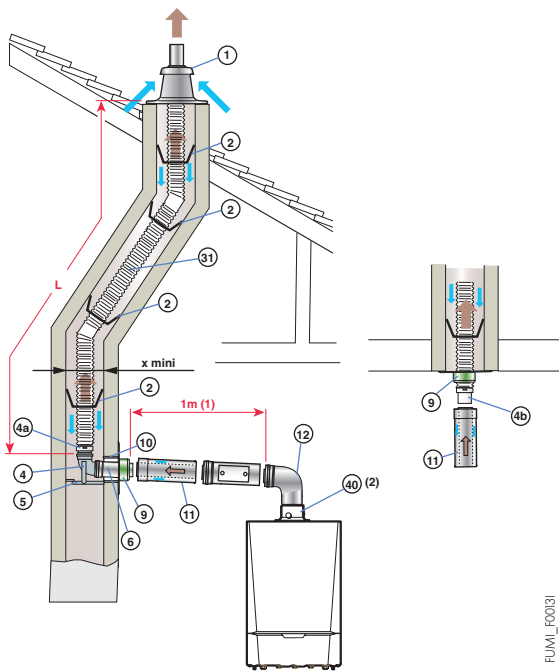
Description	Diagrams with Dimensions/References	Boiler types		MODULENS G <sup>®</sup> AGC, TWINEO EGC, INNOVENS MCA	
		Ø connect. (mm)		80/125	
		- in boiler room	- in chimney	80	80
Boiler connection Quick-kit Ø 80/125 mm perpendicular to the conduit		DY925 7650958	X		
Boiler connection Quick-kit Ø 80/125 mm under conduit		DY927 7650964			X
Air/flue gas vent with flashing for flex pipe		DY899 100015329			X
Adapter Ø 80/125 mm		HR38 S100465	X		X
Flex pipe Ø 80 mm Length 12.5 m (1)		DY897 100015327	X		X

(1) Other flex pipe lengths available see page 95

⇒ Other flue systems accessories available, see pages 92 (Alu/PPs), 95 (PPs flex) and 98 (common accessories)

# MODULENS G®, TWINEO, INNOVENS

## 4 CONFIGURATION C93X - CONCENTRIC ALU/PPS PIPES IN BOILER ROOM, SINGLE « FLEX » PPS PIPES IN CHIMNEY (COMBUSTIVE AIR IN COUNTER-CURRENT)



We also offer an optional terminal Mitron for flex pipe (package DY926), in replacement of the terminal with flashing (see p. 95)



Boiler types	connect. Ø (mm)		Lmax (m)
	- in boiler room	- to chimney	
INNOVENS MCA 10	80/125	80	6.9
MODULENS G® AGC 10/15, 15	80/125	80	11.1
INNOVENS MCA 15	80/125	80	20
INNOVENS MCA 25	80/125	80	20
MODULENS G® AGC 25	80/125	80	20
TWINEO EGC 25	80/125	80	20
INNOVENS MCA 25/28 MI, 25/28 BIC	80/125	80	20
MODULENS G® AGC 35	80/125	80	20
INNOVENS MCA 35	80/125	80	20
	x mini	140	
		160	

(1) For each additional metre of horizontal conduit, remove 1.2 m from the vertical length Lmax given in the table opposite.

(2) Or location ③ where appropriate

Boiler shown: MCA connected with Ø 80/125 mm in boiler room and Ø 80 mm in chimney

connect. Ø (mm)	Equivalent length (m)	
	80/125	80 flex
87° elbow	1.5	-
45° elbow	1.0	-
Straight inspection pipe	0.6	0.3
Inspection T	2.7	-
Inspection elbow	2.0	-
Condensates recup.	0.8	-

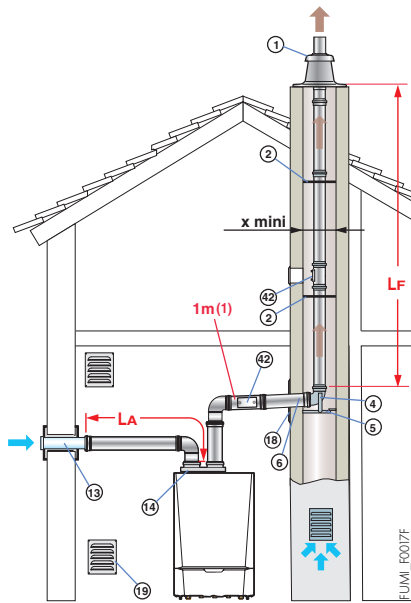
### ⇒ Alu/PPs and PPs flue systems accessories needed at the very least for connection using flex pipes in an existing chimney flue

Description	Diagrams with Dimensions/References	Boiler types	MODULENS G® AGC, TWINEO EGC, INNOVENS MCA	
			Ø connect. - in boiler room / - in chimney	
			80/125	80
Boiler connection kit Ø 80/125 mm perpendicular to the conduit	DY849  DY850			
Boiler connection kit Ø 80/125 mm under conduit		DY849 100003271	X	
Adapter flex pipe		DY904 100015880		X
Chimney connection kit Ø 80 mm		DY895 100015325	X	
Air/flue gas vent with flashing for flex pipe		DY899 100015329		X
Adapter Ø 80/125 to 60/100 mm	DY708	DY708 84887708		
Adapter Ø 80/125 mm	HR38	HR38 S100465	X	X
Flex pipe Ø 80 mm Length 12.5 m (1)		DY897 100015327	X	X

(1) Other flex pipe lengths available see page 95

# MODULENS G<sup>®</sup>, TWINEO, INNOVENS

## 5 CONFIGURATION C<sub>53</sub> - SEPARATE AIR AND FLUE GAS PIPES IN PPs (COMBUSTIVE AIR TAKEN FROM OUTSIDE)



**Lmax: (LA + LF) max.**

(1) For each additional metre of horizontal conduit, remove 1.2 m from the vertical length Lmax given in the table opposite.

Boiler shown: MCA

⚠ Configuration only allowed in boiler room

Boiler types	with adapter bi-flux (Ø mm)	Lmax (m) 60/100 to 2 x 80
MODULENS G <sup>®</sup> AGC 10/15, 15, 25 TWINEO EGC 25 INNOVENS MCA 10, 15, 25, 25/28 MI, 25/28 BIC		40
MODULENS G <sup>®</sup> AGC 35 INNOVENS MCA 35		32
	x mini □ (mm)	140
	Ø (mm)	160

connect. Ø (mm)	Equivalent length (m) 80 (PPs)
87° elbow	1.9
45° elbow	1.2
30° elbow	0.4
15° elbow	0.2
Straight inspection pipe	0.3
Inspection T	4.2

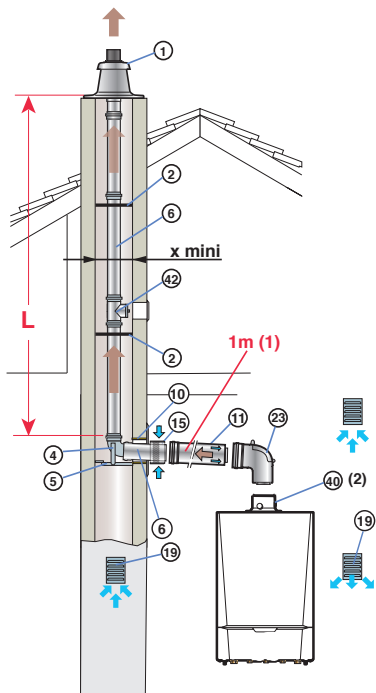
⇒ Alu flue systems accessories needed at the very least for connection using separate air/flue gas pipes (bi-flow)

Description	Diagrams with Dimensions/References	Boiler types	MODULENS G <sup>®</sup> AGC, TWINEO EGC, INNOVENS MCA
		Bi-flow adapter Ø (mm)	60/100 to 2 x 80
		Package/Ref.	
Bi-flow adapter Ø 60/100 mm to 2 x Ø 80 mm	(14)	DY868 100005825	X
Outside air intake Ø 80 mm	(13)	DY38 84887438	X
Chimney connection kit Ø 80 mm	(7)	DY717 84887717	X
Finishing plate for chimney Ø 80 mm	(18)	DY757 84887757	X

⇒ Other flue systems accessories available, see pages 94 (PPs rigid) and 98 (common accessories)

# MODULENS G<sup>®</sup>, TWINEO, INNOVENS

## 6 CONFIGURATION B<sub>23P</sub>/B<sub>33</sub> - CONNECTION TO A CHIMNEY USING ALU/PPs PIPES IN BOILER ROOM, SINGLE "RIGID" PPs PIPES IN CHIMNEY (COMBUSTIVE AIR TAKEN FROM THE BOILER ROOM)



(1) For each additional metre of horizontal conduit, remove 1.2 m from the vertical length L<sub>max</sub> given in the table opposite  
 (2) Or location ③ where appropriate

FUM\_F0021H

Boiler shown:  
MCA

Boiler types	connect. Ø		L <sub>max</sub> (m)
	- in boiler room	- to chimney	
MODULENS G <sup>®</sup> AGC 10/15, 15, 25, 35 TWINEO EGC 25 INNOVENS MCA 10, 15, 25, 35 25/28 MI, 25/28 BIC			80/125 80 rigid
	x mini	□ (mm)	140
		∅ (mm)	160

connect. Ø (mm)	Equivalent length (m)	
	80	80/125
87° elbow	1.9	1.5
45° elbow	1.2	1.0
Inspection T	4.2	2.7
Straight inspection pipe	0.3	0.6
Inspection elbow	1.9	2.0
Condensates recup.	1.3	0.8

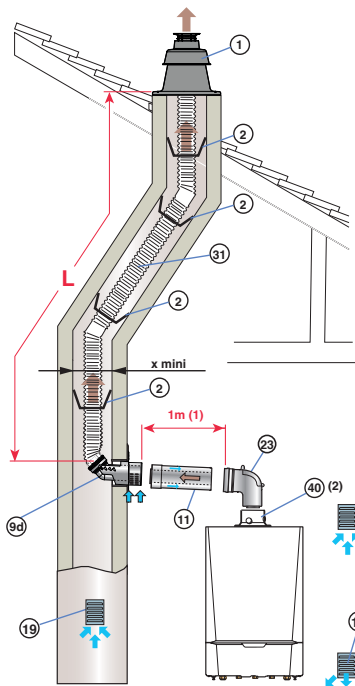
⇒ PPs flue systems accessories needed at the very least for chimney connection using rigid pipes

Description	Diagrams with Dimensions/References	Boiler types		MODULENS G <sup>®</sup> AGC, TWINEO EGC, INNOVENS MCA
		connect. Ø (mm)	- in boiler room - in chimney	
		Package/Ref.		
Boiler connection kit Ø 80/125 mm		DY913 100017527		X
Chimney connection kit Ø 80 mm rigid		DY717 84887717		X
Adapter Ø 80/125 mm		HR38 S100465		X

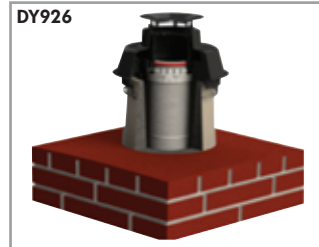
\*ther flue systems accessories available, see pages 92 (Alu/PPs), 94 (PPs rigid) and 98 (common accessories)

# MODULENS G<sup>®</sup>, TWINEO, INNOVENS

## 6 CONFIGURATION B<sub>23p</sub>/B<sub>33</sub> - CONNECTION TO A CHIMNEY USING ALU/PPS PIPES IN BOILER ROOM, SINGLE "RIGID" PPS PIPES IN CHIMNEY (COMBUSTIVE AIR TAKEN FROM THE BOILER ROOM)



We also offer an optional terminal Mitron for flex pipe (package DY926), in replacement of the terminal with flashing (see p. 95)



- (1) For each additional metre of horizontal conduit, remove 1.2 m from the vertical length L<sub>max</sub> given in the table opposite.
- (2) Or location (3) where appropriate

Boiler shown: MCA

Boiler types	Ø connect. (mm)	L <sub>max</sub> (m)
	- in boiler room	80/125
	- in chimney	80 flex
MODULENS G <sup>®</sup> AGC 10/15, 15, 25 TWINEO EGC 17/29, 25 INNOVENS MCA 10, 15, 25, 25/28 MI, 25/28 BIC		40 (*)
MODULENS G <sup>®</sup> AGC 35 INNOVENS MCA 35		28 (*)
	x mini	140
	Ø (mm)	160

(\*) ⚠ The max height in the flue gas conduit from the support elbow to the outlet must not exceed 25 m (PPs flex). If greater lengths are used, fastening clamps should be added every 25 m.

Connect. Ø (mm)	Equivalent length (m)		
	80 rigid	80 flex	80/125
87° elbow	1.9	-	1.5
45° elbow	1.2	-	1.0
30° elbow	0.4	-	-
15° elbow	0.2	-	-
Inspection T	4.2	-	2.7
Straight inspection pipe	0.3	0.3	0.6
Inspection elbow	1.9	-	2.0
Condensates recup.	1.3	-	0.8

⇒ PPs flue systems accessories needed at the very least for chimney connection using rigid pipes in boiler room and flex pipes in the chimney in configuration B<sub>23p</sub>/B<sub>33</sub>

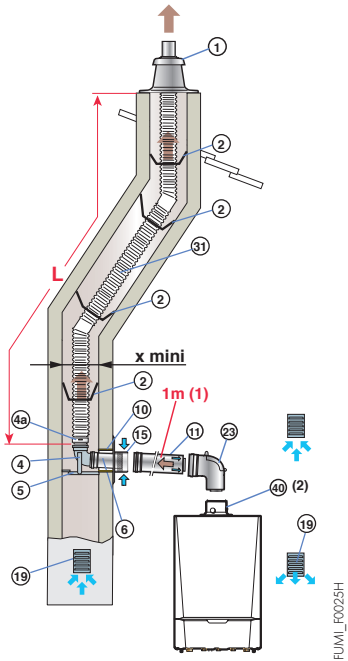
Description	Diagrams with Dimensions/References	Boiler types		MODULENS G <sup>®</sup> AGC, TWINEO EGC, INNOVENS MCA	
		Ø connect. (mm)	- in boiler room	80/125	
			- in chimney	80	
		Package/Ref.			
Boiler connection Quick-kit Ø 80/125 mm				DY924 7650956	X
Adapter Ø 80/125 mm				HR38 S100465	X
Flex pipe Ø 80 mm Length 12.5 m (1)				DY897 100015327	X

(1) Other flex pipe lengths available see page 95

⇒ Other flue systems accessories available, see pages 92 (Alu/PPs), 95 (PPs flex) and 98 (common accessories)

# MODULENS G<sup>®</sup>, TWINEO, INNOVENS

## 6 CONFIGURATION B<sub>23P</sub>/B<sub>33</sub> - CONNECTION TO A CHIMNEY USING ALU/PPs PIPES IN BOILER ROOM, SINGLE "FLEX" PPs PIPES IN CHIMNEY (COMBUSTIVE AIR TAKEN FROM THE BOILER ROOM)



We also offer an optional terminal Mitron for flex pipe (package DY926), in replacement of the terminal with flashing (see p. 95)



- (1) For each additional metre of horizontal conduit, remove 1.2 m from the vertical length L<sub>max</sub> given in the table opposite.
- (2) Or location (3) where appropriate

Boiler shown:  
MCA

Boiler types	connect. Ø (mm)	L <sub>max</sub> (m)
	- in boiler room - to chimney	80/125 80 flex
MODULENS G <sup>®</sup> AGC 10/15, 15, 25 TWINEO EGC 25 INNOVENS MCA 10, 15, 25, 25/28 MI, 25/28 BIC		40 (*)
MODULENS G <sup>®</sup> AGC 35 INNOVENS MCA 35		28 (*)
	x mini	
	□ (mm)	140
	Ø (mm)	160

(\*) ⚠ The max height in the flue gas conduit from the support elbow to the outlet must not exceed 25 m (PPs flex). If greater lengths are used, fastening clamps should be added every 25 m.

connect. Ø (mm)	Equivalent length (m)		
	80 rigid	80 flex	80/125
87° elbow	1.9	-	1.5
45° elbow	1.2	-	1.0
30° elbow	0.4	-	-
15° elbow	0.2	-	-
Inspection T	4.2	-	2.7
Straight inspection pipe	0.3	0.3	0.6
Inspection elbow	1.9	-	2.0
Condensates recup.	1.3	-	0.8

⇒ PPs flue systems accessories needed at the very least for connection to the chimney using rigid pipes in the boiler room and flex pipes in the chimney in configuration B<sub>23P</sub>/B<sub>33</sub>

Description	Diagrams with Dimensions/References	Boiler types	
		MODULENS G <sup>®</sup> AGC, TWINEO EGC, INNOVENS MCA	
		connect. Ø - in boiler room (mm)	80/125
		- in chimney	80
		Package/Ref.	
Boiler connection kit Ø 80/125 mm		DY913 100017527	X
Chimney connection kit Ø 80 mm flex		DY895 100015325	X
Adapter Ø 80/125 mm		HR38 S100465	X
Flex pipe Ø 80 mm Length 12.5 m (1)		DY897 100015327	X

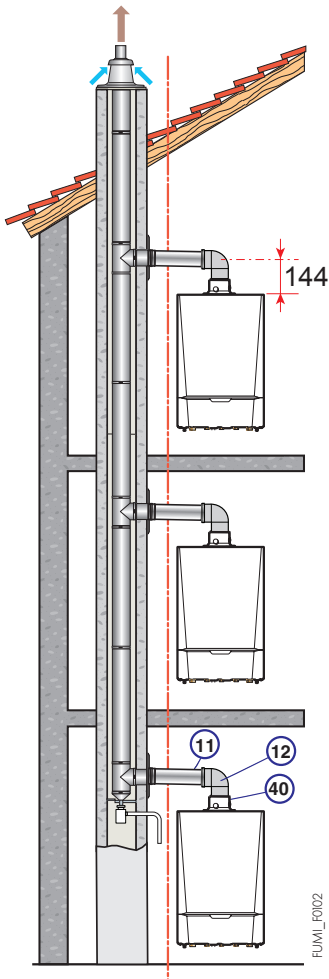
(1) Other flex pipe lengths available see page 95

⇒ Other flue systems accessories available, see pages 92 (Alu/PPs) and 95 (PPs flex) and 98 (common accessories)

# MODULENS G<sup>®</sup>, TWINEO, INNOVENS

## 12 CONFIGURATION C<sub>43X</sub> - CONNECTING A FORCED FLUE BOILER TO A SHARED FLUE SYSTEM

To size such a system, contact the flue system supplier



**Note:**

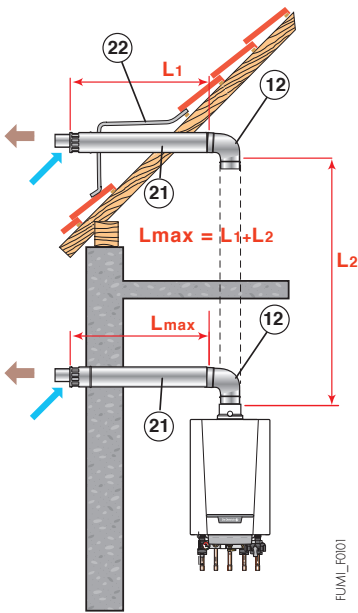
It is possible to put boilers with differing outputs on the same conduit, consult the conduit manufacturer.

⇒ Alu/PPs flue systems accessories needed at the very least for connection to a collective conduit

Description	Diagrams with Dimensions/References	Boiler types	INNOVENS MCA, MODULENS G <sup>®</sup> AGC, TWINEO EGC
		Package/Ref.	
Boiler connection kit on a shared flue system Ø 80/125 mm		DY887 100014000	X

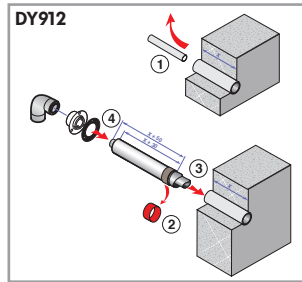
⇒ Other flue systems accessories available, see pages 92 (Alu/PPs)

## 1 CONFIGURATION C<sub>13X</sub> - CONCENTRIC HORIZONTAL FORCED FLUE ALU/PPs (CONNECTION TO AN EXTERNAL WALL OR A ROOF OUTLET)



FUMI\_F001

**Solution for renovation project:**  
Ideal when replacing an existing boiler with a condensing boiler. The horizontal "Retrofit" forced flue Ø 60/95 mm (DY912) can be inserted into an existing Ø 100 mm conduit.



Boiler shown:  
EMC-M connected to the horizontal forced flue Ø 60/100 mm (package DY871)

Boiler types	connect. Ø (mm)	
	60/100	80/125
NANEO EMC-M 24, NANEO PMC-M 24 PLUS	7	21.5
NANEO EMC-M 24/28 MI, NANEO PMC-M 24/28 MI PLUS	7	25.5
NANEO EMC-M 30/35 MI, NANEO PMC-M 30/35 MI PLUS	3	11.5
NANEO EMC-M 34/39 MI, NANEO PMC-M 34/39 MI PLUS	3	9.5

connect. Ø (mm)	Equivalent length (m)	
	60/100	80/125
87° elbow	1.1	1.5
45° elbow	0.8	1.0
30° elbow	0.7	-
15° elbow	0.5	-
Straight inspection pipe	0.5	0.6
Inspection T	2.2	2.7
Inspection elbow	-	2.0
Condensates recup.	-	0.8

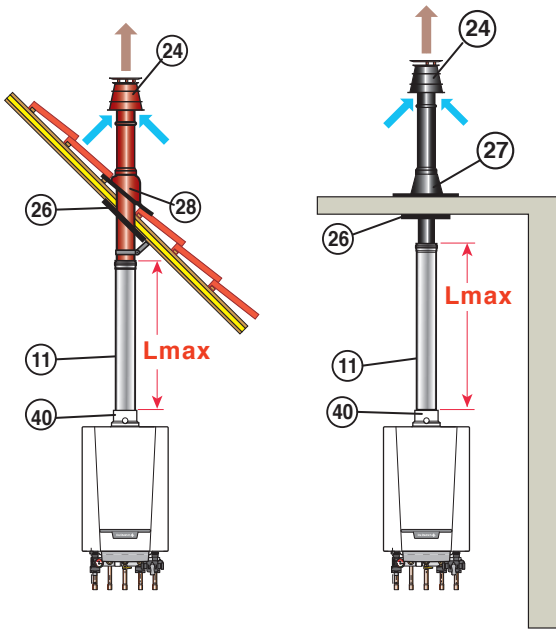
### ⇨ Alu/PPs flue systems accessories needed at the very least for connection to a horizontal forced flue

Where used	Description	Diagrams with Dimensions/References	Boiler types	NANEO EMC-M...MI PMC-M...MI		NANEO EMC-M 24 PMC-M 24	
			connect. Ø (mm)	60/100	80/125	60/100	80/125
			Package/Ref.				
In new installations with EMC-M boiler or to replace an existing boiler type... with a EMC-M... MI boiler <b>without</b> take up of the forced flue outlet	<b>Horizontal forced flue Ø 60/100 mm</b> with 87° elbow <b>Note:</b> installation of an inspection pipe (package DY689) between the terminal and the elbow is recommended		DY871 100008296	X		X	
To replace an existing boiler type... with a EMC-M... MI boiler <b>with</b> take-up of the forced flue outlet	<b>Horizontal forced flue Ø 60/100 mm</b> without elbow <b>Note:</b> installation of an inspection pipe (package DY 689) between the terminal and the elbow is recommended		DY920 100019963	X			
	<b>Reduction elbow Ø 60/100 mm</b>		HR67 S101712	X			
<b>Horizontal forced flue Ø 80/125 mm</b> with inspection elbow			DY882 100011365		X		X
<b>Adapter Ø 80/125 mm</b> (replaces the adapter Ø 60/100 mm fitted as standard)			HR68 S101688		X		X

### ⇨ Other flue systems accessories available, see pages 92 (Alu/PPs) and 98 (common accessories)



## 2 CONFIGURATION C<sub>33X</sub> - CONCENTRIC VERTICAL FORCED FLUE Alu/PPs (CONNECTION TO SLOPING ROOF OR FLAT ROOF)



Boiler shown:  
EMC-M connected to  
the vertical forced flue  
Ø 80/125 mm (package  
DY843) + Adapter  
Ø 80/125 mm (package  
HR38)

Boiler types	connect. Ø (mm)	Lmax (m)	
		60/100	80/125
NANEO EMC-M 24, NANEO PMC-M 24 PLUS	9	9	19.5
NANEO EMC-M 24/28 MI, NANEO PMC-M 24/28 MI PLUS	9	9	24
NANEO EMC-M 30/35 MI, NANEO PMC-M 30/35 MI PLUS	5	5	13.5
NANEO EMC-M 34/39 MI, NANEO PMC-M 34/39 MI PLUS	5	5	11.5

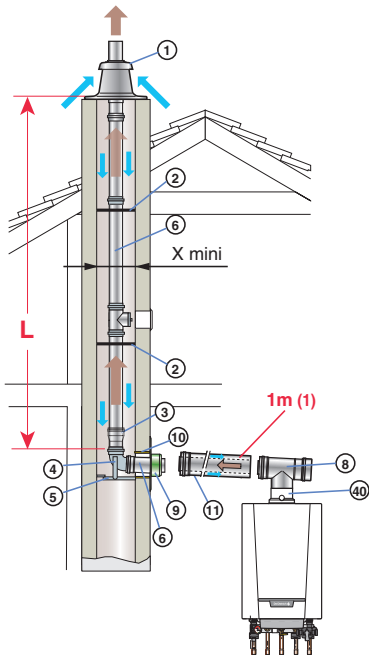
connect. Ø (mm)	Equivalent length (m)	
	60/100	80/125
87° elbow	1.1	1.5
45° elbow	0.8	1.0
30° elbow	0.7	
15° elbow	0.5	
Straight inspection pipe	0.5	0.6
Inspection T	2.2	2.7
Inspection elbow	-	2.0
Condensates recup.	-	0.8

⇒ Alu/PPs flue systems accessories needed at the very least for connection to a vertical forced flue

Description	Diagrams with Dimensions/References	Boiler types	NANEO EMC-M, PMC-M	
		connect. Ø (mm)	60/100	80/125
		Package/Ref.		
Vertical forced flue Ø 60/100 mm (black or red)	or	DY928 7650968 (black) or DY929 7650969 (red)	X	
Vertical forced flue Ø 80/125 mm (black or red)	or	DY843 100002732 (black) or DY844 100002733 (red)		X (I)
Adapter Ø 80/125 mm (replaces the adapter Ø 60/100 mm fitted as standard)	40	HR68 S101688		X

⇒ Other flue systems accessories available, see pages 92 (Alu/PPs) and 98 (common accessories)

### 3 CONFIGURATION C93X - CONCENTRIC ALU/PPS PIPES IN BOILER ROOM, SINGLE "RIGID" PPS PIPES IN CHIMNEY (COMBUSTIVE AIR IN COUNTER-CURRENT)



connect. Ø (mm)	Equivalent length (m)	
	80/125	80
87° elbow	1.5	1.9
45° elbow	1.0	1.2
30° elbow	-	0.4
15° elbow	-	0.2
Straight inspection pipe	0.6	0.3
Inspection T	2.7	4.2
Inspection elbow	2.0	1.9

(1) For each additional metre of horizontal conduit, remove 1.2 m from the vertical length L<sub>max</sub> given in the table opposite.

Boiler types	connect. Ø (mm)		L <sub>max</sub> (m)
	- in boiler room	- to chimney	
NANEO EMC-M 24, NANEO PMC-M 24 PLUS	80/125	80	18
NANEO EMC-M 24/28 MI, NANEO PMC-M 24/28 MI PLUS	80/125	80	23
NANEO EMC-M 30/35 MI, NANEO PMC-M 30/35 MI PLUS	80/125	80	19
NANEO EMC-M 34/39 MI, NANEO PMC-M 34/39 MI PLUS	80/125	80	17
x mini	Ø (mm)	Ø (mm)	140
			160

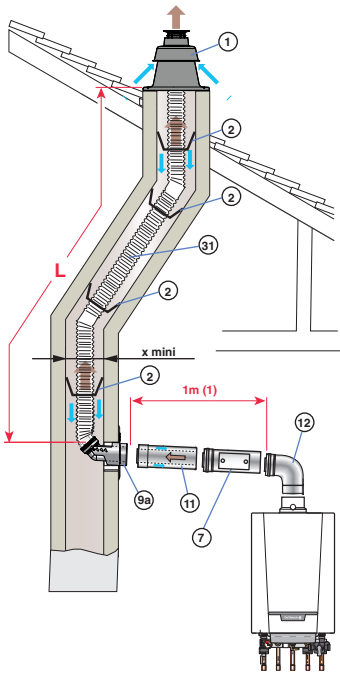
FUMI\_F0104A  
Boiler shown:  
EMC-M connected with Ø 80/125 mm in boiler room and Ø 80 mm to chimney

⇒ Alu/PPs or PPs flue systems accessories needed at the very least for air/flue gas connections using rigid pipes in an existing chimney flue

Description	Diagrams with Dimensions/References	Boiler types	
		Ø connect. (mm)	NANEO EMC-M NANEO PMC-M
Boiler connection kit Ø 80/125 mm		- in boiler room - in chimney	80/125 80
Chimney connection kit Ø 80 mm			X
Adapter Ø 80/125 mm (replaces the adapter Ø 60/100 mm fitted as standard)			X

⇒ Other flue systems accessories available, see pages 92 (Alu/PPs), 94 (PPs rigid) and 98 (common accessories)

## 4 CONFIGURATION C93X - CONCENTRIC ALU/PPs PIPES IN BOILER ROOM, SINGLE « FLEX » PPs PIPES IN CHIMNEY (COMBUSTIVE AIR IN COUNTER-CURRENT)



We also offer an optional terminal Mitron for flex pipe (package DY926), in replacement of the terminal with flashing (see p. 95)



FUMI\_F0130

Boiler types	Connect. Ø (mm)	Lmax (m)
	- in boiler room - to chimney	
NANEO EMC-M 24 PMC-M 24 PLUS	80/125	20
NANEO EMC-M 24/28 MI PMC-M 24/28 MI PLUS PMC-M 20/28 MI	80/125	25
NANEO EMC-M 30/35 MI PMC-M 30/35 MI PLUS	80/125	15
NANEO EMC-M 34/39 MI PMC-M 34/39 MI PLUS PMC-M 25/39 MI	80/125	13
	x mini	
	□ (mm)	140
	∅ (mm)	160

(I) For each additional metre of horizontal conduit, remove 1.2 m from the vertical length Lmax given in the table opposite.

FUMI\_F0203

Boiler shown :  
EMC-M connected with Ø 80/125 mm in boiler room and Ø 80 mm to chimney

Connect. Ø (mm)	Equivalent length (m)	
	80/125	80 flex
87° elbow	1.5	-
45° elbow	1.0	-
Straight inspection pipe	0.6	0.3
Inspection T	2.7	-
Inspection elbow	2.0	-
Condensates recup.	0.8	-

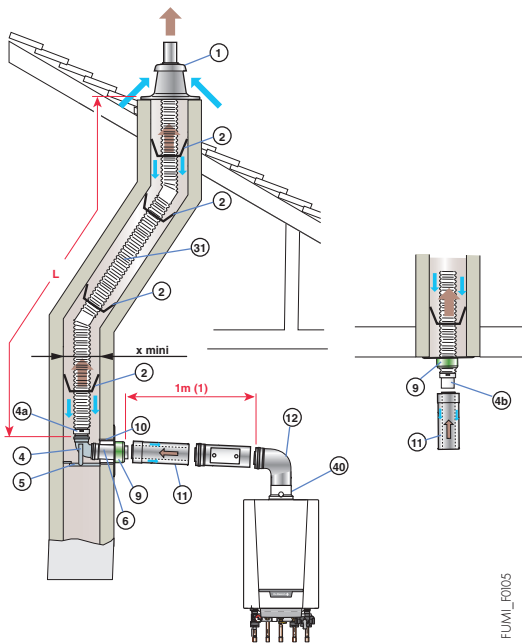
⇒ Alu/PPs and PPs flue systems accessories needed at the very least for connection using flex pipes in an existing chimney flue

Description	Diagrams with Dimensions/References	Boiler types		NANEO EMC-M, PMC-M	
		Ø connect. - in boiler room (mm)		80/125	
		- in chimney	Package/Ref.	perpendicular to the conduit	in conduit
Boiler connection Quick-kit Ø 80/125 mm perpendicular to the conduit			DY925 7650958	X	
Boiler connection Quick-kit Ø 80/125 mm under conduit			DY927 7650964		X
Air/flue gas vent with flashing for flex pipe			DY899 100015329		X
Adapter Ø 80/125 mm (replaces the adapter Ø 60/100 mm fitted as standard)			HR68 S101688	X	X
Flex pipe Ø 80 mm Length 12.5 m (I)			DY897 100015327	X	X

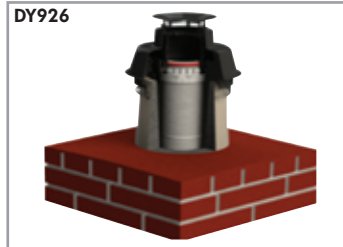
(I) Other flex pipe lengths available see page 95

⇒ Other flue systems accessories available, see pages 92 (Alu/PPs), 95 (PPs flex) and 98 (common accessories)

## 4 CONFIGURATION C93X - CONCENTRIC ALU/PPS PIPES IN BOILER ROOM, SINGLE « FLEX » PPS PIPES IN CHIMNEY (COMBUSTIVE AIR IN COUNTER-CURRENT)



We also offer an optional terminal Mitron for flex pipe (package DY926), in replacement of the terminal with flashing (see p. 95)



Boiler types	connect. Ø (mm)		Lmax (m)
	- in boiler room	- to chimney	
NANEO EMC-M 24, NANEO PMC-M 24 PLUS	80/125	80	20
NANEO EMC-M 24/28 MI, NANEO PMC-M 24/28 MI PLUS	80/125	80	25
NANEO EMC-M 30/35 MI, NANEO PMC-M 30/35 MI PLUS	80/125	80	15
NANEO EMC-M 34/39 MI, NANEO PMC-M 34/39 MI PLUS	80/125	80	13
	x mini	□ (mm)	140
		Ø (mm)	160

(I) For each additional metre of horizontal conduit, remove 1.2 m from the vertical length Lmax given in the table opposite.

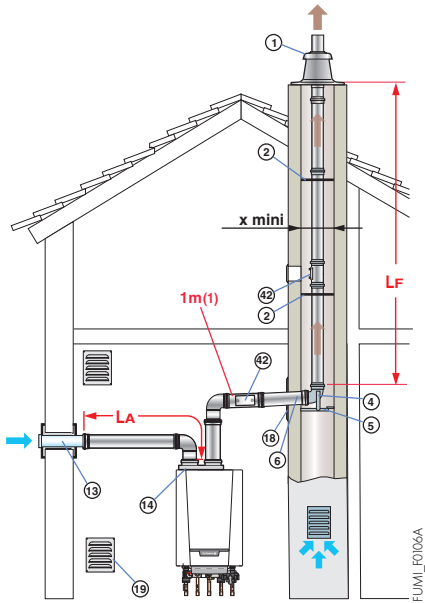
Boiler shown:  
EMC-M connected with Ø 80/125 mm in boiler room and Ø 80 mm in chimney

connect. Ø (mm)	Equivalent length (m)	
	80/125	80 flex
87° elbow	1.5	-
45° elbow	1.0	-
Straight inspection pipe	0.6	0.3
Inspection T	2.7	-
Inspection elbow	2.0	-
Condensates recup.	0.8	-

⇒ Alu/PPS and PPS flue systems accessories needed at the very least for connection using flex pipes in an existing chimney flue

Description	Diagrams with Dimensions/References	Boiler types		NANEO EMC-M/PMC-M	
		Ø connect. (mm)		80/125	
		- in boiler room	- in chimney	perpendicular to the conduit	in conduit
Boiler connection kit Ø 80/125 mm perpendicular to the conduit	DY849 	DY 850 	DY849 100003271	X	
Boiler connection kit Ø 80/125 mm under conduit			DY850 10003272		X
Adapter flex pipe		(4b)	DY904 100015880		X
Chimney connection kit Ø 80 mm			DY895 100015325	X	
Air/flue gas vent with flashing for flex pipe		(1)	DY899 100015329		X
Adapter Ø 80/125 mm (replaces the adapter Ø 60/100 mm fitted as standard)		(40)	HR68 S101688	X	X
Flex pipe Ø 80 mm Length 12,5 m (I)		(31)	DY897 100015327	X	X

## 5 CONFIGURATION C<sub>53</sub> - SEPARATE AIR AND FLUE GAS PIPES IN PPs (COMBUSTIVE AIR TAKEN FROM OUTSIDE)



**L<sub>max</sub>: (LA + LF) max.**

(1) For each additional metre of horizontal conduit, remove 1.2 m from the vertical length L<sub>max</sub> given in the table opposite.

Boiler shown:  
EMC-M

⚠ Configuration only allowed in boiler room

Boiler types	with adapter bi-flux (Ø mm)	L <sub>max</sub> (m) 60/100 to 2 x 80
NANEO EMC-M 24, NANEO PMC-M 24 PLUS		40
NANEO EMC-M 24/28 MI, NANEO PMC-M 24/28 MI PLUS		40
NANEO EMC-M 30/35 MI, NANEO PMC-M 30/35 MI PLUS		21.5
NANEO EMC-M 34/39 MI, NANEO PMC-M 34/39 MI PLUS		18
x mini	□ (mm)	140
	∅ (mm)	160

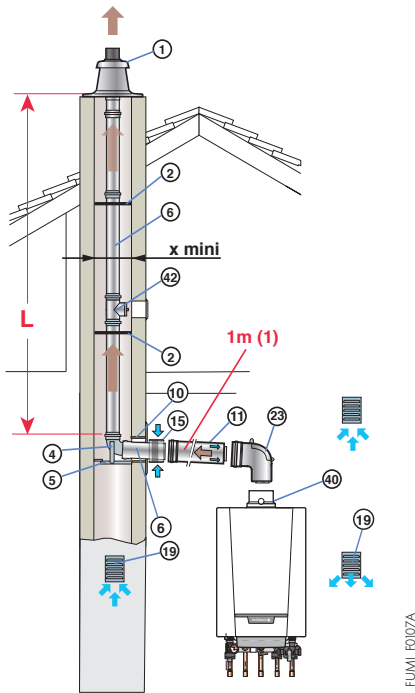
connect. Ø (mm)	Equivalent length (m) 80 (Alu)
87° elbow	1.9
45° elbow	1.2
30° elbow	0.4
15° elbow	0.2
Straight inspection pipe	0.3
Inspection T	4.2

⇒ Alu flue systems accessories needed at the very least for connection using separate air/flue gas pipes (bi-flow)

Description	Diagrams with Dimensions/References	Boiler types	NANEO EMC-M NANEO PMC-M
		Bi-flow adapter Ø (mm)	60/100 to 2 x 80
		Package/Ref.	
Bi-flow adapter Ø 60/100 mm to 2 x Ø 80 mm	(14)	HR70 S101711	X
Outside air intake Ø 80 mm	(13)	DY38 84887438	X
Chimney connection kit Ø 80 mm	(18)	DY717 84887717	X
Finishing plate for chimney Ø 80 mm	(18)	DY757 84887757	X

⇒ Other flue systems accessories available, see pages 94 (PPs rigid) and 98 (common accessories)

## 6 CONFIGURATION B<sub>23P</sub>/B<sub>33</sub> - CONNECTION TO A CHIMNEY USING ALU/PPs PIPES IN BOILER ROOM, SINGLE "RIGID" PPs PIPES IN CHIMNEY (COMBUSTIVE AIR TAKEN FROM THE BOILER ROOM)



(1) For each additional metre of horizontal conduit, remove 1.2 m from the vertical length L<sub>max</sub> given in the table opposite

Boiler shown:  
EMC-M

Boiler types	connect. Ø		L <sub>max</sub> (m)
	- in boiler room	- to chimney	
NANEO EMC-M 24, NANEO PMC-M 24 PLUS			40
NANEO EMC-M 24/28 MI, NANEO PMC-M 24/28 MI PLUS			40
NANEO EMC-M 30/35 MI, NANEO PMC-M 30/35 MI PLUS			33
NANEO EMC-M 34/39 MI, NANEO PMC-M 34/39 MI PLUS			29
	x mini	∇ (mm)	140
		∅ (mm)	160

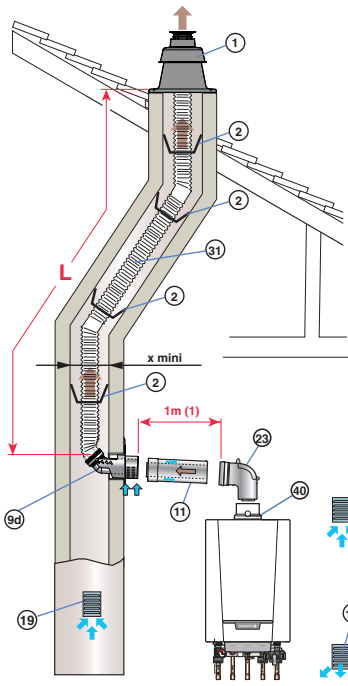
connect. Ø (mm)	Equivalent length (m)	
	80	80/125
87° elbow	1.9	1.5
45° elbow	1.2	1.0
30° elbow	0.4	-
15° elbow	0.2	-
Inspection T	4.2	2.7
Straight inspection pipe	0.3	0.6
Inspection elbow	1.9	2.0
Condensates recup.	1.3	0.8

⇒ PPs flue systems accessories needed at the very least for chimney connection using rigid pipes

Description	Diagrams with Dimensions/References	Boiler types	
		NANEO EMC-M NANEO PMC-M	
		connect. Ø (mm)	
<b>Boiler connection kit Ø 80/125 mm</b>		- in boiler room	80/125
		- in chimney	80
		Package/Ref.	
<b>Boiler connection kit Ø 80/125 mm</b>			
<b>Chimney connection kit Ø 80 mm rigid</b>			
<b>Adapter Ø 80/125 mm</b> (replaces the adapter Ø 60/100 mm fitted as standard)			
		DY913 100017527	X
		DY717 84887717	X
		HR68 S101688	X

⇒ Other flue systems accessories available, see pages 92 (Alu/PPs), 94 (PPs rigid) and 98 (common accessories)

## 6 CONFIGURATION B<sub>23p</sub>/B<sub>33</sub> - CONNECTION TO A CHIMNEY USING ALU/PPs PIPES IN BOILER ROOM, SINGLE "RIGID" PPs PIPES IN CHIMNEY (COMBUSTIVE AIR TAKEN FROM THE BOILER ROOM)



We also offer an optional terminal Mitron for flex pipe (package DY926), in replacement of the terminal with flashing (see p. 95)



FUJMI\_F030

(I) For each additional metre of horizontal conduit, remove 1.2 m from the vertical length L<sub>max</sub> given in the table opposite

Boiler shown: EMC-M

Boiler types	Ø connect. (mm)	L <sub>max</sub> (m)
	- in boiler room - in chimney	80/125 80 flex
NANEO EMC-M 24 PMC-M 24 PLUS		39*
NANEO EMC-M 24/28 MI PMC-M 24/28 MI PLUS		40*
NANEO EMC-M 30/35 MI PMC-M 30/35 MI PLUS		21
NANEO EMC-M 34/39 MI PMC-M 34/39 MI PLUS		18
	□ (mm)	140
	Ø (mm)	160

(\*) ⚠ The max height in the flue gas conduit from the support elbow to the outlet must not exceed 25 m (PPs flex). If greater lengths are used, fastening clamps should be added every 25 m.

Connect. Ø (mm)	Equivalent length (m)		
	80 rigid	80 flex	80/125
87° elbow	1.9	-	1.5
45° elbow	1.2	-	1.0
30° elbow	0.4	-	-
15° elbow	0.2	-	-
Inspection T	4.2	-	2.7
Straight inspection pipe	0.3	0.3	0.6
Inspection elbow	1.9	-	2.0
Condensates recup.	1.3	-	0.8

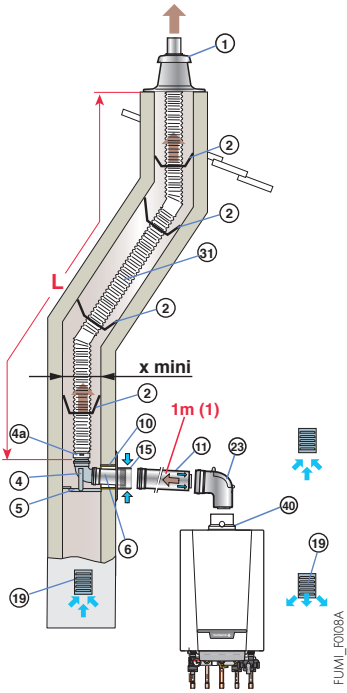
⇒ PPs flue systems accessories needed at the very least for connection to the chimney using rigid pipes in the boiler room and flex pipes in the chimney in configuration B<sub>23p</sub>/B<sub>33</sub>

Description	Diagrams with Dimensions/References	Boiler types	
		Ø connect. (mm)	NANEO EMC-M, PMC-M
		- in boiler room - in chimney	80/125 80
<b>Boiler connection Quick-kit Ø 80/125 mm</b>		DY924 7650956	X
<b>Adapter Ø 80/125 mm</b> (replaces the adapter Ø 60/100 mm fitted as standard)		HR68 S101688	X
<b>Flex pipe Ø 80 mm</b> Length 12.5 m (I)		DY897 100015327	X

(I) Other flex pipe lengths available see page 95

⇒ Other flue systems accessories available, see pages 92 (Alu/PPs), 95 (PPs flex) and 98 (common accessories)

## 6 CONFIGURATION B<sub>23P</sub>/B<sub>33</sub> - CONNECTION TO A CHIMNEY USING ALU/PPs PIPES IN BOILER ROOM, SINGLE "FLEX" PPs PIPES IN CHIMNEY (COMBUSTIVE AIR TAKEN FROM THE BOILER ROOM)



connect. Ø (mm)	Equivalent length (m)		
	80 rigid	80 flex	80/125
87° elbow	1.9	-	1.5
45° elbow	1.2	-	1.0
30° elbow	0.4	-	-
15° elbow	0.2	-	-
Inspection T	4.2	-	2.7
Straight inspection pipe	0.3	0.3	0.6
Inspection elbow	1.9	-	2.0
Condensates recup.	1.3	-	0.8

We also offer an optional terminal Mitron for flex pipe (package DY926), in replacement of the terminal with flashing (see p. 95)



(1) For each additional metre of horizontal conduit, remove 1.2 m from the vertical length Lmax given in the table opposite.

Boiler shown:  
EMC-M

Boiler types	connect. Ø (mm)		Lmax (m)
	- in boiler room	- to chimney	
NANEO EMC-M 24, NANEO PMC-M 24 PLUS			39*
NANEO EMC-M 24/28 MI, NANEO PMC-M 24/28 MI PLUS			40*
NANEO EMC-M 30/35 MI, NANEO PMC-M 30/35 MI PLUS			21
NANEO EMC-M 34/39 MI, NANEO PMC-M 34/39 MI PLUS			18
x mini	□ (mm)		140
	∅ (mm)		160

(\*) ⚠ The max height in the flue gas conduit from the support elbow to the outlet must not exceed 25 m (PPs flex). If greater lengths are used, fastening clamps should be added every 25 m.

⇒ PPs flue systems accessories needed at the very least for connection to the chimney using rigid pipes in the boiler room and flex pipes in the chimney in configuration B<sub>23P</sub>/B<sub>33</sub>

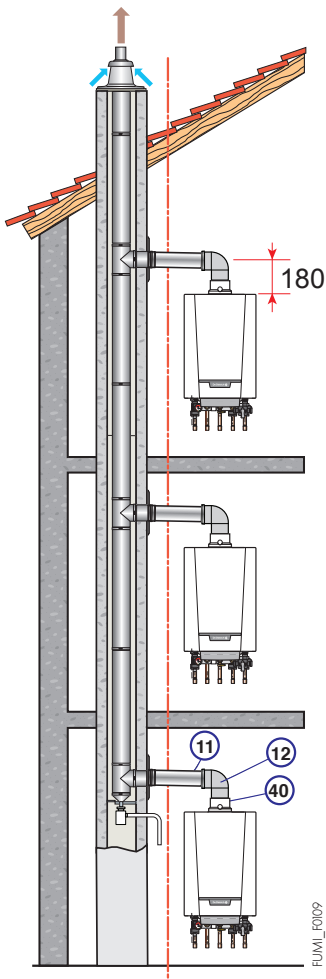
Description	Diagrams with Dimensions/References	Boiler types	
		NANEO EMC-M NANEO PMC-M	
		connect. Ø - in boiler room (mm)	80/125
		- in chimney	80
		Package/Ref.	
Boiler connection kit Ø 80/125 mm		DY913 100017527	X
Chimney connection kit Ø 80 mm flex		DY895 100015325	X
Adapter Ø 80/125 mm (replaces the adapter Ø 60/100 mm fitted as standard)		HR68 S101688	X
Flex pipe Ø 80 mm Length 12,5 m (I)		DY897 100015327	X

(I) Other flex pipe lengths available see page 95

⇒ Other flue systems accessories available, see pages 92 (Alu/PPs) and 95 (PPs flex) and 98 (common accessories)



## 12 CONFIGURATION C<sub>43X</sub> - CONNECTING A FORCED FLUE BOILER TO A SHARED FLUE SYSTEM



To size such a system, contact the flue system supplier

**Note:** it is possible to put boilers with differing outputs on the same conduit, consult the conduit manufacturer.

⇒ Examples of a shared flue system sizing - inside the building

### Number of gas appliances connectable

Ø of the collective conduit (mm) (internal/external)		Boiler types EMC-M/PMC-M			
		24	20/28 MI 24/28 MI	30/35 MI	25/39 MI 34/39 MI
100/150	- straight	3	3	2	2
	- with deviating	3	3	2	2
130/200	- straight	6	6	5	4
	- with deviating	6	5	4	4
180/250	- straight	10	10	8	7
	- with deviating	9	9	7	7
230/350	- straight	15	15	15	15
	- with deviating	15	15	15	14

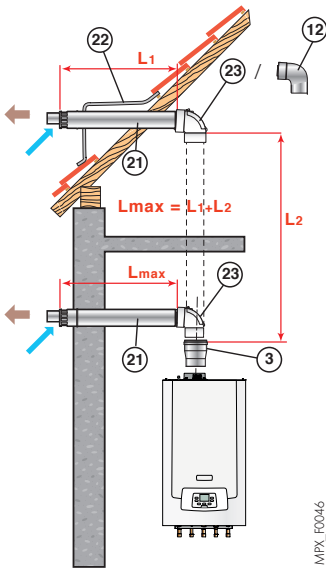
Calculations have been made according to the EN 15287 standard with:  
2.7 metres floor height.  
2 metres of Ø 80/125 mm connection pipe and two 90° elbows.

⇒ Alu/PPs flue systems accessories needed at the very least for connection to a collective conduit

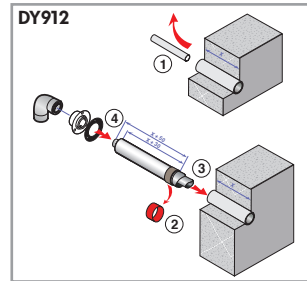
Description	Diagrams with Dimensions/References	Boiler types	NANEO EMC-M NANEO PMC-M
		Package/Ref.	
Boiler connection kit on a shared flue system Ø 80/125 mm		DY921 100020019	X

⇒ Other flue systems accessories available, see pages 92 (Alu/PPs)

## 1 CONFIGURATION C<sub>13X</sub> - CONCENTRIC HORIZONTAL FORCED FLUE ALU/PPs (CONNECTION TO AN EXTERNAL WALL OR A ROOF OUTLET)



**Solution for renovation project:**  
Ideal when replacing an existing boiler with a condensing boiler. The horizontal "Retrofit" forced flue Ø 60/95 mm (DY912) can be inserted into an existing Ø 100 mm conduit.



Boiler shown:  
MPX connected to the horizontal forced flue Ø 80/125 mm (package DY882) + Adapter Ø 80/125 mm (package DY708)

Boiler types	L <sub>max</sub> (m)	
	60/100	80/125
MPX 24 Compact MPX ... MI Compact MPX 28/33 BIC	10	25

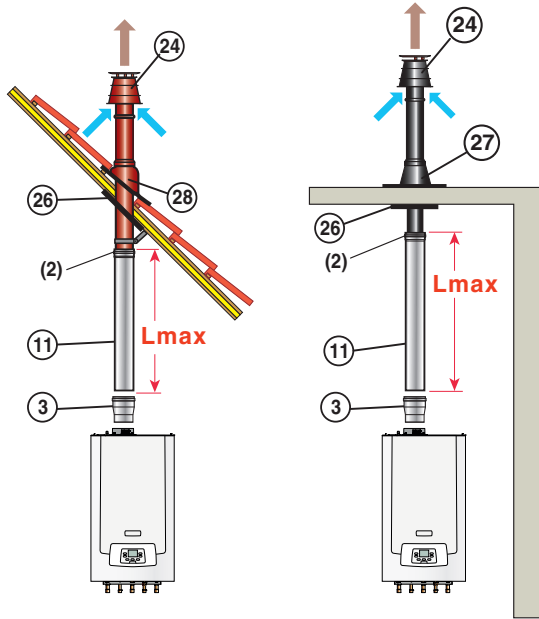
Connect. Ø (mm)	Equivalent length (m)	
	60/100	80/125
87° elbow	1.1	1.5
45° elbow	0.8	1.0
30° elbow	0.7	-
15° elbow	0.5	-
Straight inspection pipe	0.5	0.6
Inspection T	2.2	2.7
Inspection elbow	-	2.0
Condensates recup.	-	0.8

### ⇒ Alu/PPs flue systems accessories needed at the very least for connection to a horizontal forced flue

Description	Diagrams with Dimensions/References	Boiler types	MPX	
		Ø connect. (mm)	60/100	80/125
		Package/Ref.		
Horizontal forced flue Ø 60/100 mm with 87° elbow		DY871 100008296	X	
Horizontal forced flue Ø 80/125 mm with inspection elbow		DY882 10001365		X
Adapter 60/100 sur Ø 80/125 mm		③ DY708 84887708		X

⇒ Other flue systems accessories available, see pages 92 (Alu/PPs) and 98 (common accessories)

## 2 CONFIGURATION C<sub>33X</sub> - CONCENTRIC VERTICAL FORCED FLUE ALU/PPs (CONNECTION TO SLOPING ROOF OR FLAT ROOF)



Boiler shown:  
MPX connected to the vertical forced flue  
Ø 80/125 mm (package DY 843) + Adapter  
Ø 60/100 on 80/125 mm (package DY708)

Boiler types	L <sub>max</sub> (m)	
	60/100	80/125
MPX 24 Compact MPX ... MI Compact MPX 28/33 BIC	10	25

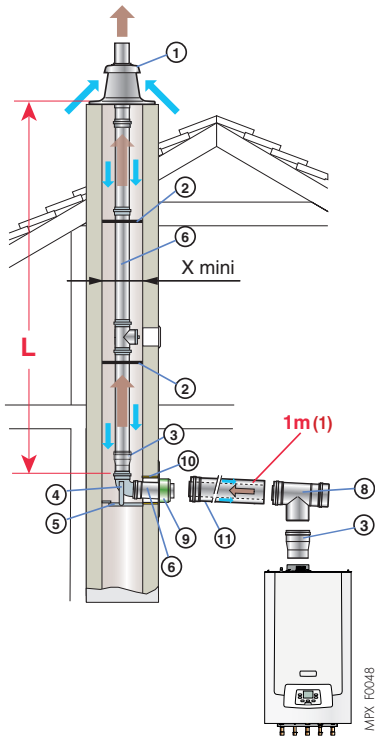
Connect. Ø (mm)	Equivalent length (m)	
	60/100	80/125
87° elbow	1.1	1.5
45° elbow	0.8	1.0
30° elbow	0.7	-
15° elbow	0.5	-
Straight inspection pipe	0.5	0.6
Inspection T	2.2	2.7
Inspection elbow	-	2.0
Condensates recup.	-	0.8

⇒ Alu/PPs flue systems accessories needed at the very least for connection to a vertical forced flue

Description	Diagrams with Dimensions/References	Boiler types	MPX	
		Ø connect. (mm)	60/100	80/125
		Package/Ref.		
Vertical air/flue gas terminal Ø 60/100 mm (black or red)		24 <b>DY928</b> 7650968 (black) or <b>DY929</b> 7650969 (red)	X	
Vertical air/flue gas terminal Ø 80/125 mm (black or red)		24 <b>DY843</b> 100002732 (black) or <b>DY844</b> 100002733 (red)		X
Adapter Ø 80/125 mm on 60/100 mm		3 <b>DY708</b> 84887708		X

⇒ Other flue systems accessories available, see pages 92 (Alu/PPs) and 98 (common accessories)

### 3 CONFIGURATION C<sub>93X</sub> - CONCENTRIC ALU/PPs PIPES IN BOILER ROOM, SINGLE "RIGID" PPs PIPES IN CHIMNEY (COMBUSTIVE AIR IN COUNTER-CURRENT)



(1) For each additional metre of horizontal conduit, remove 1.2 m from the vertical length L<sub>max</sub> given in the table opposite

Boiler shown:  
MPX connected with Ø 80/125 mm in boiler room and Ø 80 mm in chimney

Boiler types	Ø connect. (mm)	L <sub>max</sub> (m)
	- in boiler room - to chimney	
MPX 24 Compact MPX ... MI Compact MPX 28/33 BIC		80/125 80
	x mini	140
	Ø (mm)	160

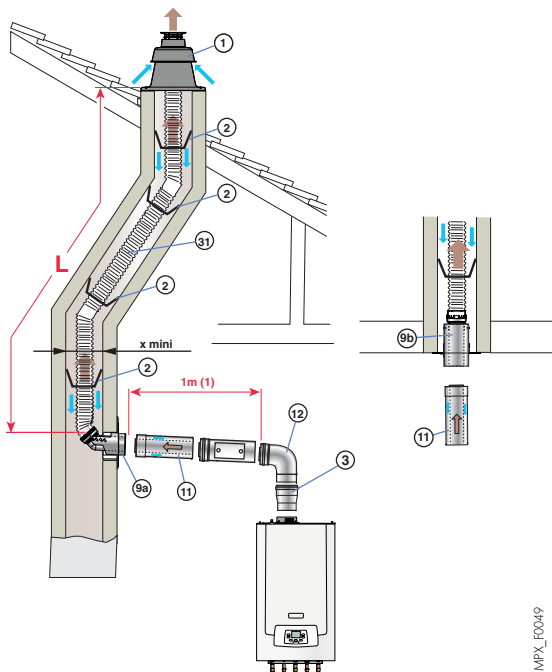
Ø connect. (mm)	Equivalent length (m)			
	60/100	80/125	60	80
87° elbow	1.1	1.5	1.1	1.9
45° elbow	0.8	1.0	0.6	1.2
30° elbow	0.7	-	0.9	0.4
15° elbow	0.5	-	0.6	0.2
Straight inspection pipe	0.5	0.6	0.3	0.3
Inspection T	2.2	2.7	2.9	4.2
Inspection elbow	-	2.0	-	1.9

⇒ Alu/PPs or PPs flue systems accessories needed at the very least for air/flue gas connections using rigid pipes in an existing chimney flue

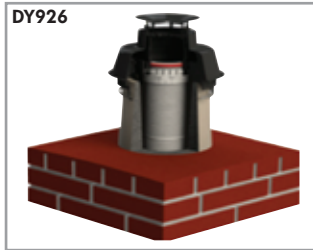
Description	Diagrams with Dimensions/References	Boiler types	
		Ø connect. (mm)	MPX
		- in boiler room - in chimney	80/125 80
Boiler connection kit Ø 80/125 mm		Colis/ Réf.  DY716 84887716	X
Chimney connection kit Ø 80 mm		DY717 84887717	X
Adapter 60/100 on Ø 80/125 mm		③ DY708 84887708	X

⇒ Other flue systems accessories available, see pages 92 (Alu/PPs), 94 (PPs rigid) and 98 (common accessories)

## 4 CONFIGURATION C93X - CONCENTRIC ALU/PPs PIPES IN BOILER ROOM, SINGLE « FLEX » PPs PIPES IN CHIMNEY (COMBUSTIVE AIR IN COUNTER-CURRENT)



We also offer an optional terminal Mitrón for flex pipe (package DY926), in replacement of the terminal with flashing (see p. 95)



FUMI\_F0130

(I) For each additional metre of horizontal conduit, remove 1.2 m from the vertical length Lmax given in the table opposite.

MPX\_F0049

Boiler shown: MPX connected with Ø 80/125 mm in boiler room and Ø 80 mm in chimney

Boiler types	Connect. Ø (mm)	Lmax (m)
	- in boiler room - to chimney	80/125 80
MPX 24 Compact MPX ... MI Compact MPX 28/33 BIC		20
	x mini □ (mm)	140
	Ø (mm)	160

Connect. Ø (mm)	Equivalent length (m)	
	80/125	80 flex
87° elbow	1.5	-
45° elbow	1.0	-
Straight inspection pipe	0.6	0.3
Inspection T	2.7	-
Inspection elbow	2.0	-
Condensates recup.	0.8	-

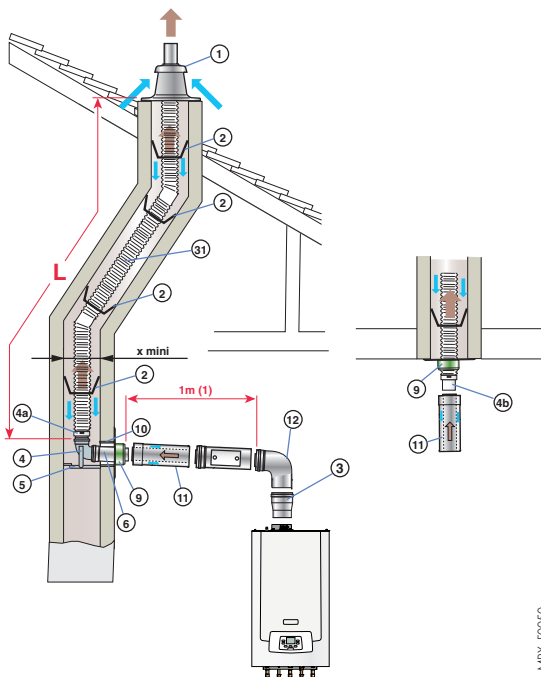
⇒ Alu/PPs and PPs flue systems accessories needed at the very least for connection using flex pipes in an existing chimney flue

Description	Diagrams with Dimensions/References	Boiler types		MPX		
		Ø connect. (mm)	- in boiler room - in chimney	80/125 80		
				Package/ Ref.	perpendicular to the conduit	in conduit
Boiler connection Quick-kit Ø 80/125 mm perpendicular to the conduit				DY925 7650958	X	
Boiler connection Quick-kit Ø 80/125 mm under conduit				DY927 7650964		X
Air/flue gas vent with flashing for flex pipe				DY899 100015329		X
Adapter Ø 80/125 on 60/100 mm				DY708 84887708	X	X
Flex pipe Ø 80 mm Length 12.5 m (I)				DY897 100015327	X	X

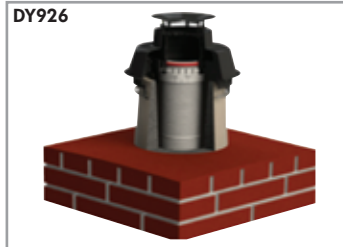
(I) Other flex pipe lengths available see page 95.

⇒ Other flue systems accessories available, see pages 92 (Alu/PPs), 95 (PPs flex) and 98 (common accessories)

## 4 CONFIGURATION C93X - CONCENTRIC ALU/PPS PIPES IN BOILER ROOM, SINGLE « FLEX » PPS PIPES IN CHIMNEY (COMBUSTIVE AIR IN COUNTER-CURRENT)



We also offer an optional terminal Mitron for flex pipe (package DY926), in replacement of the terminal with flashing (see p. 95)



Boiler types	Connect. Ø (mm)	Lmax (m)
	- in boiler room	80/125
MPX 24 Compact MPX ... MI Compact MPX 28/33 BIC	- to chimney	80
	x mini	140
	Ø (mm)	160

Connect. Ø (mm)	Equivalent length (m)	
	80/125	80 flex
87° elbow	1.5	-
45° elbow	1.0	-
Straight inspection pipe	0.6	0.3
Inspection T	2.7	-
Inspection elbow	2.0	-
Condensates recup.	0.8	-

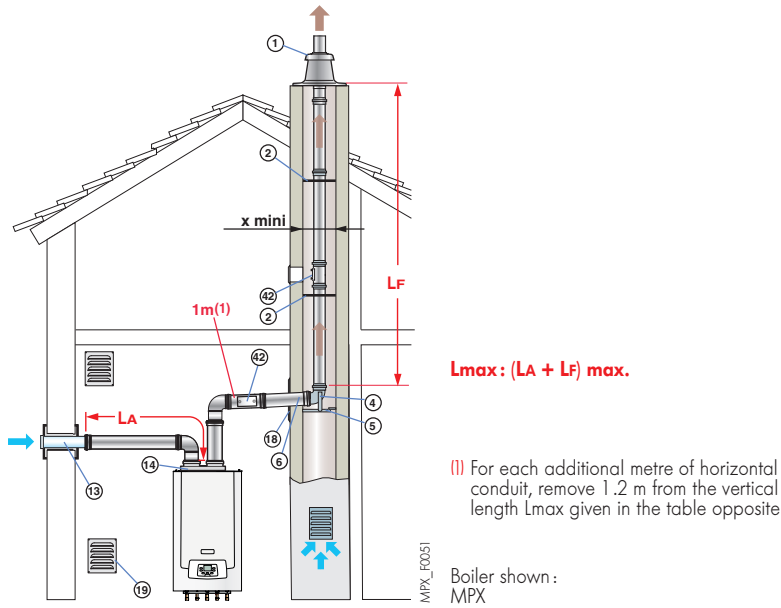
(1) For each additional metre of horizontal conduit, remove 1.2 m from the vertical length Lmax given in the table opposite.

Boiler shown :  
MPX connected with Ø 80/125 mm in boiler room and Ø 80 mm in chimney

⇒ Alu/PPs and PPs flue systems accessories needed at the very least for connection using flex pipes in an existing chimney flue

Description	Diagrams with Dimensions/References	Boiler types		MPX	
		Ø connect. (mm)	- in boiler room	80/125	
		Package/Ref.	- in chimney	perpendicular to the conduit	in conduit
Boiler connection kit Ø 80/125 mm perpendicular to the conduit	DY849 	DY850 	DY849 100003271	X	
Boiler connection kit Ø 80/125 mm under conduit			DY850 10003272		X
Adapter flex pipe		(46)	DY904 100015880		X
Chimney connection kit Ø 80 mm			DY895 100015325	X	
Air/flue gas vent with flashing for flex pipe		(1)	DY899 100015329		X
Adapter Ø 80/125 on 60/100 mm		(3)	DY708 84887708	X	X
Flex pipe Ø 80 mm Length 12.5 m (1)		(31)	DY897 100015327	X	X

## 5 CONFIGURATION C<sub>53</sub> - SEPARATE AIR AND FLUE GAS PIPES IN PPs (COMBUSTIVE AIR TAKEN FROM OUTSIDE)



**⚠ Configuration only allowed in boiler room**

Boiler types	with adapter bi-flux (Ø mm)	Lmax (m) Ø 60/100 to 2 x 80
MPX 24 Compact MPX ... MI Compact MPX 28/33 BIC		80*
x mini	∇ (mm)	140
	Ø (mm)	160

\* L<sub>F max</sub> = 15 m

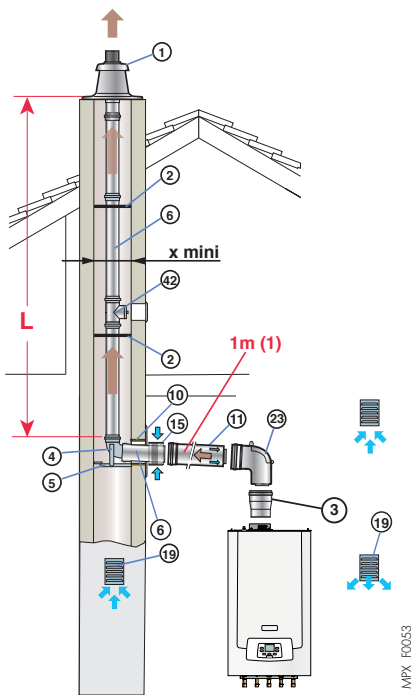
Connect. Ø (mm)	Equivalent length (m)	
	80 (PPs)	
87° elbow	1.9	
45° elbow	1.2	
30° elbow	0.4	
15° elbow	0.2	
Straight inspection pipe	0.3	
Inspection T	4.2	

⇒ **Alu flue systems accessories needed at the very least for connection using separate air/flue gas pipes (bi-flow)**

Description	Diagrams with Dimensions/References	Boiler types	MPX
		Adapter bi-flux Ø (mm)	60/100 to 2 x 80
		Package/Ref.	
Adapter bi-flux Ø 60/100 mm on 2 x 80 mm		DY723 84887723	X
Outside air intake Ø 80 mm		DY38 84887438	X
Chimney connection kit Ø 80 mm rigid		DY717 84887717	X
Finishing plate for chimney Ø 80 mm		DY757 84887757	X

⇒ Other flue systems accessories available, see pages 94 (PPs rigid) and 98 (common accessories)

**6** CONFIGURATION B<sub>23P</sub>/B<sub>33</sub> - CONNECTION TO A CHIMNEY USING ALU/PPs PIPES IN BOILER ROOM, SINGLE "RIGID" PPs PIPES IN CHIMNEY (COMBUSTIVE AIR TAKEN FROM THE BOILER ROOM)



(1) For each additional metre of horizontal conduit, remove 1.2 m from the vertical length L<sub>max</sub> given in the table opposite

Boiler shown: MPX

Boiler types	Ø connect. (mm)	L <sub>max</sub> (m)
	- in boiler room - in chimney	80/125 80 rigid
MPX 24 Compact MPX ... MI Compact MPX 28/33 BIC		20
	x mini ▣ (mm)	140
	Ø (mm)	160

Connect. Ø (mm)	Equivalent length (m)	
	80	80/125
87° elbow	1.9	1.5
45° elbow	1.2	1.0
30° elbow	0.4	-
15° elbow	0.2	-
Inspection T	4.2	2.7
Straight inspection pipe	0.3	0.6
Inspection elbow	1.9	2.0
Condensates recup.	1.3	0.8

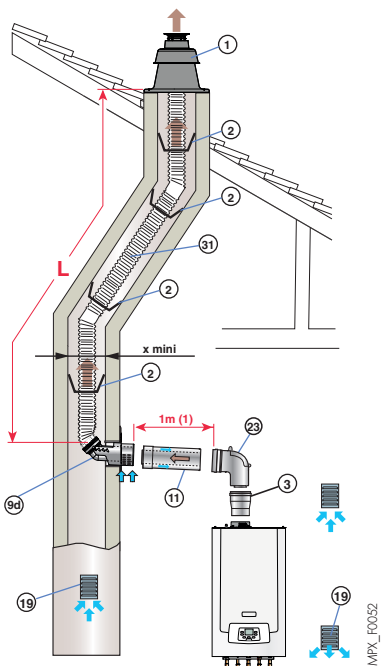
⇒ PPs flue systems accessories needed at the very least for chimney connection using rigid pipes

Description	Diagrams with Dimensions/References	Boiler types	
		MPX	
		Ø connect. (mm)	- in boiler room - in chimney
			80/125 80
		Package/Ref.	
Boiler connection Kit Ø 80/125 mm		DY913 100017527	X
Chimney connection kit Ø 80 mm rigid		DY717 84887717	X
Adapter Ø 80/125 mm on 60/100 mm		DY708 84887708	X

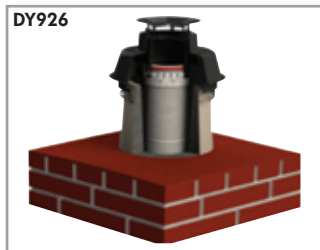
⇒ Other flue systems accessories available, see pages 92 (Alu/PPs), 94 (PPs rigid) and 98 (common accessories)



## 6 CONFIGURATION B<sub>23p</sub>/B<sub>33</sub> - CONNECTION TO A CHIMNEY USING ALU/PPs PIPES IN BOILER ROOM, SINGLE "FLEX" PPs PIPES IN CHIMNEY (COMBUSTIVE AIR TAKEN FROM THE BOILER ROOM)



We also offer an optional terminal Mitron for flex pipe (package DY926), in replacement of the terminal with flashing (see p. 95)



FUMI\_F0130

(I) For each additional metre of horizontal conduit, remove 1.2 m from the vertical length L<sub>max</sub> given in the table opposite

Boiler shown : MPX

Boiler types	Ø connect. (mm)		L <sub>max</sub> (m)
	- in boiler room	- in chimney	
MPX 24 Compact MPX ... MI Compact MPX 28/33 BIC			80/125 80 flex
			20
	x mini	∇ (mm)	140
		Ø (mm)	160

Connect. Ø (mm)	Equivalent length (m)		
	80 rigid	80 flex	80/125
87° elbow	1.9	-	1.5
45° elbow	1.2	-	1.0
30° elbow	0.4	-	-
15° elbow	0.2	-	-
Inspection T	4.2	-	2.7
Straight inspection pipe	0.3	0.3	0.6
Inspection elbow	1.9	-	2.0
Condensates recup.	1.3	-	0.8

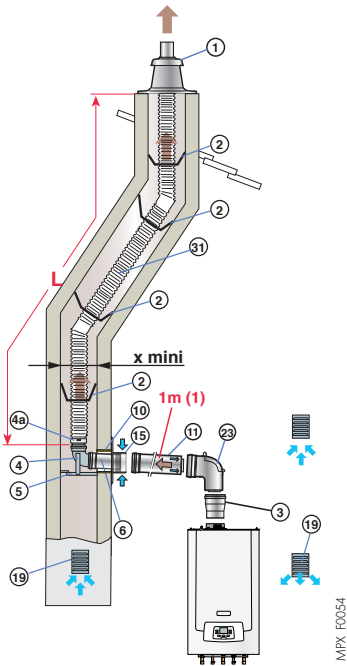
⇒ PPs flue systems accessories needed at the very least for connection to the chimney using rigid pipes in the boiler room and flex pipes in the chimney in configuration B<sub>23p</sub>/B<sub>33</sub>

Description	Diagrams with Dimensions/References	Boiler types	
		MPX	
		Ø connect. (mm)	
		- in boiler room	80/125
		- in chimney	80
		Package/Ref.	
Boiler connection Quick-kit Ø 80/125 mm		DY924 7650956	X
Adapter Ø 80/125 mm to 60/100 mm		③ DY708 84887708	X
Flex pipe Ø 80 mm Length 12.5 m (I)		③① DY897 100015327	X

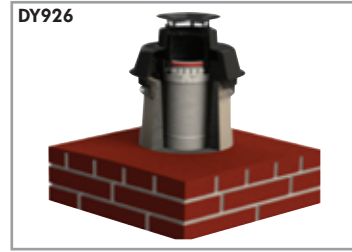
(I) Other flex pipe lengths available see page 95

⇒ Other flue systems accessories available, see pages 92 (Alu/PPs), 95 (PPs flex) and 98 (common accessories)

**6** CONFIGURATION B<sub>23P</sub>/B<sub>33</sub> - CONNECTION TO A CHIMNEY USING ALU/PPs PIPES IN BOILER ROOM, SINGLE "FLEX" PPs PIPES IN CHIMNEY (COMBUSTIVE AIR TAKEN FROM THE BOILER ROOM)



We also offer an optional terminal Mitron for flex pipe (package DY926), in replacement of the terminal with flashing (see p. 95)



FUMI\_F0330

(1) For each additional metre of horizontal conduit, remove 1.2 m from the vertical length L<sub>max</sub> given in the table opposite

Boiler shown: MPX

Boiler types	Ø connect. (mm)	L <sub>max</sub> (m)
	- in boiler room - in chimney	80/125 80 flex
MPX 24 Compact MPX ... MI Compact MPX 28/33 BIC		20
	x mini ▣ (mm)	140
	Ø (mm)	160

Connect. Ø (mm)	Equivalent length (m)		
	80 rigid	80 flex	80/125
87° elbow	1.9	-	1.5
45° elbow	1.2	-	1.0
30° elbow	0.4	-	-
15° elbow	0.2	-	-
Inspection T	4.2	-	2.7
Straight inspection pipe	0.3	0.3	0.6
Inspection elbow	1.9	-	2.0
Condensates recup.	1.3	-	0.8

⇒ PPs flue systems accessories needed at the very least for connection to the chimney using rigid pipes in the boiler room and flex pipes in the chimney in configuration B<sub>23P</sub>/B<sub>33</sub>

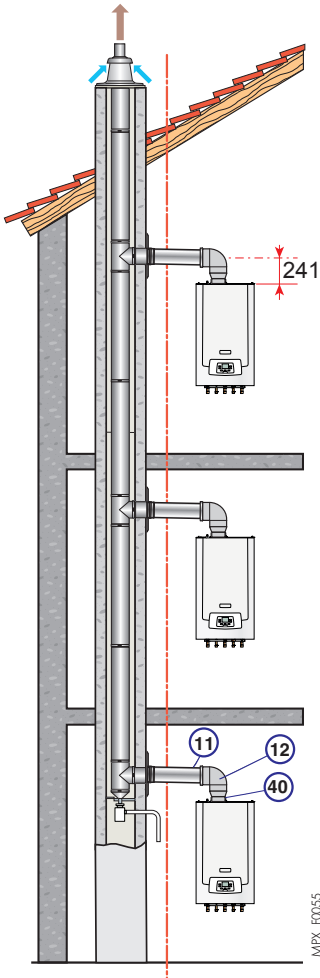
Description	Diagrams with Dimensions/References	Boiler types	
		Ø connect. (mm)	MPX
		- in boiler room - in chimney	80/125 80
Package/Ref.			
Boiler connection Kit Ø 80/125 mm		DY913 100017527	X
Chimney connection kit Ø 80 mm flex		DY895 100015325	X
Adapter Ø 80/125 mm to 60/100 mm		DY708 84887708	X
Flex pipe Ø 80 mm Length 12.5 m (1)		DY897 100015327	X

(1) Other flex pipe lengths available see page 95

⇒ Other flue systems accessories available, see pages 92 (Alu/PPs), 95 (PPs flex) and 98 (common accessories)

**12** CONFIGURATION C<sub>43X</sub> - CONNECTING A FORCED FLUE BOILER TO A SHARED FLUE SYSTEM

To size such a system, contact the flue system supplier



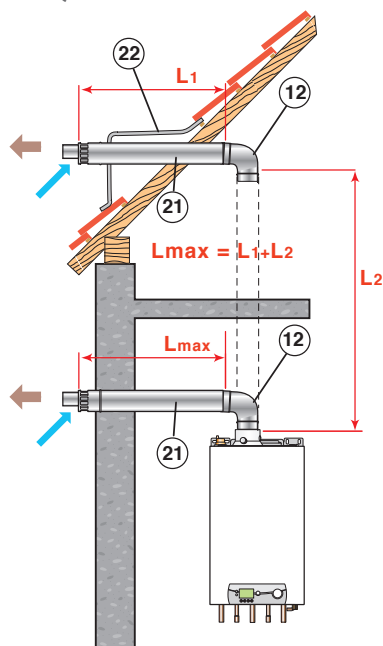
**Note:**  
It is possible to put boilers with differing outputs on the same conduit, consult the conduit manufacturer.

⇒ Alu/PPs flue systems accessories needed at the very least for connection to a collective conduit

Description	Diagrams with Dimensions/References	Boiler types	MPX
		Package/Ref.	
Boiler connection kit on a shared flue system with adapter Ø 60/100 sur Ø 80/125 mm		HX103 7671879	X

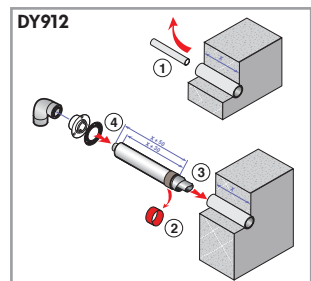
⇒ Other flue systems accessories available, see pages 92 (Alu/PPs)

## 1 CONFIGURATION C<sub>13X</sub> - CONCENTRIC HORIZONTAL FORCED FLUE ALU/PPs (CONNECTION TO AN EXTERNAL WALL OR A ROOF OUTLET)



FUJMI\_F0030D

**Solution for renovation project:**  
Ideal when replacing an existing boiler with a condensing boiler. The horizontal "Retrofit" forced flue Ø 60/95 mm (DY912) can be inserted into an existing Ø 100 mm conduit.



FUJMI\_DY912

Boiler shown:  
MCR-P connected to the horizontal forced flue Ø 60/100 mm (package DY871)

Boiler types	connect. Ø (mm)	Lmax (m)
	60/100	60/100
VIVADENS MCR-P 24 PLUS		6
VIVADENS MCR-P 24/28 MI PLUS, 24/28 BIC PLUS		7
VIVADENS MCR-P 30/35 MI PLUS		4
VIVADENS MCR-P 34/39 MI PLUS		6

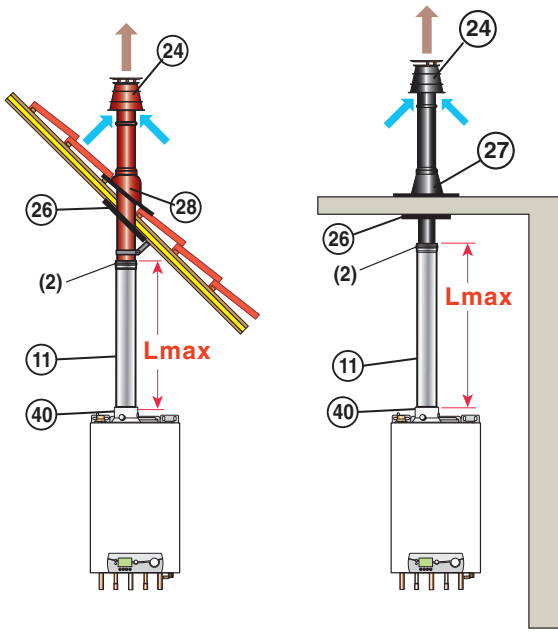
connect. Ø (mm)	Equivalent length (m) 60/100
87° elbow	1.1
45° elbow	0.8
30° elbow	0.7
15° elbow	0.5
Straight inspection pipe	0.5
Inspection T	2.2

⇒ Alu/PPs flue systems accessories needed at the very least for connection to a horizontal forced flue

Where used	Description	Diagrams with Dimensions/References	Boiler types	VIVADENS MCR-P... MI PLUS	VIVADENS MCR-P 24 PLUS, MCR-P 24/28 BIC PLUS
			connect. Ø (mm)	60/100	60/100
			Package/Ref.		
In new installations with MCR... MI boiler or to replace an existing boiler type... with a MCR... MI boiler <b>without</b> take-up of the forced flue outlet	<b>Horizontal forced flue Ø 60/100 mm</b> with 87° elbow <b>Note:</b> installation of an inspection pipe (package DY689) between the terminal and the elbow is recommended		DY871 100008296	X	X
To replace an existing boiler type... with a MCR... MI boiler <b>with</b> take-up of the forced flue outlet	<b>Horizontal forced flue Ø 60/100 mm</b> with centring elbow <b>Note:</b> installation of an inspection pipe (package DY689) between the terminal and the elbow is recommended		DY885 100011888	X	
	<b>Horizontal forced flue Ø 60/100 mm</b> raised with centring elbow <b>Note:</b> installation of an inspection pipe (package DY689) between the terminal and the elbow is recommended		DY886 100013303	X	

⇒ Other flue systems accessories available, see pages 92 (Alu/PPs) and 98 (common accessories)

## 2 CONFIGURATION C<sub>33X</sub> - CONCENTRIC VERTICAL FORCED FLUE ALU/PPs (CONNECTION TO SLOPING ROOF OR FLAT ROOF)



Boiler shown:  
MCR-P connected to  
the vertical forced flue  
Ø 80/125 mm (package DY843)  
+ Adapter Ø 80/125 mm  
(package HR38)

Boiler types	connect. Ø (mm)	
	60/100	80/125
VIVADENS MCR-P 24 PLUS	4	20
VIVADENS MCR-P 24/28 MI PLUS, 24/28 BIC PLUS	8	20
VIVADENS MCR-P 30/35 MI PLUS	4	20
VIVADENS MCR-P 34/39 MI PLUS	5	20

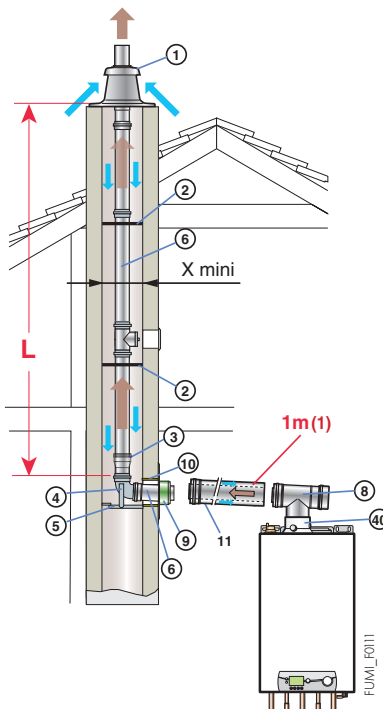
connect. Ø (mm)	Equivalent length (m)	
	60/100	80/125
87° elbow	1.1	1.5
45° elbow	0.8	1.0
30° elbow	0.7	-
15° elbow	0.5	-
Straight inspection pipe	0.5	0.6
Inspection T	2.2	2.7
Inspection elbow	-	2.0
Condensates recup.	-	0.8

⇒ Alu/PPs flue systems accessories needed at the very least for connection to a vertical forced flue

Description	Diagrams with Dimensions/References	Boiler types	VIVADENS MCR-P... PLUS	
		connect. Ø (mm)	60/100	80/125
		Package/Ref.		
Vertical forced flue Ø 60/100 mm (black or red)	or	DY928 7650968 (black) or DY929 7650969 (red)	X	
Vertical forced flue Ø 80/125 mm (black or red)	or	DY843 100002732 (black) or DY844 100002733 (red)		X
Adapter Ø 80/125 mm (replaces the adapter Ø 60/100 mm fitted as standard)		HR38 S100465		X

⇒ Other flue systems accessories available, see pages 92 (Alu/PPs) and 98 (common accessories)

## 3 CONFIGURATION C<sub>93X</sub> - CONCENTRIC ALU/PPs PIPES IN BOILER ROOM, SINGLE "RIGID" PPs PIPES IN CHIMNEY (COMBUSTIVE AIR IN COUNTER-CURRENT)



(I) For each additional metre of horizontal conduit, remove 1.2 m from the vertical length L<sub>max</sub> given in the table opposite.

Boiler shown:  
MCR-P connected with Ø 80/125 mm in boiler room and Ø 80 mm in chimney

Boiler types	connect. Ø (mm) - in boiler room - to chimney	L <sub>max</sub> (m)	
		60/100 80	80/125 80
VIVADENS MCR-P 24 PLUS		18	-
VIVADENS MCR-P 24/28 MI PLUS, 24/28 BIC PLUS		20	-
VIVADENS MCR-P 30/35 MI PLUS		10	20
VIVADENS MCR-P 34/39 MI PLUS		12	20
	x mini □ (mm)	140	140
	Ø (mm)	160	160

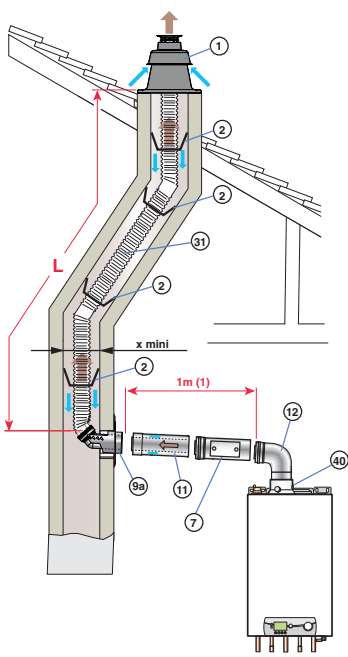
connect. Ø (mm)	Equivalent length (m)			
	60/100	80/125	60	80
87° elbow	1.1	1.5	1.1	1.9
45° elbow	0.8	1.0	0.6	1.2
30° elbow	0.7	-	0.9	0.4
15° elbow	0.5	-	0.6	0.2
Straight inspection pipe	0.5	0.6	0.3	0.3
Inspection T	2.2	2.7	2.9	4.2
Inspection elbow	-	2.0	-	1.9

⇒ Alu/PPs or PPs flue systems accessories needed at the very least for air/flue gas connections using rigid pipes in an existing chimney flue

Description	Diagrams with Dimensions/References	Boiler types	VIVADENS MCR-P 24 PLUS, 24/28 MI PLUS, 24/28 BIC PLUS	VIVADENS MCR-P 30/35 MI PLUS, 34/39 MI PLUS																			
			60/100 80	60/100 80	80/125 80																		
Package/Ref.																							
Boiler connection kit Ø 60/100 mm		DY702 84887702	X	X																			
Boiler connection kit Ø 80/125 mm	 <table border="1"> <thead> <tr> <th></th> <th>A</th> <th>B</th> <th>C</th> <th>D</th> <th>E</th> </tr> </thead> <tbody> <tr> <td>DY702</td> <td>250</td> <td>120</td> <td>100</td> <td>115</td> <td>100</td> </tr> <tr> <td>DY716</td> <td>270</td> <td>130</td> <td>120</td> <td>140</td> <td>125</td> </tr> </tbody> </table>		A	B	C	D	E	DY702	250	120	100	115	100	DY716	270	130	120	140	125	DY716 84887716			X
	A	B	C	D	E																		
DY702	250	120	100	115	100																		
DY716	270	130	120	140	125																		
Chimney connection kit Ø 80 mm with adapter Ø 60 to Ø 80 mm		DY701 84887701	X	X																			
Chimney connection kit Ø 80 mm	 <table border="1"> <thead> <tr> <th></th> <th>A</th> <th>B</th> <th>C</th> <th>D</th> <th>E</th> </tr> </thead> <tbody> <tr> <td>DY701</td> <td>60</td> <td>80</td> <td>110</td> <td>120</td> <td>180</td> </tr> <tr> <td>DY717</td> <td>80</td> <td>80</td> <td>120</td> <td>130</td> <td>210</td> </tr> </tbody> </table>		A	B	C	D	E	DY701	60	80	110	120	180	DY717	80	80	120	130	210	DY717 84887717			X
	A	B	C	D	E																		
DY701	60	80	110	120	180																		
DY717	80	80	120	130	210																		
Adapter Ø 80/125 mm	 ④	HR38 S100465			X																		

⇒ Other flue systems accessories available, see pages 92 (Alu/PPs), 94 (PPs rigid) and 98 (common accessories)

## 4 CONFIGURATION C93X - CONCENTRIC ALU/PPs PIPES IN BOILER ROOM, SINGLE « FLEX » PPs PIPES IN CHIMNEY (COMBUSTIVE AIR IN COUNTER-CURRENT)



We also offer an optional terminal Mitron for flex pipe (package DY926), in replacement of the terminal with flashing (see p. 95)



Boiler types	Connect. Ø (mm)	Lmax (m)
	- in boiler room - to chimney	80/125 80
VIVADENS MCR 24 PLUS		15.5
VIVADENS MCR 24/28 MI		19
VIVADENS MCR 24/28 BIC PLUS		18
VIVADENS MCR 30/35 MI PLUS		20
VIVADENS MCR 34/39 MI PLUS		140
x mini	□ (mm)	160
	Ø (mm)	

Connect. Ø (mm)	Equivalent length (m)	
	80/125	80 flex
87° elbow	1.5	-
45° elbow	1.0	-
Straight inspection pipe	0.6	0.3
Inspection T	2.7	-
Inspection elbow	2.0	-
Condensates recup.	0.8	-

(I) For each additional metre of horizontal conduit, remove 1.2 m from the vertical length Lmax given in the table opposite.

Boiler shown:  
MCR connected with Ø 80/125 mm in boiler room and Ø 80 mm in chimney

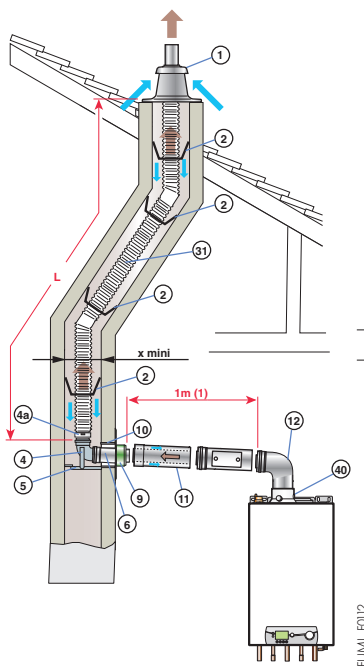
⇒ Alu/PPs and PPs flue systems accessories needed at the very least for connection using flex pipes in an existing chimney flue

Description	Diagrams with Dimensions/References	Boiler types		VIVADENS MCR	
		Ø connect. (mm)	- in boiler room - in chimney	80/125	
				Package/Ref.	perpendicular to the conduit
Boiler connection Quick-kit Ø 80/125 mm perpendicular to the conduit					X
Boiler connection Quick-kit Ø 80/125 mm under conduit					X
Air/flue gas vent with flashing for flex pipe					X
Adapter Ø 80/125 mm				X	X
Flex pipe Ø 80 mm Length 12.5 m (I)				X	X

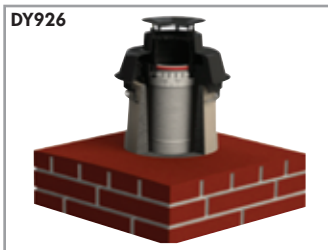
(I) Other flex pipe lengths available see page 95

⇒ Other flue systems accessories available, see pages 92 (Alu/PPs), 95 (PPs flex) and 98 (common accessories)

## 4 CONFIGURATION C93X - CONCENTRIC ALU/PPs PIPES IN BOILER ROOM, SINGLE « FLEX » PPs PIPES IN CHIMNEY (COMBUSTIVE AIR IN COUNTER-CURRENT)



We also offer an optional terminal Mitron for flex pipe (package DY926), in replacement of the terminal with flashing (see p. 95)



Boiler types	connect. Ø (mm)	Lmax (m)
	- in boiler room - to chimney	
VIVADENS MCR-P 24 PLUS	80/125	15.5
VIVADENS MCR-P 24/28 MI PLUS, 24/28 BIC PLUS	80	19
VIVADENS MCR-P 30/35 MI PLUS	80	18
VIVADENS MCR-P 34/39 MI PLUS	80	20
x mini	□ (mm)	140
	Ø (mm)	160

(1) For each additional metre of horizontal conduit, remove 1.2 m from the vertical length Lmax given in the table opposite.

Boiler shown:  
MCR-P connected with Ø 80/125 mm in boiler room and Ø 80 mm in chimney

connect. Ø (mm)	Equivalent length (m)	
	80/125	80 flex
87° elbow	1.5	-
45° elbow	1.0	-
Straight inspection pipe	0.6	0.3
Inspection T	2.7	-
Inspection elbow	2.0	-
Condensates recup.	0.8	-

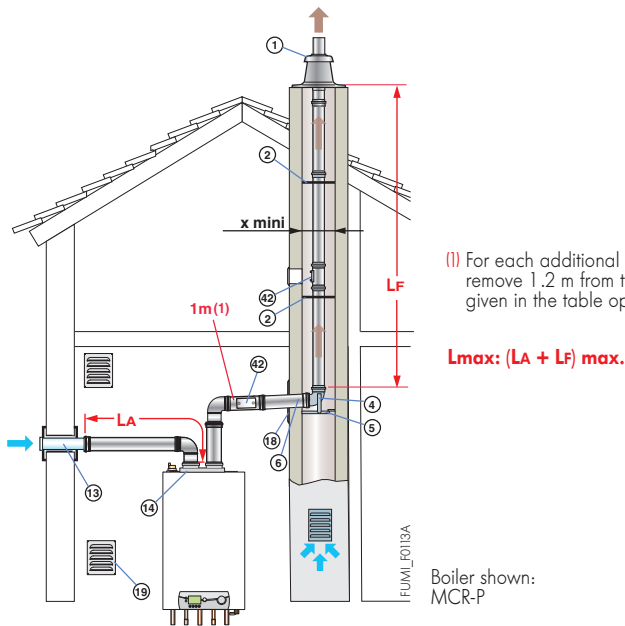
⇒ Alu/PPs and PPs flue systems accessories needed at the very least for connection using flex pipes in an existing chimney flue

Description	Diagrams with Dimensions/References	Boiler types	VIVADENS MCR-P...PLUS		
		Ø connect. - in boiler room (mm)	80/125		
		- in chimney	80		
Package/ Ref.	perpendicular to the conduit	in conduit			
Boiler connection kit Ø 80/125 mm perpendicular to the conduit	DY849 	DY850 	DY849 100003271	X	
Boiler connection kit Ø 80/125 mm under conduit			DY850 10003272		X
Adapter flex pipe		4b	DY904 100015880		X
Chimney connection kit Ø 80 mm			DY895 100015325	X	
Air/flue gas vent with flashing for flex pipe		1	DY899 100015329		X
Adapter Ø 80/125 mm		40	HR38 S100465	X	X
Flex pipe Ø 80 mm Length 12.5 m (1)		31	DY897 100015327	X	X

(1) Other flex pipe lengths available see page 95



## 5 CONFIGURATION C<sub>53</sub> - SEPARATE AIR AND FLUE GAS PIPES IN PPS (COMBUSTIVE AIR TAKEN FROM OUTSIDE)



(1) For each additional metre of horizontal conduit, remove 1.2 m from the vertical length Lmax given in the table opposite.

Lmax: (LA + LF) max.

Boiler types	with adapter bi-flux (Ø mm)	Lmax (m) 60/100 to 2 x 80
VIVADENS MCR-P 24 PLUS		40
VIVADENS MCR-P 24/28 MI PLUS, 24/28 BIC PLUS		40
VIVADENS MCR-P 30/35 MI PLUS		30
VIVADENS MCR-P 34/39 MI PLUS		32.5
x mini	□ (mm)	140
	Ø (mm)	160

connect. Ø (mm)	Equivalent length (m) 80 (PPs)
87° elbow	1.9
45° elbow	1.2
30° elbow	0.4
15° elbow	0.2
Straight inspection pipe	0.3
Inspection T	4.2

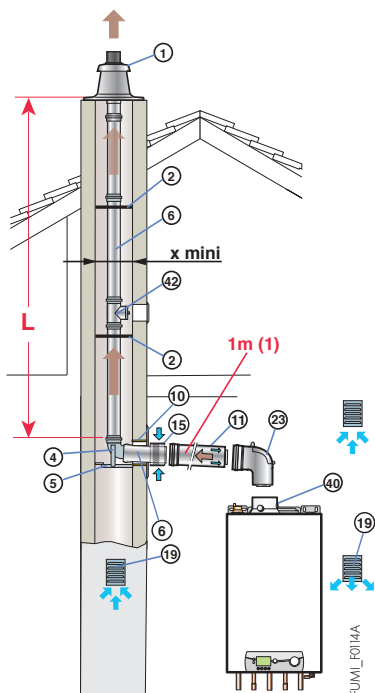
⚠ Configuration only allowed in boiler room

### ⇒ Alu flue systems accessories needed at the very least for connection using separate air/flue gas pipes (bi-flow)

Description	Diagrams with Dimensions/References	Boiler types	VIVADENS MCR-P...PLUS
		Bi-flow adapter Ø (mm)	60/100 to 2 x 80
		Package/Ref.	
Bi-flow adapter Ø 60/100 mm to 2 x Ø 80 mm	(14)	DY868 100005825	X
Outside air intake Ø 80 mm	(13)	DY38 84887438	X
Chimney connection kit Ø 80 mm	(1)	DY717 84887717	X
Finishing plate for chimney	(18)	DY757 84887757	X

⇒ Other flue systems accessories available, see pages 94 (PPs rigid) and 98 (common accessories)

## 6 CONFIGURATION B<sub>23P</sub>/B<sub>33</sub> - CONNECTION TO A CHIMNEY USING ALU/PPs PIPES IN BOILER ROOM, SINGLE "RIGID" PPs PIPES IN CHIMNEY (COMBUSTIVE AIR TAKEN FROM THE BOILER ROOM)



(1) For each additional metre of horizontal conduit, remove 1.2 m from the vertical length L<sub>max</sub> given in the table opposite

Boiler shown: MCR-P

Boiler types	connect. Ø		L <sub>max</sub> (m)
	- in boiler room	- to chimney	
VIVADENS MCR-P 24 PLUS			33
VIVADENS MCR-P 24/28 MI PLUS, VIVADENS MCR-P 24/28 BIC PLUS			37
VIVADENS MCR-P 30/35 MI PLUS			19
VIVADENS MCR-P 34/39 MI PLUS			33
	x mini	□ (mm)	140
		Ø (mm)	160

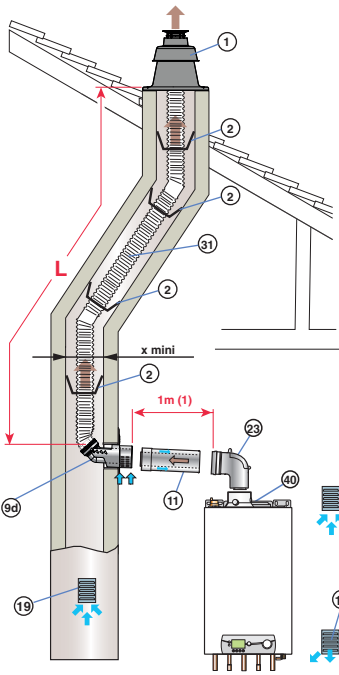
connect. Ø (mm)	Equivalent length (m)	
	80	80/125
87° elbow	1.9	1.5
45° elbow	1.2	1.0
30° elbow	0.4	-
15° elbow	0.2	-
Inspection T	4.2	2.7
Straight inspection pipe	0.3	0.6
Inspection elbow	1.9	2.0
Condensates recup.	1.3	0.8

⇒ PPs flue systems accessories needed at the very least for chimney connection using rigid pipes

Description	Diagrams with Dimensions/References	Boiler types	
		VIVADENS MCR-P...PLUS	
		connect. Ø (mm)	
		- in boiler room	80/125
		- in chimney	80
		Package/Ref.	
Boiler connection kit Ø 80/125 mm		DY913 100017527	X
Chimney connection kit Ø 80 mm rigid		DY717 84887717	X
Adapter Ø 80/125 mm		HR38 S1000465	X

⇒ Other flue systems accessories available, see pages 92 (Alu/PPs), 94 (PPs rigid) and 98 (common accessories)

## 6 CONFIGURATION B<sub>23p</sub>/B<sub>33</sub> - CONNECTION TO A CHIMNEY USING ALU/PPs PIPES IN BOILER ROOM, SINGLE "FLEX" PPs PIPES IN CHIMNEY (COMBUSTIVE AIR TAKEN FROM THE BOILER ROOM)



We also offer an optional terminal Mitron for flex pipe (package DY926), in replacement of the terminal with flashing (see p. 95)



FUJMI\_F0330

Boiler types	Ø connect. (mm)		Lmax (m)
	- in boiler room	- in chimney	
VIVADENS MCR 24 PLUS	80/125	80 flex	23
VIVADENS MCR 24/28 MI			27 (*)
VIVADENS MCR 24/28 BIC PLUS			22.5
VIVADENS MCR 30/35 MI PLUS			24.5
VIVADENS MCR 34/39 MI PLUS			
	x mini	□ (mm)	140
		Ø (mm)	160

(\*) ⚠ The max height in the flue gas conduit from the support elbow to the outlet must not exceed 25 m (PPs flex). If greater lengths are used, fastening clamps should be added every 25 m.

Connect. Ø (mm)	Equivalent length (m)		
	80 rigid	80 flex	80/125
87° elbow	1.9	-	1.5
45° elbow	1.2	-	1.0
30° elbow	0.4	-	-
15° elbow	0.2	-	-
Inspection T	4.2	-	2.7
Straight inspection pipe	0.3	0.3	0.6
Inspection elbow	1.9	-	2.0
Condensates recup.	1.3	-	0.8

(I) For each additional metre of horizontal conduit, remove 1.2 m from the vertical length Lmax given in the table opposite

Boiler shown: MCR

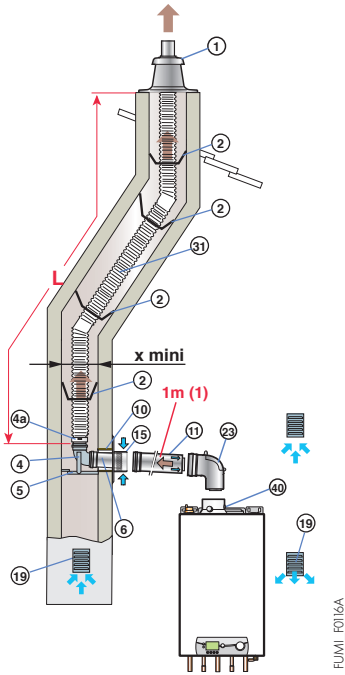
⇒ PPs flue systems accessories needed at the very least for connection to the chimney using rigid pipes in the boiler room and flex pipes in the chimney in configuration B<sub>23p</sub>/B<sub>33</sub>

Description	Diagrams with Dimensions/References	Boiler types		VIVADENS MCR... PLUS
		Ø connect. (mm)	- in boiler room - in chimney	80/125 80
		Package/Ref.		
Boiler connection Quick-kit Ø 80/125 mm				DY924 7650956 X
Adapter Ø 80/125 mm				HR38 S1000465 X
Flex pipe Ø 80 mm Length 12.5 m (I)				DY897 100015327 X

(I) Other flex pipe lengths available see page 95

⇒ Other flue systems accessories available, see pages 92 (Alu/PPs), 95 (PPs flex) and 98 (common accessories)

## 6 CONFIGURATION B<sub>23P</sub>/B<sub>33</sub> - CONNECTION TO A CHIMNEY USING ALU/PPs PIPES IN BOILER ROOM, SINGLE "FLEX" PPs PIPES IN CHIMNEY (COMBUSTIVE AIR TAKEN FROM THE BOILER ROOM)



We also offer an optional terminal Mitron for flex pipe (package DY926), in replacement of the terminal with flashing (see p. 95)



FUMI\_F0130

FUMI\_F016A

(1) For each additional metre of horizontal conduit, remove 1.2 m from the vertical length L<sub>max</sub> given in the table opposite.

Boiler shown: MCR-P

Boiler types	connect. Ø (mm)	L <sub>max</sub> (m)
	- in boiler room - to chimney	
VIVADENS MCR-P 24 PLUS	80/125 80 flex	23
VIVADENS MCR-P 24/28 MI PLUS, 24/28 BIC PLUS		27 (*)
VIVADENS MCR-P 30/35 MI PLUS		22.5
VIVADENS MCR-P 34/39 MI PLUS		24.5
	x mini	140
	□ (mm) Ø (mm)	160

(\*) ⚠ The max height in the flue gas conduit from the support elbow to the outlet must not exceed 25 m (PPs flex). If greater lengths are used, fastening clamps should be added every 25 m.

connect. Ø (mm)	Equivalent length (m)		
	80 rigid	80 flex	80/125
87° elbow	1.9	-	1.5
45° elbow	1.2	-	1.0
30° elbow	0.4	-	-
15° elbow	0.2	-	-
Straight inspection pipe	4.2	-	2.7
Inspection T	0.3	0.3	0.6
Inspection elbow	1.9	-	2.0
Condensates recup.	1.3	-	0.8

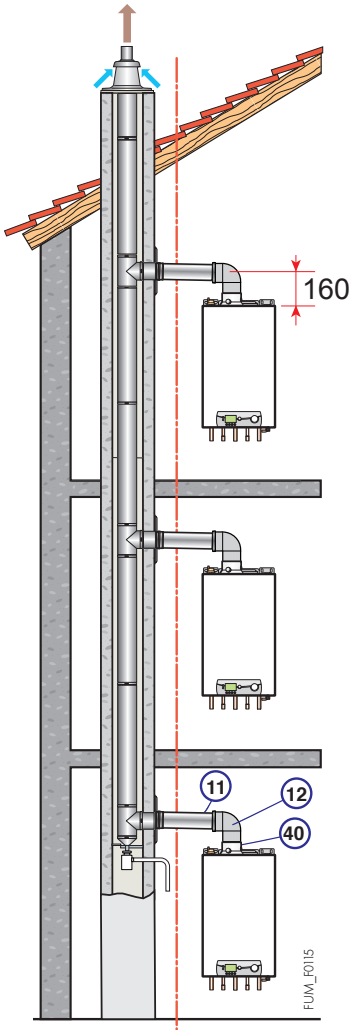
⇒ PPs flue systems accessories needed at the very least for connection to the chimney using rigid pipes in the boiler room and flex pipes in the chimney in configuration B<sub>23P</sub>/B<sub>33</sub>

Description	Diagrams with Dimensions/References	Boiler types	VIVADENS MCR-P...PLUS
		connect. Ø - in boiler room (mm)	80/125
		- in chimney	80
		Package/Ref.	
Connection kit Ø 80/125 mm		DY913 100017527	X
Chimney connection kit Ø 80 mm flex		DY895 100015325	X
Adapter Ø 80/125 mm		HR38 S1000465	X
Flex pipe Ø 80 mm Length 12.5 m (1)		DY897 100015327	X

(1) Other flex pipe lengths available see page 95

⇒ Other flue systems accessories available, see pages 92 (Alu/PPs), 95 (PPs flex) and 98 (common accessories)

## 12 CONFIGURATION C<sub>43X</sub> - CONNECTING A FORCED FLUE BOILER TO A SHARED FLUE SYSTEM



To size such a system, contact the flue system supplier

**Note:** it is possible to put boilers with differing outputs on the same conduit, consult the conduit manufacturer.

⇒ Examples of 3 a shared flue system sizing - inside the building

Boiler types	Ø of the collective conduit (mm) (internal/external)	Number of gas appliances connectable	
		1	2
MCR-P 24 PLUS	130/200	5	6
	180/250	8	10
	230/350	17	20
MCR-P 24/28 MI PLUS	130/200	6	6
	180/250	8	10
	250/350	18	20
MCR-P 30/35 MI PLUS	130/200	4	4
	180/250	7	8
	230/350	15	16
MCR-P 34/39 MI PLUS	130/200	4	4
	180/250	8	8
	250/350	15	14

**Example:** For 10 identical MCR-P 24/28 MI PLUS boilers with a burner output of 24 kW, pressure at the boiler nozzle of 100 Pa, in a 5-storey building, it is possible to install a conduit with an internal diameter of 180 mm and an external diameter of 250 mm.

⇒ Examples of 3 a shared flue system sizing - outside the building

		Number of gas appliances connectable			
Internal diameter of the conduit		130	150	180	250
External diameter of the conduit		194	214	244	314
Boiler types	MCR-P 24 PLUS	7	9	14	20
	MCR-P 24/28 MI PLUS	7	9	14	20
	MCR-P 30/35 MI PLUS	5	7	11	20
	MCR-P 34/39 MI PLUS	6	8	12	20

**Example:** For 6 identical MCR-P 24/28 MI PLUS boilers with a burner output of 24 kW, pressure at the boiler nozzle of 100 Pa, in a 6-storey building, it is possible to install a conduit with an internal diameter of 130 mm and an external diameter of 194 mm.

Calculations have been made according to the EN 15287 standard with:  
2.7 metres floor height.  
2 metres of Ø 80/125 mm connection pipe and two 90° elbows.  
Shared flue system with no deviation

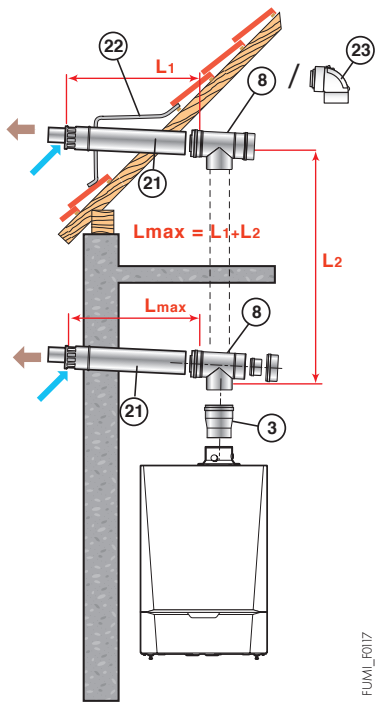
⇒ Alu/PPs flue systems accessories needed at the very least for connection to a collective conduit

Description	Diagrams with Dimensions/References	Boiler types	VIVADENS MCR-P...PLUS
		Package/Ref.	
Boiler connection kit on a shared flue system Ø 80/125 mm		DY887 100014000	X
Boiler conversion kit for incorporation of an air flap		DY884 S100913	X

⇒ Other flue systems accessories available, see page 92 (Alu/PPs)

# ELIDENS, INNOVENS PRO

## 1 CONFIGURATION C<sub>13X</sub> - CONCENTRIC HORIZONTAL FORCED FLUE ALU/PPs (CONNECTION TO AN EXTERNAL WALL OR A ROOF OUTLET)



FUMI\_F017  
Boiler shown:  
MCA connected to the horizontal forced  
flue Ø 110/150 mm (package DY881)

Boiler types	connect. Ø (mm)	Lmax (m)	
		60/100	110/150
ELIDENS DTG 130-45 INNOVENS PRO MCA 45		16	-
ELIDENS DTG 130-65 INNOVENS PRO MCA 65		-	9
ELIDENS DTG 130-90 INNOVENS PRO MCA 90		-	8
ELIDENS DTG 130-115 INNOVENS PRO MCA 115		-	5.9

connect. Ø (mm)	Equivalent length (m)	
	60/100	110/150
87° elbow	1.5	3.7
45° elbow	1.0	1.0
30° elbow	-	-
15° elbow	-	-
Straight inspection pipe	0.6	1.0
Inspection T	2.7	2.5
Inspection elbow	2.0	-
Condensates recup.	0.8	0.6

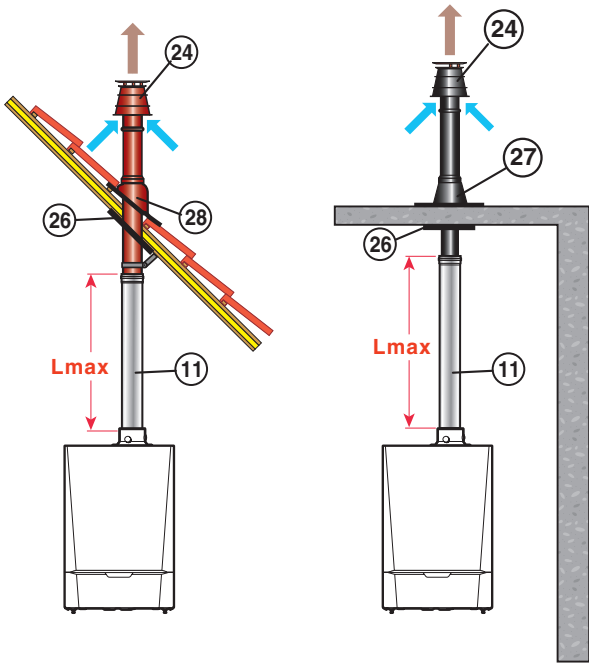
### ⇒ Alu/PPs flue systems accessories needed at the very least for connection to a horizontal forced flue

Description	Diagrams with Dimensions/References	Boiler types		
		ELIDENS DTG 130..., INNOVENS PRO MCA		
		45	65, 90, 115	
		connect. Ø (mm)	80/125	110/150
		Package/Ref.		
Horizontal forced flue Ø 80/125 mm with inspection elbow		DY882 100011365	X	
Horizontal forced flue Ø 110/150 mm with inspection T and adapter Ø 100/150 to Ø 110/150 mm		DY881 100011364		X

⇒ Other flue systems accessories available, see pages 92 (Alu/PPs) and 98 (common accessories)

# ELIDENS, INNOVENS PRO

## 2 CONFIGURATION C<sub>33X</sub> - CONCENTRIC VERTICAL FORCED FLUE ALU/PPs (CONNECTION TO SLOPING ROOF OR FLAT ROOF)



Boiler shown:  
MCA 45 connected to the vertical forced flue Ø 80/125 mm  
(package DY843/844)

Boiler types	connect. Ø (mm)	Lmax (m)	
		80/125	110/150
ELIDENS DTG 130-45 INNOVENS PRO MCA 45		14.5	-
ELIDENS DTG 130-65 INNOVENS PRO MCA 65		-	11.5
ELIDENS DTG 130-90 INNOVENS PRO MCA 90		-	10
ELIDENS DTG 130-115 INNOVENS PRO MCA 115		-	9.4

connect. Ø (mm)	Equivalent length (m)	
	80/125	110/150
87° elbow	1.5	3.7
45° elbow	1.0	1.0
30° elbow	-	-
15° elbow	-	-
Straight inspection pipe	0.6	1.0
Inspection T	2.7	2.5
Inspection elbow	2.0	-
Condensates recup.	0.8	0.6

(1) Location (3)  
(DY817) where appropriate

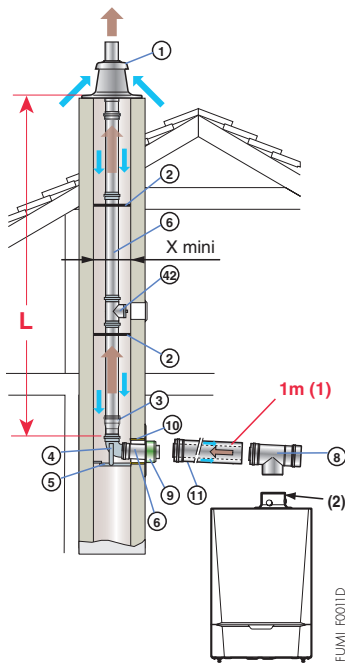
⇒ Alu/PPs flue systems accessories needed at the very least for connection to a vertical forced flue

Description	Diagrams with Dimensions/References	Boiler types	ELIDENS DTG 130..., INNOVENS PRO MCA		
			45	65, 90, 115	
			connect. Ø (mm)	80/125	110/150
Vertical forced flue Ø 80/125 mm (black or red)	DY843/844 (24) 	DY845 (24) 	DY843 100002732 (black) or DY844 100002733 (red)	X	
Vertical forced flue Ø 110/150 mm (black)			DY845 100002734 (black)		X
Adapter Ø 110/150 to Ø 100/150 mm		(3)	DY817 100002357		X

⇒ Other flue systems accessories available, see pages 92 (Alu/PPs) and 98 (common accessories)

# ELIDENS, INNOVENS PRO

## 3 CONFIGURATION C93X - CONCENTRIC ALU/PPS PIPES IN BOILER ROOM, SINGLE "RIGID" PPS PIPES IN CHIMNEY (COMBUSTIVE AIR IN COUNTER-CURRENT)



Boiler shown: MCA 45 connected with Ø 80/125 mm in boiler room and Ø 110 mm in chimney

Boiler types	connect. Ø (mm) - in boiler room - to chimney	Lmax (m)		
		80/125	110	110/150
ELIDENS DTG 130-45 INNOVENS PRO MCA 45		15	20	-
ELIDENS DTG 130-65 INNOVENS PRO MCA 65		-	-	16
ELIDENS DTG 130-90 INNOVENS PRO MCA 90		-	-	13.2
ELIDENS DTG 130-115 INNOVENS PRO MCA 115		-	-	10
	x mini □ (mm)	140	160	160
	Ø (mm)	160	180	180

connect. Ø (mm)	Equivalent length (m)			
	80/125	110/150	80	110
87° elbow	1.5	3.7	1.9	4.9
45° elbow	1.0	1.0	1.2	1.1
30° elbow	-	-	0.4	-
15° elbow	-	-	0.2	-
Straight inspection pipe	0.6	1.0	0.3	-
Inspection T	2.7	2.5	4.2	5.6
Inspection elbow	2.0	-	1.9	4.8
Condensates recup.	0.8	0.6	1.3	0.1

(1) For each additional metre of horizontal conduit, remove 1.2 m from the vertical length Lmax given in the table opposite.  
(2) Or location (3) where appropriate.

⇒ Alu/PPs or PPs flue systems accessories needed at the very least for air/flue gas connections using rigid pipes in an existing chimney flue

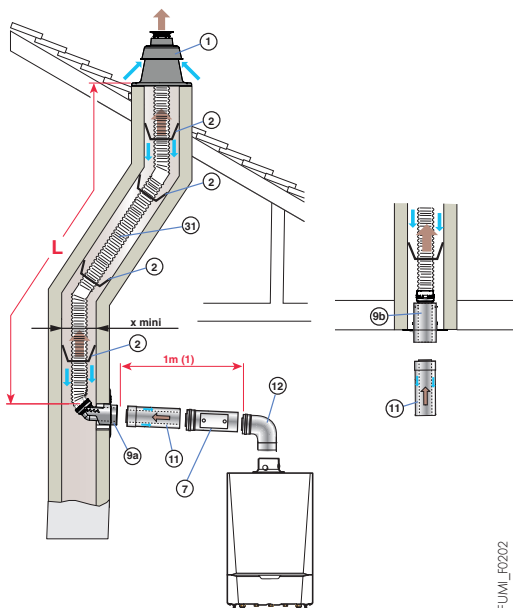
Description	Diagrams with Dimensions/References	Boiler types	ELIDENS DTG 130-45, INNOVENS PRO MCA 45			ELIDENS DTG 130-65 to 115, INNOVENS PRO MCA 65 to 115																							
			connect. Ø (mm) - in boiler room - in chimney	80/125	80/125		110/150																						
Boiler connection kit Ø 80/125 mm		DY716 84887716	X	X																									
Boiler connection kit Ø 110/150 mm	<table border="1"> <thead> <tr> <th></th> <th>A</th> <th>B</th> <th>C</th> <th>D</th> <th>E</th> </tr> </thead> <tbody> <tr> <td>DY818</td> <td>270</td> <td>120</td> <td>140</td> <td>165</td> <td>150</td> </tr> <tr> <td>DY716</td> <td>270</td> <td>130</td> <td>120</td> <td>140</td> <td>125</td> </tr> </tbody> </table>		A	B	C	D	E	DY818	270	120	140	165	150	DY716	270	130	120	140	125	DY818 100002360			X						
	A	B	C	D	E																								
DY818	270	120	140	165	150																								
DY716	270	130	120	140	125																								
Chimney connection kit Ø 80 mm		DY717 84887717	X																										
Chimney connection kit Ø 110 mm with adapter Ø 80 to Ø 110 mm		DY876 100008312		X																									
Chimney connection kit Ø 110 mm	<table border="1"> <thead> <tr> <th></th> <th>A</th> <th>B</th> <th>C</th> <th>D</th> <th>E</th> </tr> </thead> <tbody> <tr> <td>DY717</td> <td>80</td> <td>80</td> <td>120</td> <td>130</td> <td>210</td> </tr> <tr> <td>DY876</td> <td>80</td> <td>110</td> <td>120</td> <td>130</td> <td>210</td> </tr> <tr> <td>DY177</td> <td>110</td> <td>110</td> <td>110</td> <td>120</td> <td>230</td> </tr> </tbody> </table> * Only for DY876 ** Only for DY717		A	B	C	D	E	DY717	80	80	120	130	210	DY876	80	110	120	130	210	DY177	110	110	110	120	230	DY177 84887577			X
	A	B	C	D	E																								
DY717	80	80	120	130	210																								
DY876	80	110	120	130	210																								
DY177	110	110	110	120	230																								
Adapter Ø 110/150 to Ø 100/150 mm		DY817 100002357			X																								

\*ther flue systems accessories available, see pages 92 (Alu/PPs), 94 (PPs rigid) and 98 (common accessories)

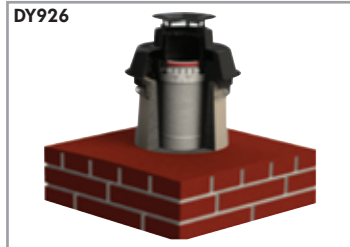


# ELIDENS DTG 130-45, INNOVENS PRO MCA 45

## 4 CONFIGURATION C93X - CONCENTRIC ALU/PPs PIPES IN BOILER ROOM, SINGLE « FLEX » PPs PIPES IN CHIMNEY (COMBUSTIVE AIR IN COUNTER-CURRENT)



We also offer an optional terminal Mitron for flex pipe (package DY926), in replacement of the terminal with flashing (see p. 95)



(I) For each additional metre of horizontal conduit, remove 1.2 m from the vertical length Lmax given in the table opposite.

Boiler shown: MCA connected with Ø 80/125 mm in boiler room and Ø 80 mm in chimney

Boiler types	Connect. Ø (mm)		Lmax (m)
	- in boiler room	- to chimney	
ELIDENS DTG 130-45 INNOVENS PRO MCA 45	80/125	80	12
x mini	Ø (mm)	Ø (mm)	140 160

Connect. Ø (mm)	Equivalent length (m)	
	80/125	80 flex
87° elbow	1.5	-
45° elbow	1.0	-
Straight inspection pipe	0.6	0.3
Inspection T	2.7	-
Inspection elbow	2.0	-
Condensates recup.	0.8	-

⇒ Alu/PPs and PPs flue systems accessories needed at the very least for connection using flex pipes in an existing chimney flue

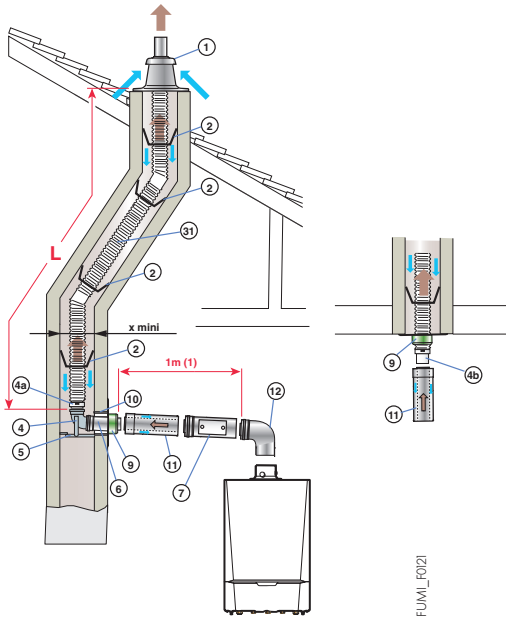
Description	Diagrams with Dimensions/References	Boiler types		ELIDENS DTG 130-45, INNOVENS PRO MCA 45	
		Ø connect. (mm)	- in boiler room	80/125	
			- in chimney	perpendicular to the conduit	in conduit
Boiler connection Quick-kit Ø 80/125 mm perpendicular to the conduit		DY925 7650958	X		
Boiler connection Quick-kit Ø 80/125 mm under conduit		DY927 7650964			X
Air/flue gas vent with flashing for flex pipe		DY899 100015329			X
Flex pipe Ø 80 mm Length 12.5 m (1)		DY897 100015327	X		X

(I) Other flex pipe lengths available see page 95

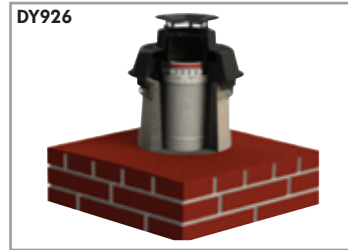
⇒ Other flue systems accessories available, see pages 92 (Alu/PPs), 95 (PPs flex) and 98 (common accessories)

# ELIDENS DTG 130-45, INNOVENS PRO MCA 45

## 4 CONFIGURATION C93X - CONCENTRIC ALU/PPS PIPES IN BOILER ROOM, SINGLE « FLEX » PPS PIPES IN CHIMNEY (COMBUSTIVE AIR IN COUNTER-CURRENT)



We also offer an optional terminal Mitron for flex pipe (package DY926), in replacement of the terminal with flashing (see p. 95)



(II) For each additional metre of horizontal conduit, remove 1.2 m from the vertical length Lmax given in the table opposite.

Boiler shown:  
MCA connected with Ø 80/125 mm in boiler room and Ø 80 mm in chimney

Boiler types	connect. Ø (mm)		Lmax (m)
	- in boiler room	- to chimney	
ELIDENS DTG 130-45 INNOVENS PRO MCA 45			80/125 80
	x mini	□ (mm)	140
		Ø (mm)	160

connect. Ø (mm)	Equivalent length (m)	
	80/125	80 flex
87° elbow	1.5	-
45° elbow	1.0	-
Straight inspection pipe	0.6	0.3
Inspection T	2.7	-
Inspection elbow	2.0	-
Condensates collector	0.8	-

⇒ Alu/PPS and PPS flue systems accessories needed at the very least for connection using flex pipes in an existing chimney flue

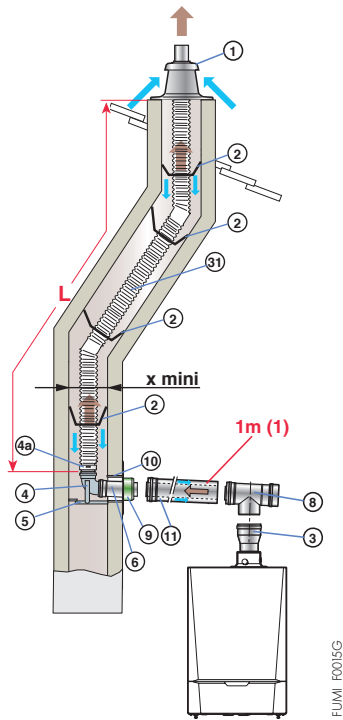
Description	Diagrams with Dimensions/References	Boiler types	ELIDENS DTG 130-45, INNOVENS PRO MCA 45	
		Package/Ref.	Ø connect. (mm)	
			- in boiler room	- in chimney
Boiler connection kit Ø 80/125 mm perpendicular to the conduit	DY 849 	DY 850 	80/125	80
Boiler connection kit Ø 80/125 mm under conduit			perpendicular to the conduit	in conduit
Adapter flex pipe		DY 904 100015880	X	X
Chimney connection kit Ø 80 mm		DY 895 100015325	X	
Air/flue gas vent with flashing for flex pipe		DY 899 100015329		X
Flex pipe Ø 80 mm Length 12.5 m (I)		DY 897 100015327	X	X

(I) Other flex pipe lengths available see page 95

⇒ Other flue systems accessories available, see pages 92 (Alu/PPS), 95 (PPS flex) and 98 (common accessories)

# ELIDENS DTG 130-65 TO 115, INNOVENS PRO MCA 65 TO 115

## 4 CONFIGURATION C93X - CONCENTRIC ALU/PPs PIPES IN BOILER ROOM, SINGLE PPs « FLEX » PIPES IN CHIMNEY (COMBUSTIVE AIR IN COUNTER-CURRENT)



Boiler types	connect. Ø (mm)		Lmax (m)
	- in boiler room	- to chimney	
ELIDENS DTG 130-65 INNOVENS PRO MCA 65			16,5
ELIDENS DTG 130-90 INNOVENS PRO MCA 90			13,5
ELIDENS DTG 130-115 INNOVENS PRO MCA 115			9,4
	x mini	□ (mm)	170
		Ø (mm)	190

connect. Ø (mm)	Equivalent length (m)	
	110/150	110 flex
87° elbow	3.7	-
45° elbow	1.0	-
Straight inspection pipe	1.0	0.5
Inspection T	2.5	-
Condensates recup.	0.6	-

(1) For each additional metre of horizontal conduit, remove 1.2 m from the vertical length Lmax given in the table opposite.

⇒ Alu/PPs and PPs flue systems accessories needed at the very least for connection using flex pipes in an existing chimney flue

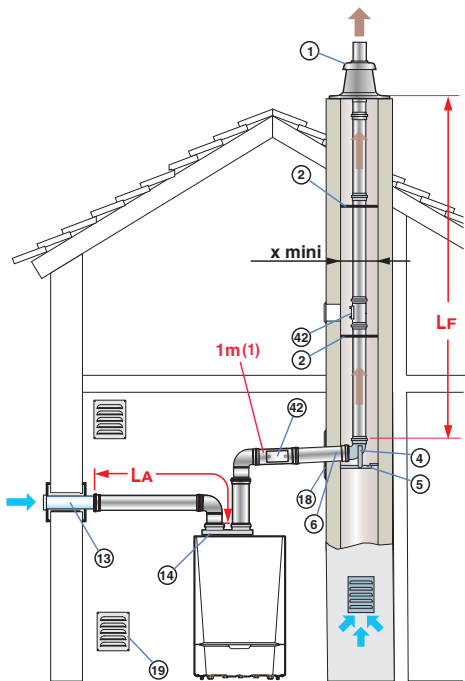
Description	Diagrams with Dimensions/References	Boiler types	
		ELIDENS DTG 130-65 to 115, INNOVENS PRO MCA 65 to 115	
		Ø connect. (mm)	
Boiler connection kit Ø 110/150 mm		- in boiler room 110/150	X
Chimney connection kit Ø 110 mm		- in chimney 110	X
Adapter Ø 110/150 to Ø 100/150 mm		Package/ Ref.	X
Flex pipe Ø 110 mm Length 15 m (1)			X

(1) Other flex pipe lengths available see page 95

⇒ Other flue systems accessories available, see pages 92 (Alu/PPs), 95 (PPs flex) and 98 (common accessories)

# ELIDENS, INNOVENS PRO

## 5 CONFIGURATION C<sub>53</sub> - SEPARATE AIR AND FLUE GAS PIPES IN PPs (OR ALU WITH Ø 100/150 MM) (COMBUSTIVE AIR TAKEN FROM OUTSIDE)



**Lmax: (LA + LF) max.**

(1) For each additional metre of horizontal conduit, remove 1.2 m from the vertical length Lmax given in the table opposite.

Boiler shown:  
MCA 65 to 115

⚠ Configuration only allowed in boiler room

Boiler types	with adapter Bi-flow (Ø mm)	Lmax (m)	
		80/125 to 2 x 80	100/150 to 2 x 100
ELIDENS DTG 130-45 INNOVENS PRO MCA 45		20.5	20.5
ELIDENS DTG 130-65 INNOVENS PRO MCA 65		-	23
ELIDENS DTG 130-90 INNOVENS PRO MCA 90		-	17.5
ELIDENS DTG 130-115 INNOVENS PRO MCA 115		-	16
	x mini □ (mm)	140	160
	○ (mm)	160	180

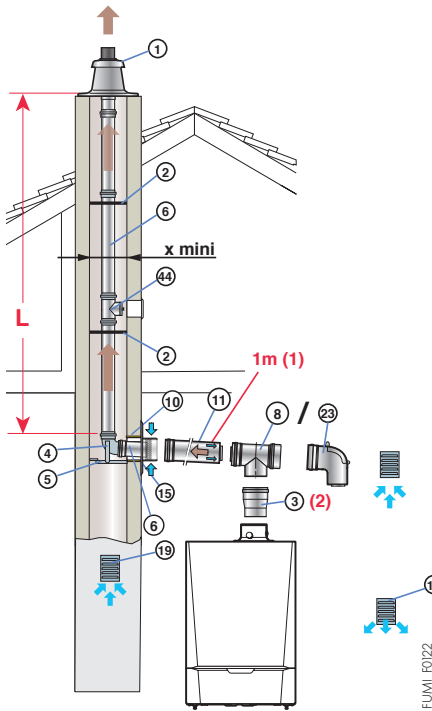
connect. Ø (mm)	Equivalent length (m)	
	80 (PPs)	100 (Alu)
87° elbow	1.9	5
45° elbow	1.2	1.2
30° elbow	0.4	-
15° elbow	0.2	-
Straight inspection pipe	0.3	0.5
Inspection T	4.2	5.3

### ⇒ Alu flue systems accessories needed at the very least for connection using separate air/flue gas pipes (bi-flow)

Description	Diagrams with Dimensions/References	Boiler types	ELIDENS DTG 130-		INNOVENS PRO MCA																			
			45	65 to 115	45	65 to 115																		
		Bi-flow adapter Ø (mm)	80/125 to 2 x 80	100/150 to 2 x 100	80/125 to 2 x 80	100/150 to 2 x 100																		
		Package/Ref.																						
Bi-flow adapter Ø 80/125 mm to 2 x Ø 80 mm	DY819	DY820	DY819 100002361	X																				
Bi-flow adapter Ø 100/150 mm to 2 x Ø 100 mm			DY 820 100002362		X																			
Bi-flow adapter Ø 80/125 mm to 2 x Ø 80 mm	DY906	DY907	DY906 S101762		X																			
Bi-flow adapter Ø 100/150 mm to 2 x Ø 100 mm			DY907 S101626			X																		
Outside air intake Ø 80 mm	DY38	DY810	DY38 84887438	X		X																		
Outside air intake Ø 100 mm			DY810 100002285		X	X																		
Chimney connection kit Ø 80 mm	<table border="1"> <thead> <tr> <th></th> <th>A</th> <th>B</th> <th>C</th> <th>D</th> <th>E</th> </tr> </thead> <tbody> <tr> <td>DY633</td> <td>100</td> <td>100</td> <td>100</td> <td>130</td> <td>230</td> </tr> <tr> <td>DY717</td> <td>80</td> <td>80</td> <td>120</td> <td>140</td> <td>220</td> </tr> </tbody> </table> * Only for DY717 		A	B	C	D	E	DY633	100	100	100	130	230	DY717	80	80	120	140	220	DY717 84887717 (PPs)	X		X	
	A	B	C	D	E																			
DY633	100	100	100	130	230																			
DY717	80	80	120	140	220																			
Chimney connection kit Ø 100 mm			DY633 84887633 (Alu)		X		X																	
Finishing plate for chimney Ø 80 mm	DY757	DY752	DY757 84887757	X		X																		
Finishing plate for chimney Ø 100 mm			DY752 84887752		X		X																	

# ELIDENS, INNOVENS PRO

## 6 CONFIGURATION B<sub>23p</sub>/B<sub>33</sub> - CONNECTION TO A CHIMNEY USING ALU/PPs PIPES IN BOILER ROOM, SINGLE "RIGID" PPs PIPES IN CHIMNEY (COMBUSTIVE AIR TAKEN FROM THE BOILER ROOM)



FUMI\_F0122

Boiler shown:  
MCA 45 to 115

Boiler types	connect. Ø - in boiler room - to chimney	Lmax (m)	
		80/125 80 rigid	110/150 110 rigid
ELIDENS DTG 130-45 INNOVENS PRO MCA 45		23.5	-
ELIDENS DTG 130-65 INNOVENS PRO MCA 65		-	40
ELIDENS DTG 130-90 INNOVENS PRO MCA 90		-	40
ELIDENS DTG 130-115 INNOVENS PRO MCA 115		-	40
	x mini □ (mm)	140	170
	Ø (mm)	160	190

connect. Ø (mm)	Equivalent length (m)			
	80	80/125	110	110/150
87° elbow	1.9	1.5	4.9	3.7
45° elbow	1.2	1.0	1.1	1.0
Inspection elbow	1.9	2.0	4.8	-
Inspection T	4.2	2.7	5.6	2.5
Straight inspection pipe	0.3	0.6	-	1.0
Condensates recup.	1.3	0.8	0.1	0.6

⇒ PPs flue systems accessories needed at the very least for chimney connection using rigid pipes

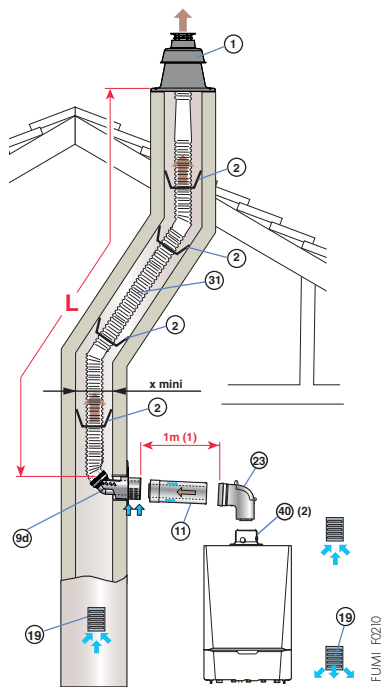
Description	Diagrams with Dimensions/References	Boiler types																				
		ELIDENS DTG 130-, INNOVENS PRO MCA																				
		45	65 to 115																			
		connect. Ø (mm) - in boiler room - in chimney	80/125 80	110/150 110																		
		Package/Ref.																				
Boiler connection kit Ø 80/125 mm	<table border="1"> <thead> <tr> <th></th> <th>A</th> <th>B</th> <th>C</th> </tr> </thead> <tbody> <tr> <td>DY913</td> <td>125</td> <td>80/125</td> <td>124</td> </tr> <tr> <td>DY914</td> <td>150</td> <td>110/150</td> <td>140</td> </tr> </tbody> </table> <p>* Only for DY913 ** Only for DY914</p>		A	B	C	DY913	125	80/125	124	DY914	150	110/150	140	DY913 100017527	X							
	A	B	C																			
DY913	125	80/125	124																			
DY914	150	110/150	140																			
Boiler connection kit Ø 110/150 mm		DY914 100017529		X																		
Chimney connection kit Ø 80 mm rigid	<table border="1"> <thead> <tr> <th></th> <th>A</th> <th>B</th> <th>C</th> <th>D</th> <th>E</th> </tr> </thead> <tbody> <tr> <td>DY717</td> <td>80</td> <td>80</td> <td>120</td> <td>130</td> <td>210</td> </tr> <tr> <td>DY177</td> <td>110</td> <td>110</td> <td>110</td> <td>120</td> <td>230</td> </tr> </tbody> </table> <p>** Only for DY717</p>		A	B	C	D	E	DY717	80	80	120	130	210	DY177	110	110	110	120	230	DY717 84887717	X	
	A	B	C	D	E																	
DY717	80	80	120	130	210																	
DY177	110	110	110	120	230																	
Chimney connection kit Ø 110 mm rigid		DY177 84887577		X																		
Adapter Ø 110/150 mm to Ø 100/150 mm		DY817 100002357		X																		

⇒ Other flue systems accessories available, see pages 92 (Alu/PPs), 94 (PPs rigid) and 98 (common accessories)

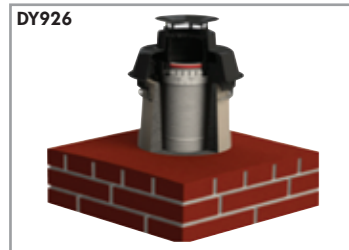
# ELIDENS DTG 130-45, INNOVENS PRO MCA 45



## 6 CONFIGURATION B<sub>23p</sub>/B<sub>33</sub> - CONNECTION TO A CHIMNEY USING ALU/PPs PIPES IN BOILER ROOM, SINGLE "FLEX" PPs PIPES IN CHIMNEY (COMBUSTIVE AIR TAKEN FROM THE BOILER ROOM)



We also offer an optional terminal Mitron for flex pipe (package DY926), in replacement of the terminal with flashing (see p. 95)



(1) For each additional metre of horizontal conduit, remove 1.2 m from the vertical length L<sub>max</sub> given in the table opposite

Boiler shown: MCA

Boiler types	Ø connect. (mm)		L <sub>max</sub> (m)
	- in boiler room	- in chimney	
ELIDENS DTG 130-45 INNOVENS PRO MCA 45			21
x mini	□ (mm)		140
	Ø (mm)		160

(\*) ⚠ The max height in the flue gas conduit from the support elbow to the outlet must not exceed 25 m (PPs flex). If greater lengths are used, fastening clamps should be added every 25 m.

Connect. Ø (mm)	Equivalent length (m)		
	80 rigid	80 flex	80/125
87° elbow	1.9	-	1.5
45° elbow	1.2	-	1.0
30° elbow	0.4	-	-
15° elbow	0.2	-	-
Inspection T	4.2	-	2.7
Straight inspection pipe	0.3	0.3	0.6
Inspection elbow	1.9	-	2.0
Condensates recup.	1.3	-	0.8

⇒ PPs flue systems accessories needed at the very least for connection to the chimney using rigid pipes in the boiler room and flex pipes in the chimney in configuration B<sub>23p</sub>/B<sub>33</sub>

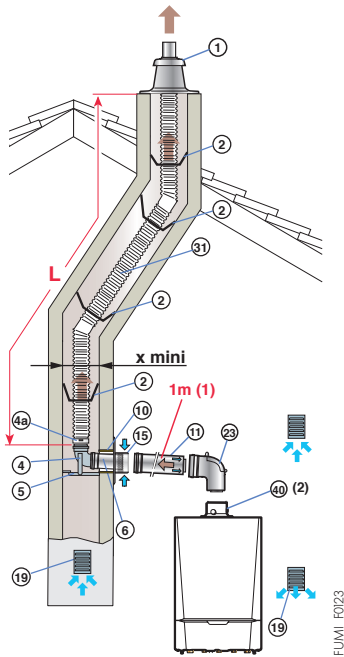
Description	Diagrams with Dimensions/References	Boiler types	
		ELIDENS DTG 130-45, INNOVENS PRO MCA 45	
		Ø connect. (mm)	- in boiler room - in chimney
Boiler connection Quick-kit Ø 80/125 mm			80/125 80
Flex pipe Ø 80 mm Length 12.5 m (1)		DY924 7650956	X
		DY897 100015327	X

(1) Other flex pipe lengths available see page 95

⇒ Other flue systems accessories available, see pages 92 (Alu/PPs), 95 (PPs flex) and 98 (common accessories)

# ELIDENS DTG 130-45, INNOVENS PRO MCA 45

## 6 CONFIGURATION B<sub>23p</sub>/B<sub>33</sub> - CONNECTION TO A CHIMNEY USING ALU/PPs PIPES IN BOILER ROOM, SINGLE "FLEX" PPs PIPES IN CHIMNEY (COMBUSTIVE AIR TAKEN FROM THE BOILER ROOM)



We also offer an optional terminal Mitron for flex pipe (package DY926), in replacement of the terminal with flashing (see p. 95)



(I) For each additional metre of horizontal conduit, remove 1.2 m from the vertical length L<sub>max</sub> given in the table opposite

Boiler shown:  
MCA

Boiler types	connect. Ø		L <sub>max</sub> (m)
	- in boiler room	- to chimney	
ELIDENS DTG 130-45 INNOVENS PRO MCA 45	80	125	21
	x mini	□ (mm)	140
		Ø (mm)	160

(\*) ⚠ The max height in the flue gas conduit from the support elbow to the outlet must not exceed 25 m (PPs flex). If greater lengths are used, fastening clamps should be added every 25 m.

connect. Ø (mm)	Equivalent length (m)		
	80 rigid	80 flex	80/125
87° elbow	1.9	-	1.5
45° elbow	1.2	-	1.0
30 elbow	0.4	-	-
15 elbow	0.2	-	-
Inspection T	4.2	-	2.7
Straight inspection pipe	0.3	0.3	0.6
Inspection elbow	1.9	-	2.0
Condensates recup.	1.3	-	0.8

⇒ PPs flue systems accessories needed at the very least for connection to the chimney using rigid pipes in the boiler room and flex pipes in the chimney

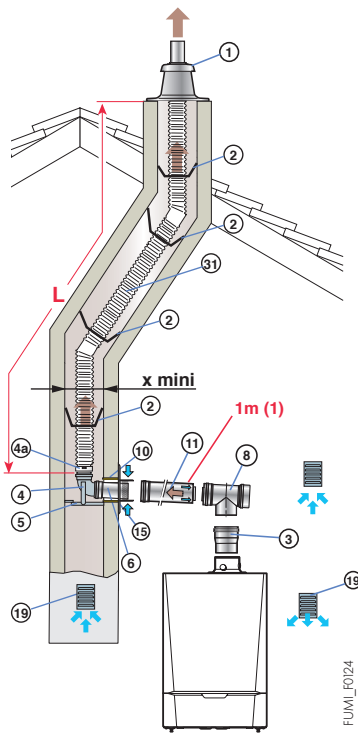
Description	Diagrams with Dimensions/References	Boiler types	
		connect. Ø (mm)	ELIDENS DTG 130-45, INNOVENS PRO MCA 45
		- in boiler room - in chimney	80/125 80
		Package/Ref.	
Boiler connection kit Ø 80/125 mm		DY913 100017527	X
Chimney connection kit Ø 80 mm		DY895 100015325	X
Flex pipe Ø 80 mm Length 12.5 m (I)		DY897 100015327	X

(I) Other flex pipe lengths available see page 95

⇒ Other flue systems accessories available, see pages 92 (Alu/PPs), 95 (PPs flex) and 98 (common accessories)

# ELIDENS DTG 130-65 TO 115, INNOVENS PRO MCA 65 TO 115

## 6 CONFIGURATION B<sub>23P</sub>/B<sub>33</sub> - CONNECTION TO A CHIMNEY USING ALU/PPs PIPES IN BOILER ROOM, SINGLE "FLEX" PPs PIPES IN CHIMNEY (COMBUSTIVE AIR TAKEN FROM THE BOILER ROOM)



Boiler types	connect. Ø		Lmax (m)
	- in boiler room	- to chimney	
ELIDENS DTG 130-65 INNOVENS PRO MCA 65			29.5 (*)
ELIDENS DTG 130-90 INNOVENS PRO MCA 90			24
ELIDENS DTG 130-115 INNOVENS PRO MCA 115			17.5
x mini	□ (mm)		170
	Ø (mm)		190

(\*) ⚠ The max height in the flue gas conduit from the support elbow to the outlet must not exceed 25 m (PPs flex). If greater lengths are used, fastening clamps should be added every 25 m.

connect. Ø (mm)	Equivalent length (m)		
	110 rigid	110 flex	110/150
87° elbow	2.0	-	3.7
45° elbow	1.1	-	1.0
Inspection elbow	4.8	-	-
Straight inspection pipe	-	0.5	1.0
Inspection T	5.6	-	2.5
Condensates recup.	0.1	-	0.6

⇒ PPs flue systems accessories needed at the very least for connection to the chimney using rigid pipes in the boiler room and flex pipes in the chimney

Description	Diagrams with Dimensions/References	Boiler types	
		ELIDENS DTG 130-65 to 115, INNOVENS PRO MCA 65 to 115	
		connect. Ø - in boiler room (mm)	110/150
		connect. Ø - in chimney (mm)	110
		Package/Ref.	
Boiler connection Ø 110/150 mm		DY914 100017529	X
Chimney connection kit Ø 110 mm flex		DY888 100015287	X
Adapter Ø 110/150 mm to Ø 100/150 mm		DY817 100002357	X
Flex pipe Ø 110 mm Length 15 m (I)		DY889 100015288	X

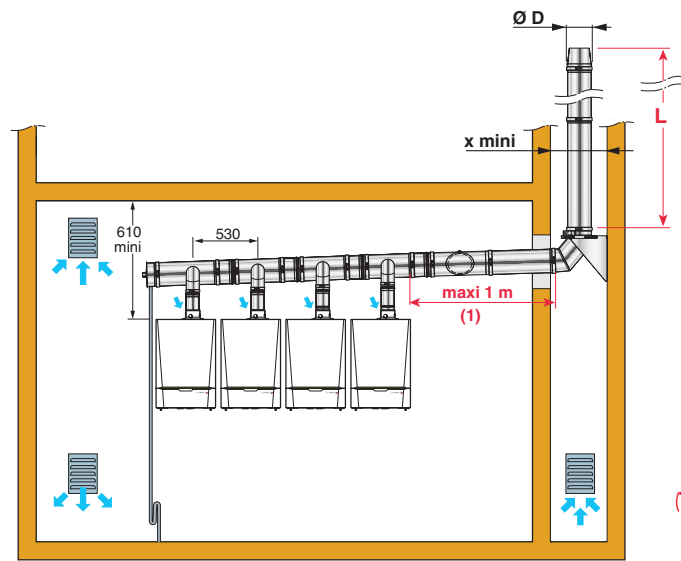
(I) other flex pipe lengths available see page ??

⇒ Other flue systems accessories available, see pages 92 (Alu/PPs), 95 (PPs flex) and 98 (common accessories)



# INNOVENS PRO MCA 45 TO 115 ONLY

## 7 CONFIGURATION B23P - CONNECTION TO A CHIMNEY FOR CASCADE INSTALLATION

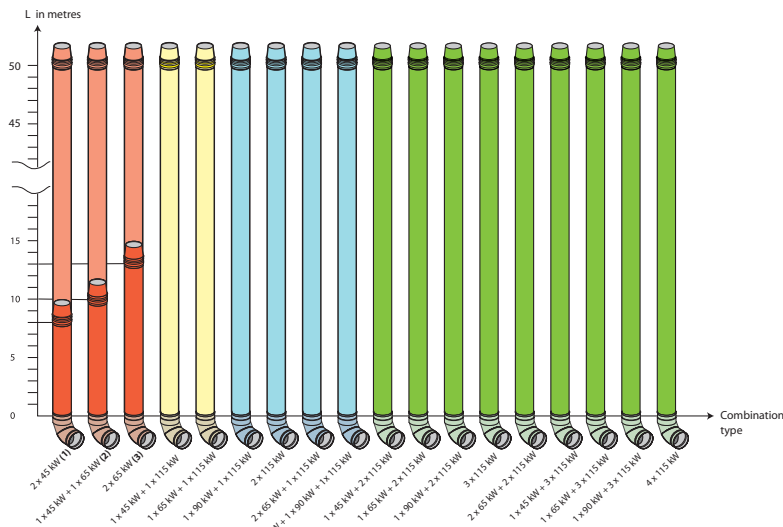


x mini	$\frac{\square}{\square}$ (mm)	D + 60
	$\frac{\square}{\square}$ (mm)	D + 80

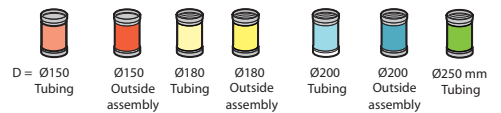
MCA\_F0075

Maximum admissible length L in m depending on the Ø of conduit D (in mm) for various "cascade" combinations

- "Cascade" combinations with boilers in wall-hung or floor-standing alignment



Key

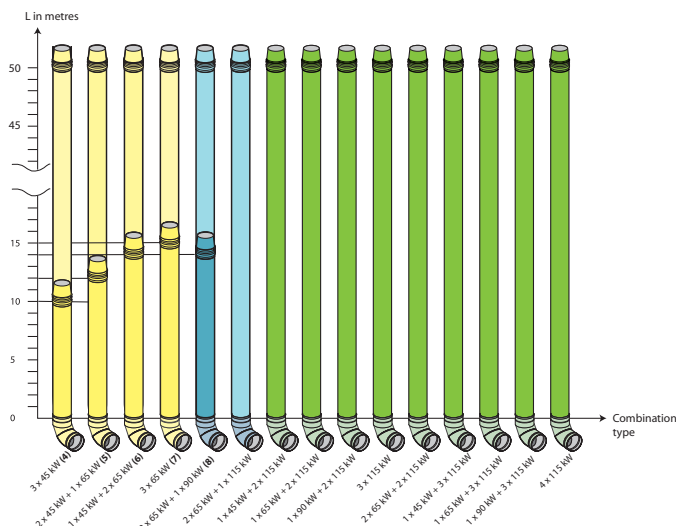


NB: in the case of conduits to the outside, the maximum height possible to guarantee operation is:

- (1): 7.90 m (2): 10.20 m (3): 13.10 m (4): 9.80 m  
 (5): 11.70 m (6): 14.00 m (7): 16.40 m (8): 14.30 m

MCS5E\_F0062

- "Cascade" combinations with boilers fitted back to back



- INNOVENS PRO MCA 45/65/90/115 boilers, operating at 80/60 °C
- Overpressure on boiler outlet less than 50 Pa

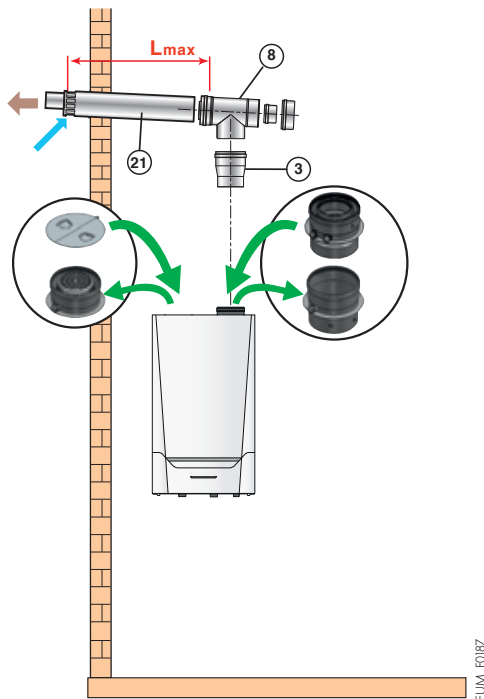
Note: These lengths are given as a guide. De Dietrich's liability may in no event be invoked. For configurations of different assemblies, please consult us for a specific calculation.

MCS5E\_F0063A

# INNOVENS PRO MCA 160

## 1 CONFIGURATION C<sub>13X</sub> - CONCENTRIC HORIZONTAL FORCED FLUE ALU/PPs (CONNECTION TO AN EXTERNAL WALL OR A ROOF OUTLET)

⚠ Configuration prohibited in building open to the public !



Boiler types	Ø connect. (mm)	Lmax (m)
INNOVENS PRO MCA 160	110/150	6

Ø connect. (mm)	Equivalent length (m)
110/150	
87° elbow	3.7
45° elbow	1.0
30° elbow	-
15° elbow	-
Straight inspection pipe	1.0
Inspection T	2.5
Inspection elbow	-
Condensates recup.	0.6

Alu/PPs flue systems accessories needed at the very least for connection to a horizontal forced flue

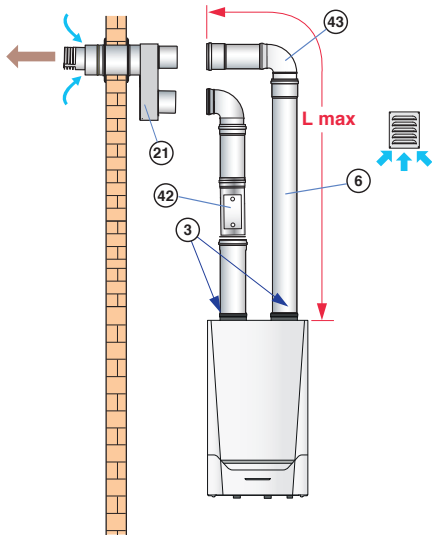
Description	Diagrams with Dimensions/References	Boiler types	INNOVENS PRO MCA 160
		Ø connect. (mm)	110/150
		Package/Ref.	
Concentric adapter kit air/flue gas Ø 150 mm in Ø 100/150 mm		EH692 7619539	X
Horizontal forced flue Ø 110/150 mm with inspection T and adapter Ø 100/150 to 110/150 mm		DY881 100011364	X

⇒ Other flue systems accessories available, see pages 92 (Alu/PPs) and 98 (common accessories)

# INNOVENS PRO MCA 160

## 1 CONFIGURATION C<sub>13</sub> - CONCENTRIC HORIZONTAL FORCED FLUE ALU/GALVANIZED STEEL OR PPS/GALVANIZED STEEL (CONNECTION TO OUTSIDE WALL)

⚠ Configuration prohibited in building open to the public !



FUMI\_E0184

Boiler types	Ø connect. (mm)	L <sub>max</sub> (m)
		150 or 160
INNOVENS PRO MCA 160		20

Ø connect. (mm)	Equivalent length (m)	
	150 (Alu)	160 (PPs)
87° elbow	6.4	5
45° elbow	1.7	1.4
Inspection elbow	-	5
Straight inspection pipe	0.5	0.9
Inspection T	6.4	-

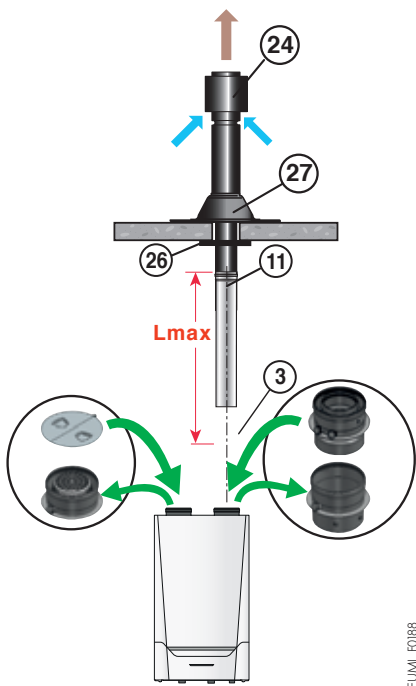
⇒ Alu/Galvanized steel or PPs/Galvanized steel flue systems accessories needed at the very least for connection to a horizontal forced flue

Description	Diagrams with Dimensions/References	Boiler types	INNOVENS PRO MCA 160	
		Ø connect. (mm)	150 (Alu)	160 (PPs)
		Package/Ref.		
Horizontal forced flue Alu/Galvanized steel Ø 150/220 mm	(21)	DY831 100002469	X	
Horizontal forced flue PPs/Galvanized steel Ø 160/220 mm	(21)	DY827 100002401		X
Adapter Ø 150 to Ø 160 mm	(3)	DY825 100002399		X

⇒ Other flue systems accessories available, see pages 94 (PPs), 96 (Alu) and 98 (common accessories)

# INNOVENS PRO MCA 160

## 2 CONFIGURATION C<sub>33X</sub> - CONCENTRIC VERTICAL FORCED FLUE ALU/PPs (CONNECTION TO SLOPING ROOF OR FLAT ROOF)



FUMI\_F0188

Boiler types	Ø connect. (mm)	Lmax (m)
INNOVENS PRO MCA 160	110/150	6

Ø connect. (mm)	Equivalent length (m)
87° elbow	3.7
45° elbow	1.0
30° elbow	-
15° elbow	-
Straight inspection pipe	1.0
Inspection T	2.5
Inspection elbow	-
Condensates recup.	0.6

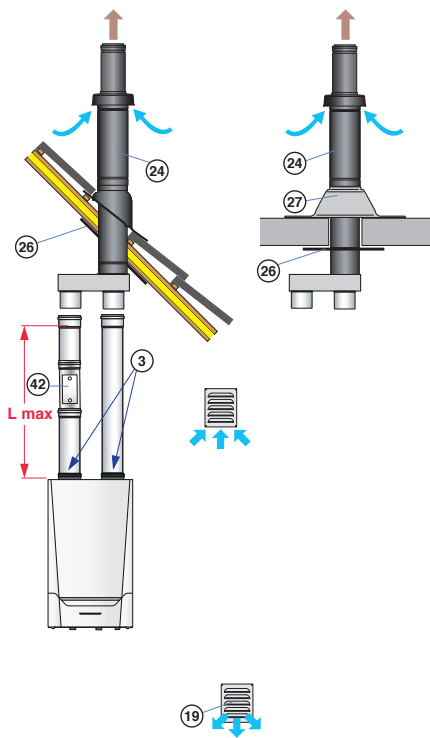
⇒ Alu/PPs flue systems accessories needed at the very least for connection to a vertical forced flue:

Description	Diagrams with Dimensions/References	Boiler types	INNOVENS PRO MCA 160
		Ø connect. (mm)	110/150
		Package/Ref.	
Vertical air/flue gas terminal Ø 110/150 mm (black)	<p>24</p>	DY845 100002734 (black)	X
Adapter Ø 110/150 sur 100/150 mm	<p>3</p>	DY817 100002357	X
Concentric adapter kit air/flue gas Ø 150 mm in Ø 100/150 mm	<p>EH692 7619539</p>		X

⇒ Other flue systems accessories available, see pages 92 (Alu/PPs) and 98 (common accessories)

# INNOVENS PRO MCA 160

## 2 CONFIGURATION C<sub>33</sub> - CONCENTRIC VERTICAL FORCED FLUE ALU/GALVANIZED STEEL OR PPs/GALVANIZED STEEL (CONNECTION TO SLOPING ROOF OR FLAT ROOF)



Boiler types	Ø connect. (mm)	Lmax (m)
INNOVENS PRO MCA 160	150 on 160	20

Ø connect. (mm)	Equivalent length (m)	
	150 (Alu)	160 (PPs)
87° elbow	6.4	5
45° elbow	1.7	1.4
Inspection elbow	-	5
Straight inspection pipe	0.5	0.9
Inspection T	6.4	-

FUMI\_F0185

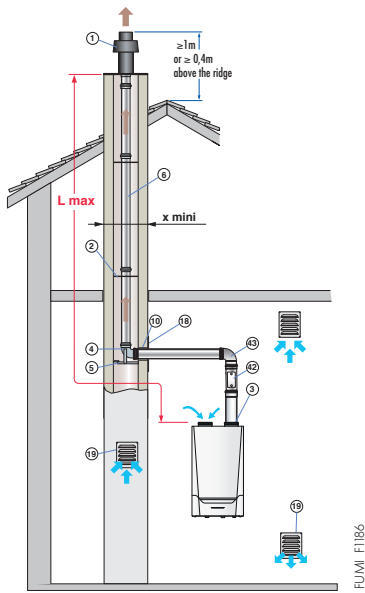
⇒ Alu/Galvanized steel or PPs/Galvanized steel flue systems accessories needed at the very least for connection to a vertical forced flue:

Description	Diagrams with Dimensions/References	Boiler types	INNOVENS PRO MCA 160	
		Ø connect. (mm)	150 (Alu)	160 (PPs)
		Package/Ref.		
Vertical forced flue Alu/Galvanized steel Ø 150/220 mm	(24)	DY835 100002473	X	
Vertical forced flue PPs/Galvanized steel Ø 160/220 mm	(24)	DY826 100002400		X
Adapter Ø 150 sur 160 mm	(3)	DY825 100002399		X

⇒ Other flue systems accessories available, see pages 94 (PPs), 96 (Alu) and 98 (common accessories)

# INNOVENS PRO MCA 160

## 6 CONFIGURATION B23P - CONNECTION TO A CHIMNEY USING ALU OR PPs "RIGID" PIPES IN THE BOILER ROOM AND IN THE CHIMNEY (COMBUSTIVE AIR TAKEN FROM THE BOILER ROOM)



Boiler types	Ø connect. (mm)	Lmax (m)	
		150 Alu	160 PPs
INNOVENS PRO MCA 160		40	50
x mini	□ (mm)	220	220
	Ø (mm)	240	240

Ø connect. (mm)	Equivalent length (m)	
	150 (Alu)	160 (PPs)
87° elbow	6.4	5
45° elbow	1.7	1.4
Inspection elbow	-	5
Straight inspection pipe	0.5	0.9
Inspection T	6.4	-

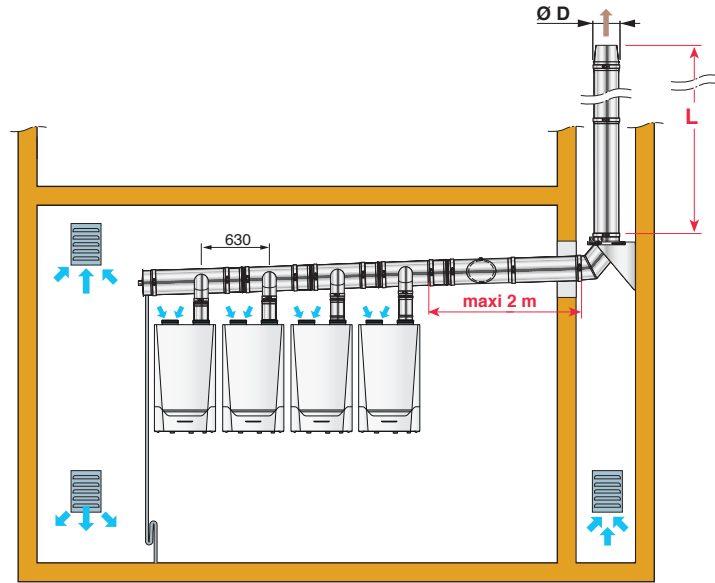
⇒ Alu or PPs flue systems accessories needed at the very least for connection to chimney

Description	Diagrams with Dimensions/References	Boiler types	INNOVENS PRO MCA		
		Ø connect. (mm)	150 (Alu)	160 (PPs)	
		Package/Ref.			
Air/flue gas vent with flashing Ø 150 mm Alu	DY780 <sup>①</sup> 	DY837 <sup>①</sup> 	DY780 84887780	X	
Air/flue gas vent with flashing Ø 160 mm PPs			DY837 100002475		X
87° elbow with bracket Ø 150 mm Alu	DY855 <sup>④ + ⑤</sup> 	DY836 <sup>④ + ⑤</sup> 	DY855 100003968	X	
87° elbow with bracket Ø 160 mm PPs			DY836 100002474		X
Finishing plate for chimney Ø 150 mm Alu	DY856 <sup>⑱</sup> 	DY838 <sup>⑱</sup> 	DY856 100003969	X	
Finishing plate for chimney Ø 160 mm PPs			DY838 100002476		X
Sleeve Ø 165 mm		<sup>⑩</sup>	DY773 84887773	X	X
Adapter Ø 150 to 160 mm		<sup>③</sup>	DY825 100002399		X
87° elbow Ø 150 mm Alu		<sup>④③</sup>	DY649 84887649	X	
87° elbow Ø 160 mm PPs		<sup>④③</sup>	DY823 100002397		X

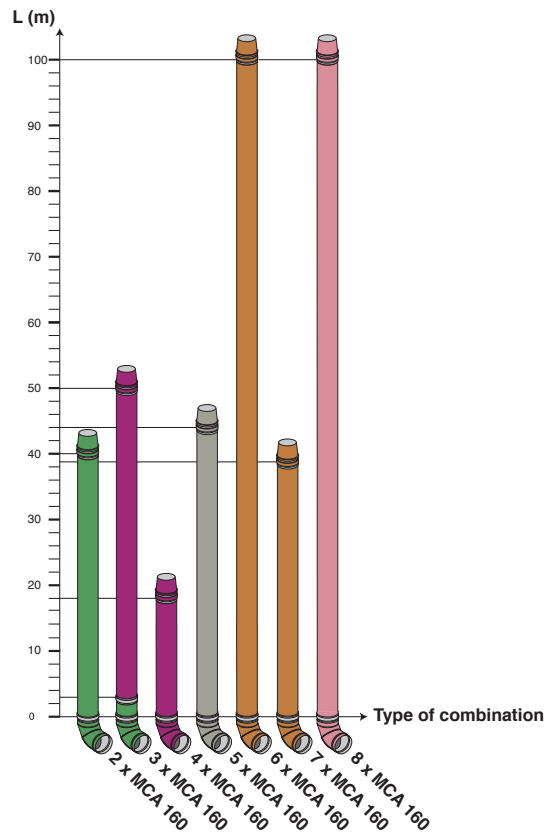
⇒ Other flue systems accessories available, see pages 94 (PPs), 96 (Alu) and 98 (common accessories)

# INNOVENS PRO MCA 160

## 7 CONFIGURATION B23P - CONNECTION TO A CHIMNEY FOR CASCADE INSTALLATION



Maximum admissible length  $L$  (in m) depending on the  $\varnothing$  of the conduit  $D$  (in mm) for various "cascade" combinations (These lengths have been defined in accordance with the dimensional constraints given in the above diagram. For different dimensional constraints, consult us).



### Key

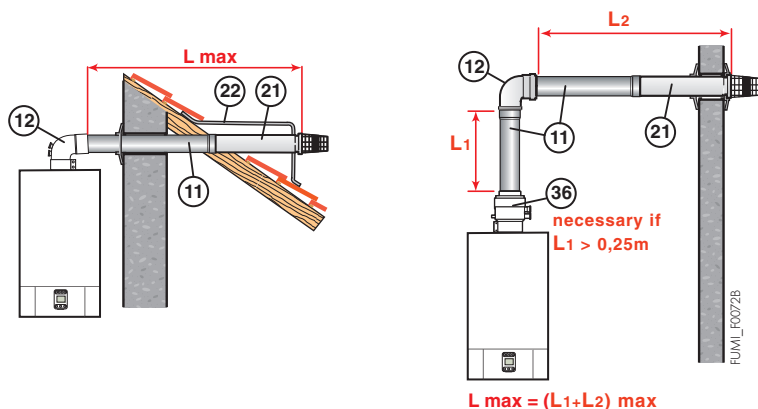


• INNOVENS PRO MCA 160 boilers, operating at 40/30 °C

**Note:** These lengths are given as a guide. De Dietrich's liability may in no event be invoked. For configurations of different assemblies, please consult us for a specific calculation.

# ZENA, ZENA PLUS

## 1 CONFIGURATION C<sub>12x</sub> - CONNECTION TO A HORIZONTAL FORCED FLUE ALU/ALU (CONNECTION TO AN EXTERNAL WALL OR A ROOF OUTLET)



Boiler types	connect. Ø (mm)	Lmax (m)	
		60/100	80/125
ZENA MS ... FF		4	10
ZENA PLUS MSL 24 FF, 24 MI FF		5	9
ZENA PLUS MSL 28 MI FF		4	8
ZENA PLUS MSL 31 FF, 31 MI FF		3	7

connect. Ø (mm)	Equivalent length (m)	
	60/100	80/125
87° elbow	1.1	1
45° elbow	0.8	0.8
Condensates collector	1.4	0.2

⇒ Alu/Alu flue systems accessories needed at the very least for connection to a horizontal forced flue

Description	Diagrams with Dimensions/References	Boiler types	MS ... FF, MSL... FF	
		connect. Ø (mm)	60/100	80/125
		Package/Ref.		
Horizontal forced flue Ø 60/100 mm, Length 800 mm	(21)	DY908 100016485	X (2)	
Horizontal forced flue Ø 80/125 mm, Length 730 mm	(21)	CX119 84837119		X
Adapter condensates collector Ø 60/100 to Ø 80/125 mm	(36)	DY909 100016486		X
87° elbow Ø 80/125 mm	(12)	CX76 84837743		X

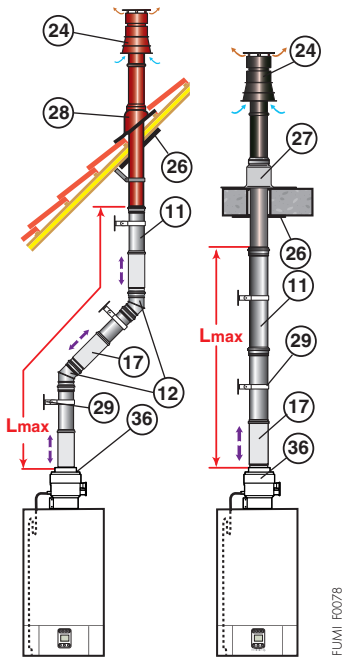
(2) A condensates collector (package DY910 - Ref. 100016487) is necessary by Ø 60/100 mm connection, if L<sub>1</sub> ≥ 0.25 m

⇒ Other flue systems accessories available, see pages 93 (Alu/Alu) and 98 (common accessories)



# ZENA, ZENA PLUS

## 2 CONFIGURATION C<sub>32x</sub> - CONCENTRIC VERTICAL FORCED FLUE ALU/ALU (CONNECTION TO SLOPING ROOF OR FLAT ROOF)



Boiler types	connect. Ø (mm)	L <sub>max</sub> (m)	
		60/100	80/125
ZENA MS... FF		-	9
ZENA PLUS MSL... FF		2	8

connect. Ø (mm)	Equivalent length (m)	
	60/100	80/125
87° elbow	1.1	1
45° elbow	0.8	0.8
Condensates collector	1.4	0.2

⇒ Alu/Alu flue systems accessories needed at the very least for connection to a vertical forced flue

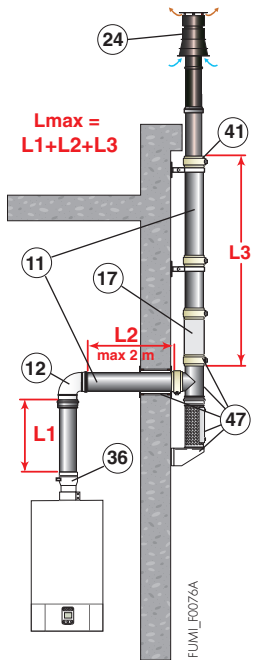
Description	Diagrams with Dimensions/References	Boiler types	MSL... FF	MS... FF, MSL... FF
		connect. Ø (mm)	60/100 on roof	80/125 on roof
		Package/Ref.		
Vertical forced flue Ø 80/125 mm (black or red)		<b>DY735</b> 84887735 (black) or <b>DY736</b> 84887736 (red)	X	X
Adapter- condensates collector Ø 60/100 to Ø 80/125 mm		<b>DY909</b> 100016486	X (I)	X

(I) To connect these boilers with Ø 60/100 mm, the adapter condensates collector (36) (DY909) should be placed directly at the base of the vertical forced flue.

⇒ Other flue systems accessories available, see pages 93 (Alu/Alu) and 98 (common accessories)

# ZENA, ZENA PLUS

## 2 CONFIGURATION C<sub>32x</sub> - CONCENTRIC VERTICAL FORCED FLUE ALU/ALU (FOR MOUNTING OUTSIDE)



Boiler types	connect. Ø (mm)	L <sub>max</sub> (m)
ZENA MS... FF	80/125	7
ZENA PLUS MSL... FF	80/125	6

connect. Ø (mm)	Equivalent length (m)
87° elbow	1
45° elbow	0.8
Condensates collector	0.2

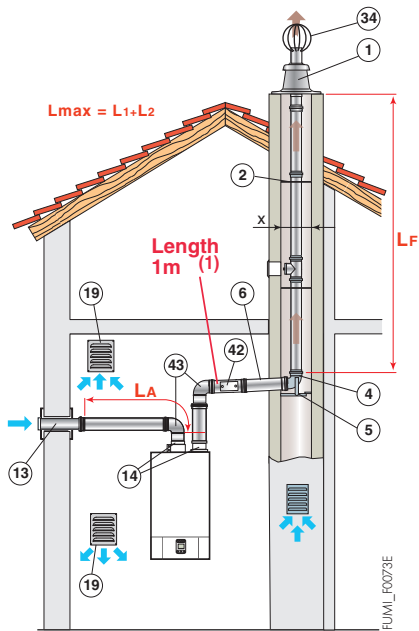
⇒ Alu/Alu flue systems accessories needed at the very least for connection to a vertical forced flue mounted outside

Description	Diagrams with Dimensions/References		Boiler types	MS... FF MSL... FF
			connect. Ø (mm)	80/125
			Package/Ref.	
Outside mounting kit Ø 80/125 mm	DY60 (47)	DY735 or DY736 (24)	DY60 84887460	X
Vertical forced flue Ø 80/125 mm (black or red)			DY735 84887735 (black) or DY736 84887736 (red)	X
Adapter condensates collector Ø 60/100 to Ø 80/125 mm			DY909 100016486	X
87° elbow Ø 80/125 mm			CX76 84837743	X

⇒ Other flue systems accessories available, see pages 93 (Alu/Alu) and 98 (common accessories)

# ZENA, ZENA PLUS

## 5 CONFIGURATION C<sub>52</sub> - SEPARATE AIR AND FLUE GAS PIPES IN PPS (COMBUSTIVE AIR TAKEN FROM OUTSIDE)



**L max. = LA + LF**  
**LA max. = 10 m**

(1) For each additional metre of horizontal conduit, remove 1.2 m from the vertical length Lmax given in the table opposite

**Lmax = LA + LF**

⚠ Configuration only allowed in boiler room

⇒ Alu flue systems accessories needed at the very least for connection using separate air/flue gas conduits (bi-flow)

Boiler types	with adapter bi-flow Ø (mm)	Lmax (m) 60/100 to 2 x 80
ZENA MS... FF		30
ZENA PLUS MSL 24 FF, 24 MI FF		40
ZENA PLUS MSL 31 FF, MSL 28 MI FF, MSL 31 MI FF		25
x mini	□ (mm)	140
	Ø (mm)	160

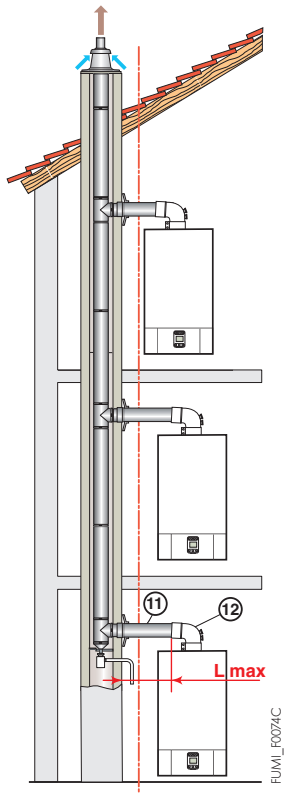
connect. Ø (mm)	Equivalent length (m) 80 (PPs)
87° elbow	1.9
45° elbow	1.2
30° elbow	0.4
15° elbow	0.2
Straight inspection pipe	0.3
Inspection T	4.2

Description	Diagrams with Dimensions/References	Boiler types	MS... FF MSL... FF										
		connect. Ø (mm)	2 x 80										
		Package/Ref.											
Bi-flow adapter	(14)	HX30 100016413	X										
Outside air inlet Ø 80 mm	(13)	DY38 84887438	X										
Chimney connection kit Ø 80 mm	<table border="1"> <thead> <tr> <th>A</th> <th>B</th> <th>C</th> <th>D</th> <th>E</th> </tr> </thead> <tbody> <tr> <td>80</td> <td>80</td> <td>120</td> <td>140</td> <td>220</td> </tr> </tbody> </table> (1)	A	B	C	D	E	80	80	120	140	220	DY717 84887717	X
A	B	C	D	E									
80	80	120	140	220									

⇒ Other flue systems accessories available, see pages 96 (Alu) and 98 (common accessories)

# ZENA, ZENA PLUS

## 12 CONFIGURATION C<sub>42x</sub> - CONNECTING A FORCED FLUE BOILER TO A SHARED FLUE SYSTEM



Boiler types	connect. Ø (mm)	Lmax (m)
ZENA MS... FF	60/100	4
ZENA PLUS MSL 24 FF, 24 MI FF	60/100	5
ZENA PLUS MSL 28 MI FF	60/100	4
ZENA PLUS MSL 31 FF, 31 MI FF	60/100	3

**Note:** it is possible to put boilers with differing outputs on the same conduit, consult the conduit manufacturer.

\* The connecting of MS 24 to a shared flue system is also possible, consult us.

⇒ Alu/Alu flue systems accessories needed at the very least for connection to a shared flue system

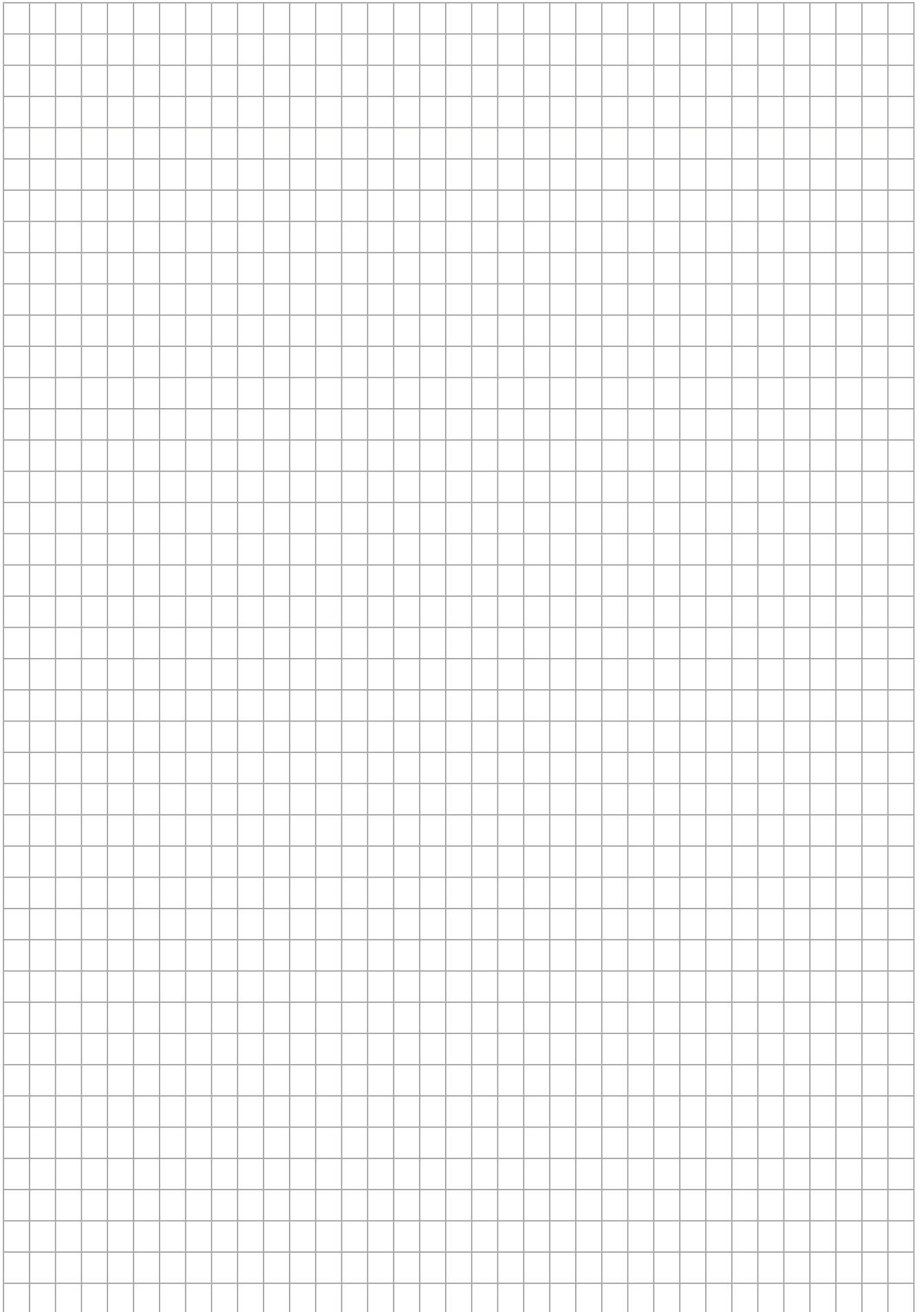
Description	Diagrams with Dimensions/References	Boiler types	MS... FF, MSL... FF
		connect. Ø (mm)	60/100
		Package/Ref.	
Boiler connection kit a shared flue system (*)		DY911 100016488	X

(\*) Connection kit suitable for Poujolat type 3CE conduit

⇒ Other flue systems accessories available, see pages 93 (Alu/Alu) and 98 (common accessories)

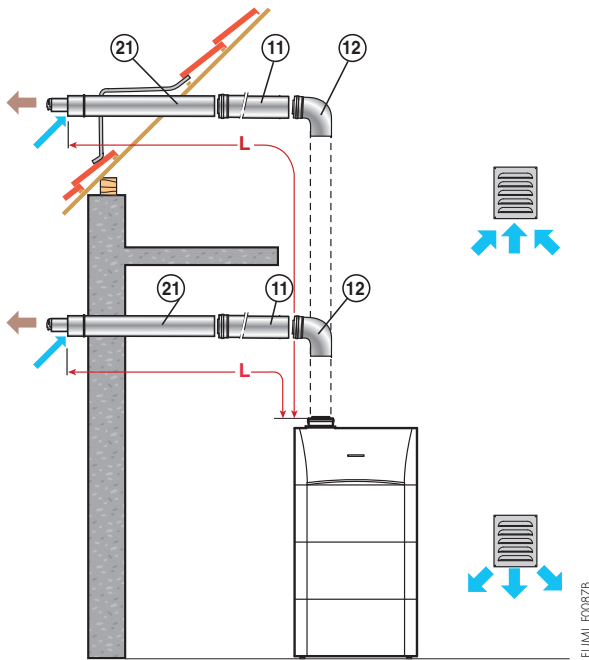
# NOTES

---



# MODULENS O<sup>®</sup>

## 1 CONFIGURATION C<sub>13</sub> - CONCENTRIC HORIZONTAL FORCED FLUE ALU/PPs (CONNECTION TO AN EXTERNAL WALL OR A ROOF OUTLET)



Boiler types	connect. Ø (mm)	L <sub>max</sub> (m) 80/125
MODULENS O <sup>®</sup> AFC... FF		8

connect. Ø (mm)	Equivalent length (m) 80/125
87° elbow	1.5
45° elbow	1
Straight inspection pipe	0.6
Inspection T	2.6
Inspection elbow	2

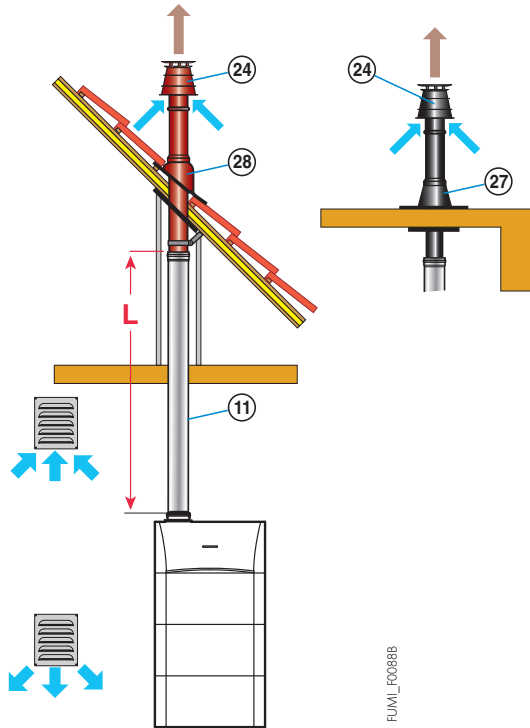
⇒ Alu/PPs flue systems accessories needed at the very least for connection to a horizontal forced flue

Description	Diagrams with Dimensions/References	Boiler types	MODULENS O <sup>®</sup> AFC... FF
		connect. Ø (mm)	80/125
		Package/Ref.	
Horizontal forced flue Ø 80/125 mm	(21)	FM183 100007638	X
Concentric elbow at 87°	(12)	DY131 84887531	X

⇒ Other flue systems accessories available, see pages 92 (Alu/PPs) and 98 (common accessories)

# MODULENS O®

## 2 CONFIGURATION C<sub>33</sub> - CONCENTRIC VERTICAL FORCED FLUE ALU/PPs (CONNECTION TO SLOPING ROOF OR FLAT ROOF)



Boiler types	connect. Ø (mm)	L <sub>max</sub> (m) 80/125
MODULENS O® AFC... FF		8

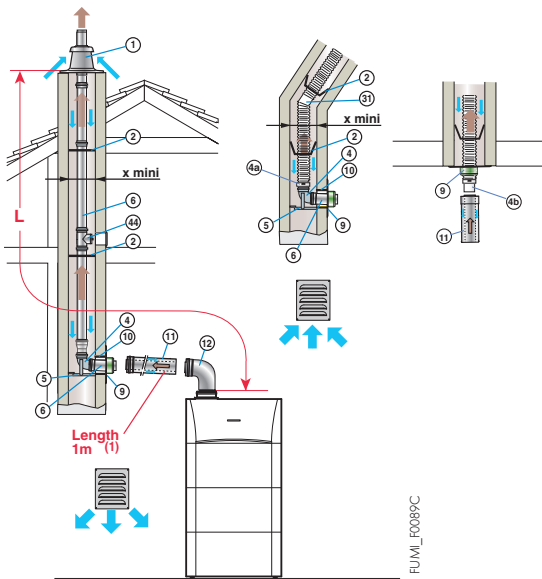
connect. Ø (mm)	Equivalent length (m) 80/125
87° elbow	1.5
45° elbow	1
Straight inspection pipe	0.6
Inspection T	2.6
Inspection elbow	2

⇒ Alu/PPs flue systems accessories for connection to a vertical forced flue

Description	Diagrams with Dimensions/References	Boiler types	MODULENS O® AFC... FF
		connect. Ø (mm)	80/125
		Package/Ref.	
Vertical forced flue Ø 80/125 mm (red or black)		<b>DY843</b> 100002732 (black) or <b>DY844</b> 100002733 (red)	X

⇒ Other flue systems accessories available, see pages 92 (Alu/PPs) and 98 (common accessories)

## 3 4 CONFIGURATION C93 - CONCENTRIC ALU/PPS PIPES IN BOILER ROOM, SINGLE "RIGID" OR "FLEX" PPS PIPES IN CHIMNEY (COMBUSTIVE AIR IN COUNTER-CURRENT)



We also offer an optional terminal Mitron for flex pipe (package DY926), in replacement of the terminal with flashing (see p. 95)



Boiler types	connect. Ø (mm)		Lmax (m)	
	- in boiler room	- to chimney	80/125	80 flex
MODULENS O® AFC... FF			18	15
	x mini	□ (mm)	140	140
		Ø (mm)	160	160

connect. Ø (mm)	Equivalent length (m)		
	80/125	80 rigid	80 flex
87° elbow	1.5	1.9	-
45° elbow	1	1.2	-
Straight inspection pipe	0.6	0.3	0.3
Inspection T	2.6	4.2	-
Inspection elbow	2	1.9	-

(I) For each additional metre of horizontal conduit, remove 1.2 m from the vertical length Lmax given in the table above

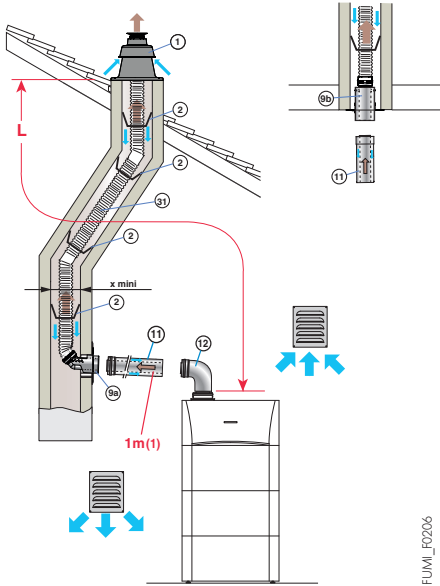
⇒ Alu/PPs or PPs flue systems accessories needed at the very least for air/flue gas connection using rigid or flex pipes in an existing chimney flue

Description	Diagrams with Dimensions/References	Boiler types Ø connect. (mm) Package/Ref.	MODULENS O® AFC... FF - in the boiler room: 80/125		
			in the chimney: 80 rigid	perpendicular to the conduit in the chimney: 80 flex	in the conduit
Chimney connection kit Ø 80 mm rigid		DY717 84887717	X		
Chimney connection kit Ø 80 mm flex pipe		DY895 100015325		X	
Boiler connection kit Ø 85/125 mm in conduit		DY850 100003272			X
Adapter flex pipe		DY904 100015880			X
Elbow at 87° concentric		DY131 84887531	X	X	
Sleeve Ø 141 mm		DY763 84887763	X	X	
Finishing plate Ø 125 mm		DY758 84887758	X	X	
Air/flue gas vent with flashing for flex pipe		DY899 100015329			X
Flex pipe Ø 80 mm Length 12.5 m (I)		DY897 100015327		X	X

(I) Other flex pipe lengths available see page 95



## 4 CONFIGURATION C93 - CONCENTRIC ALU/PPs PIPES IN BOILER ROOM, SINGLE "FLEX" PPs PIPES IN CHIMNEY (COMBUSTIVE AIR IN COUNTER-CURRENT)



We also offer an optional terminal Mitron for flex pipe (package DY926), in replacement of the terminal with flashing (see p. 95)



FUWI\_F0180

FUWI\_F0206

(1) For each additional metre of horizontal conduit, remove 1.2 m from the vertical length Lmax given in the table opposite

Boiler types	Ø connect. (mm)	Lmax (m)
	- in boiler room - to chimney	80/125 80 flex
MODULENS O® AFC... FF		15
	x mini	140
	Ø (mm)	160

Connect. Ø (mm)	Equivalent length (m)		
	80/125	80 rigid	80 flex
87° elbow	1.5	1.9	-
45° elbow	1	1.2	-
Straight inspection pipe	0.6	0.3	0.3
Inspection T	2.6	4.2	-
Inspection elbow	2	1.9	-

⇒ Alu/PPs or PPs flue systems accessories needed at the very least for air/flue gas connection using rigid or flex pipes in an existing chimney flue

Description	Diagrams with Dimensions/References	Boiler types	MODULENS O® AFC... FF	
		Ø connect. (mm)	- in boiler room: 80/125	
			- in chimney: 80 flex	
Package/Ref.	perpendicular to the conduit	in conduit		
Boiler connection Quick-kit Ø 80/125 mm perpendicular to the conduit		DY925 7650958	X	
Boiler connection Quick-kit Ø 80/125 mm under conduit		DY927 7650964		X
Air/flue gas vent with flashing for flex pipe		DY899 100015329		X
Flex pipe Ø 80 mm Length 12.5 m (1)		DY897 100015327	X	X

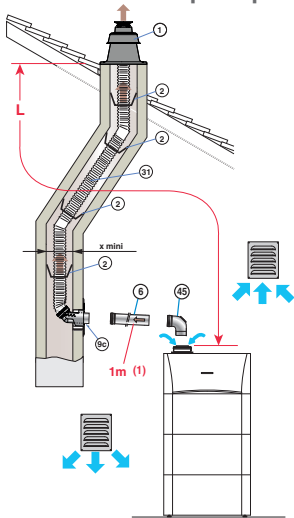
(1) Other flex pipe lengths available see page 95

⇒ Other flue systems accessories available, see pages 92 (Alu/PPs), 95 (PPs flex) and 98 (common accessories)

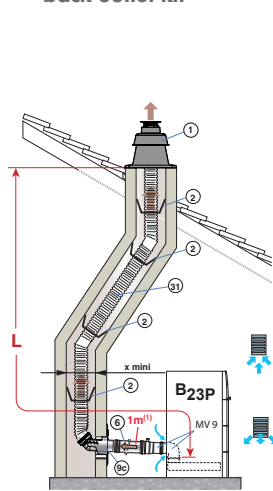
## 6 CONFIGURATION B23P - SINGLE PPs PIPES IN BOILER ROOM, SINGLE "RIGID" OR "FLEX" PPs PIPES IN CHIMNEY (COMBUSTIVE AIR TAKEN FROM BOILER ROOM)



⇨ With smoke output Top outlet



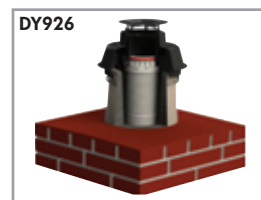
⇨ With smoke output Rear outlet with "back outlet kit"



Boiler types	Ø connect (mm)	Lmax (m)
MODULENS O <sup>®</sup> AFC... E		15
x mini	□ (mm)	140
	Ø (mm)	160

Connect. Ø (mm)	Equivalent length (m)	
	80 rigid	80 flex
87° elbow	1.9	-
45° elbow	1.2	-
Straight inspection pipe	0.3	0.3
Inspection T	4.2	-
Inspection elbow	1.9	-

We also offer an optional terminal Mitron for flex pipe (package DY926), in replacement of the terminal with flashing (see p. 95)



(I) For each additional metre of horizontal conduit, remove 1.2 m from the vertical length Lmax given in the table opposite

NB: to prevent noise transmission, do not brick the conduit into the chimney.

⇨ PPs flue systems accessories needed at the very least for connection to the chimney using rigid pipes in the boiler room and rigid or flex pipes in the chimney

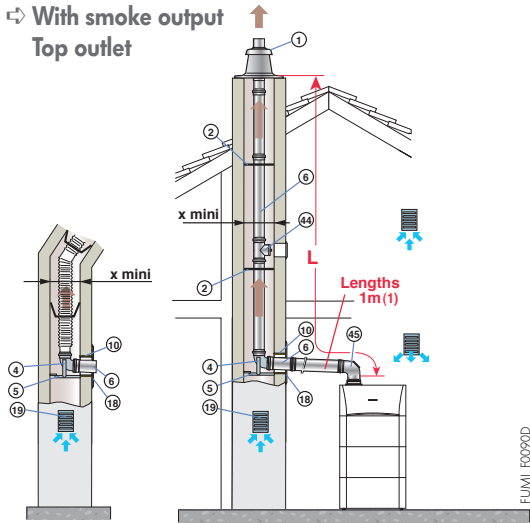
Description	Diagrams with Dimensions/References	Boiler types	MODULENS O <sup>®</sup> AFC... E	
		Ø connect. (mm)	80 flex with smoke output	
		Package/Ref.	top outlet	rear outlet
Chimney connection Quick-kit Ø 80 mm PPs flex		DY923 7650954	X	X
Inspection elbow simple Ø 80 mm		DY877 100008301	X	
Back outlet kit		MV9 100017720		X
Flex pipe Ø 80 mm Length 12.5 m (I)		DY897 100015327	X	X

(I) Other flex pipe lengths available see page 95

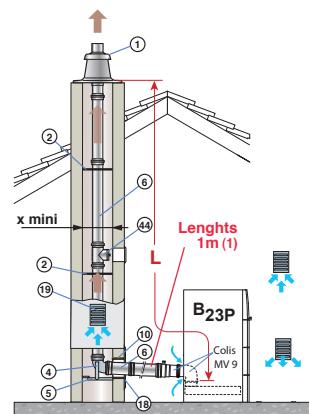
⇨ Other flue systems accessories available, see pages 92 (Alu/PPs), 94 (PPs rigid), 95 (PPs flex) and 98 (common accessories)

## 6 CONFIGURATION B23P - CONNECTION TO A CHIMNEY USING PPs PIPES IN BOILER ROOM, SINGLE "RIGID" OR "FLEX" PPs PIPES IN CHIMNEY (COMBUSTIVE AIR TAKEN FROM THE BOILER ROOM)

⇨ With smoke output  
Top outlet



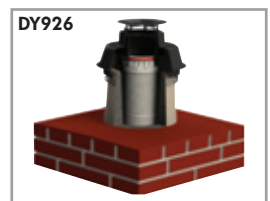
⇨ With smoke output  
Rear outlet with  
"back outlet kit"



Boiler types	connect. Ø (mm)	Lmax (m)	
		80 rigid	80 flex
MODULENS O® AFC... E		18	15
x mini	∇ (mm)	140	140
	Ø (mm)	160	160

connect. Ø (mm)	Equivalent length (m)	
	80 rigid	80 flex
87° elbow	1.9	-
45° elbow	1.2	-
Straight inspection pipe	0.3	0.3
Inspection T	4.2	-
Inspection elbow	1.9	-

We also offer an optional terminal Mitron for flex pipe (package DY926), in replacement of the terminal with flashing (see p. 95)



(1) For each additional metre of horizontal conduit, remove 1.2 m from the vertical length Lmax given in the table above.

NB: to prevent noise transmission, do not brick the conduit into the chimney.

⇨ PPs flue systems accessories needed at the very least for connection to the chimney using rigid pipes in the boiler room and rigid or flex pipes in the chimney

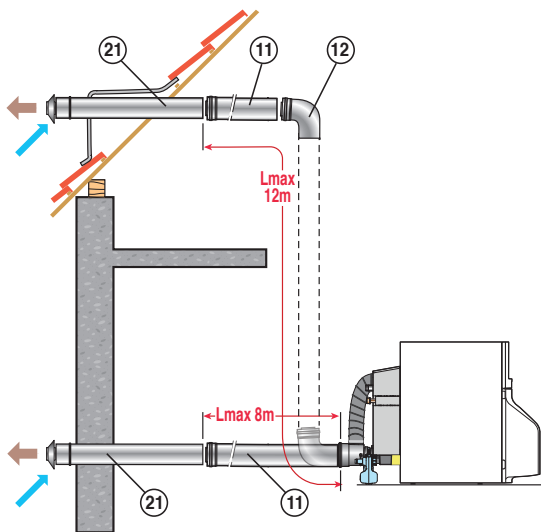
Description	Diagrams with Dimensions/References	Boiler types	MODULENS O® AFC... E			
		Ø connect. (mm)	80 rigid with:		80 flex with:	
		Package/Ref.	top outlet	rear outlet	top outlet	rear outlet
Chimney connection kit Ø 80 mm PPs rigid		DY717 84887717	X	X		
Chimney connection kit Ø 80 mm PPs flex		DY895 100015325			X	X
Sleeve Ø 124 mm	DY753	DY757	X	X	X	X
Finishing plate Ø 80 mm		DY757 84887757	X	X	X	X
Inspection elbow simple Ø 80 mm		DY877 100008301	X		X	
Back outlet kit		MV9 100017720		X		X
Flex pipe Ø 80 mm Length 12.5 m (1)		DY897 100015327			X	X

(1) Other flex pipe lengths available see page 95

⇨ Other flue systems accessories available, see pages 92 (Alu/PPs), 94 (PPs rigid), 95 (PPs flex) and 98 (common accessories)

# NEOvo CONDENS

## 1 CONFIGURATION C<sub>13</sub> - CONCENTRIC HORIZONTAL FORCED FLUE ALU/PPs (CONNECTION TO AN EXTERNAL WALL OR A ROOF OUTLET)



EF\_F0031A

Boiler types	connect. Ø (mm)	Lmax (m) 80/125
EFU C... 19 to 32 FF EFU C E... 19 to 32 FF		12 (I)

(I) with a horizontal pipe not exceeding 8 m.

connect. Ø (mm)	Equivalent length (m) 80/125
87° elbow	1.5
45° elbow	1
Straight inspection pipe	0.6
Inspection T	2.6
Inspection elbow	2

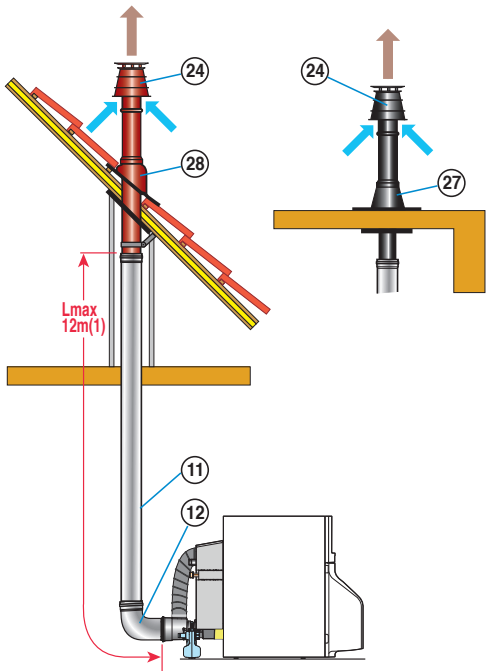
### ⇒ Alu/PPs flue systems accessories for connection to a horizontal forced flue

Description	Diagrams with Dimensions/References	Boiler types	EFU C...FF EFU C E...FF
		connect. Ø (mm)	80/125
		Package/Ref.	
Horizontal forced flue Ø 80/125 mm		FM183 100007638	X

### ⇒ Other flue systems accessories available, see pages 92 (Alu/PPs) and 98 (common accessories)

# NEOvo CONDENS

## 2 CONFIGURATION C<sub>33x</sub> - CONCENTRIC VERTICAL FORCED FLUE ALU/PPs (CONNECTION TO SLOPING ROOF OR FLAT ROOF)



EF\_F0032A

(I) For each additional metre of horizontal conduit, remove 1.2 m from the vertical length Lmax given in the table above.

Boiler types	connect. Ø (mm)	Lmax (m) 80/125
EFU C 19 to 32 FF		12 (I)
EFU C E 19 to 32 FF		12 (I)

(I) For each additional metre of horizontal pipe, remove 1.2 m from the vertical length Lmax shown in the table above.

connect. Ø (mm)	Equivalent length (m) 80/125
87° elbow	1.5
45° elbow	1
Straight inspection pipe	0.6
Inspection T	2.6
Inspection elbow	2

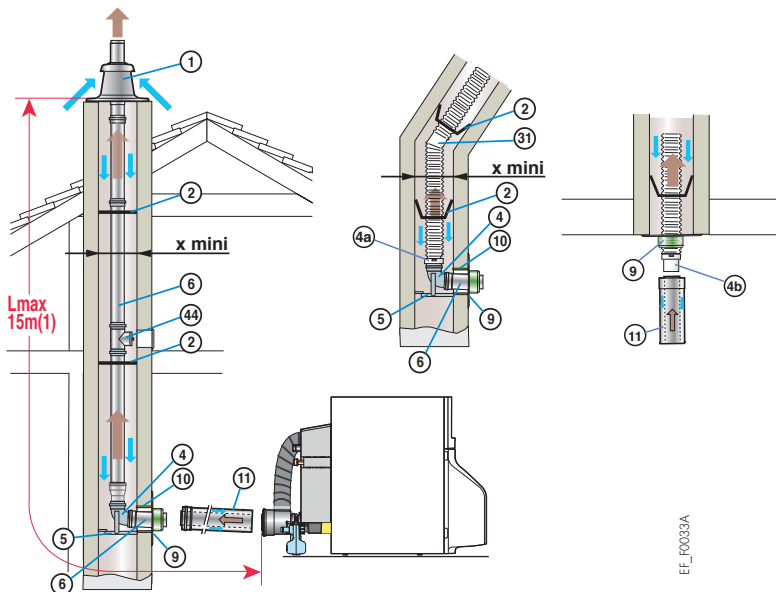
### ⇒ Alu/PPs flue systems accessories for connection to a vertical forced flue

Description	Diagrams with Dimensions/References	Boiler types	EFU C...FF EFU C E...FF
		connect. Ø (mm)	80/125
		Package/Ref.	
Vertical forced flue Ø 80/125 mm (black or red)		<b>DY843</b> 100002732 (black) or <b>DY844</b> 100002733 (red)	X
Concentric elbow at 87°		<b>DY131</b> 84887531	X

⇒ Other flue systems accessories available, see pages 92 (Alu/PPs) and 98 (common accessories)

# NEOvo CONDENS

## 3 CONFIGURATION C<sub>93x</sub> - CONCENTRIC ALU/PPs PIPES IN BOILER ROOM, SINGLE "RIGID" OR "FLEX" PPs PIPES IN CHIMNEY (COMBUSTIVE AIR IN COUNTER-CURRENT)



(1) For each additional metre of horizontal conduit, remove 1.2 m from the vertical length L<sub>max</sub> given in the table above.

Boiler types	connect. Ø (mm) - in boiler room - to chimney	L <sub>max</sub> (m)	
		80/125	80 flex
EFU C 19 to 32 FF		15	15
EFU C E 19 to 32 FF		15	15
	x mini □ (mm)	140	140
	Ø (mm)	160	160

connect. Ø (mm)	Equivalent length (m)		
	80/125	80 rigid	80 flex
87° elbow	1.5	1.9	-
45° elbow	1	1.2	-
Straight inspection pipe	0.6	0.3	0.3
Inspection T	2.6	4.2	-
Inspection elbow	2	1.9	-

We also offer an optional terminal Mitron for flex pipe (package DY926), in replacement of the terminal with flashing (see p. 95)



⇒ Alu/PPs or PPs flue systems accessories needed at the very least for air/flue gas connection using rigid or flex pipes in an existing chimney flue

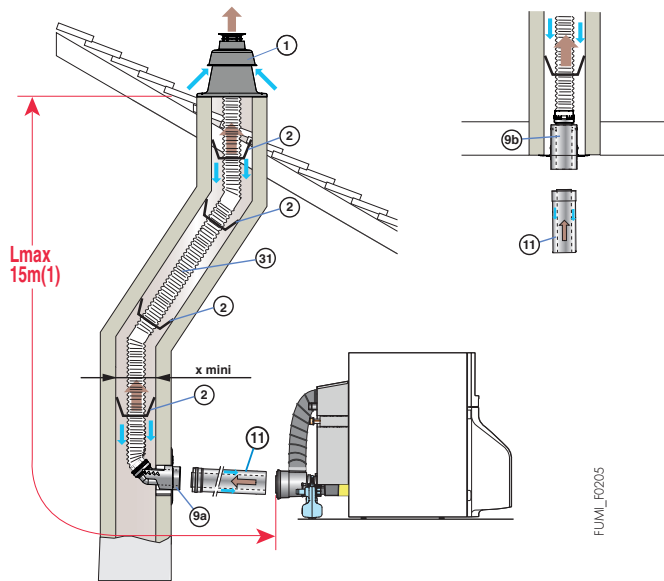
Description	Diagrams with Dimensions/References	Boiler types Ø connect. (mm) Package/Ref.	EFU C...FF EFU CE...FF	
			- in the boiler room: - in the chimney: 80 rigid	- in the chimney: 80 flex perpendicular to the conduit in the conduit
Chimney connection kit Ø 80 mm rigid		DY717 84887717	X	
Chimney connection kit Ø 80 mm flex pipe		DY895 100015325		X
Boiler connection kit Ø 85/125 mm in conduit	DY850  12	DY904  4b		X
Adapter flex pipe		DY904 100015880		X
Elbow at 87° concentric		DY131 84887531	X	X
Sleeve Ø 141 mm	DY763  10	DY758  9	X	X
Finishing plate Ø 125 mm		DY758 84887758	X	X
Air/flue gas vent with flashing for flex pipe	DY899  1	DY897  31		X
Flex pipe Ø 80 mm Length 12,5 m (1)		DY897 100015327	X	X

(1) Other flex pipe lengths available see page 95

⇒ Other flue systems accessories available, see pages 92 (Alu/PPs), 94 (PPs rigid), 95 (PPs flex) and 98 (common accessories)

# NEOvo CONDENS

## 3 CONFIGURATION C93x - CONCENTRIC ALU/PPs PIPES IN BOILER ROOM, SINGLE "RIGID" OR "FLEX" PPs PIPES IN CHIMNEY (COMBUSTIVE AIR IN COUNTER-CURRENT)

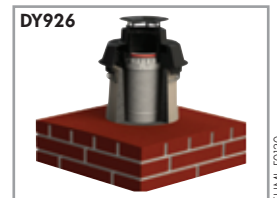


(1) For each additional metre of horizontal conduit, remove 1.2 m from the vertical length Lmax given in the table above.

Boiler types	Ø connect. (mm) - in boiler room - to chimney	Lmax (m) 80/125	
		80 rigid	80 flex
EFU C 19 to 32 (PLUS) FF		15	15
EFU C E 19 to 32 (PLUS) FF		15	15
	x mini □ (mm)	140	140
	Ø (mm)	160	160

Connect. Ø (mm) (mm)	Equivalent length (m)		
	80/125	80 rigid	80 flex
87° elbow	1.5	1.9	-
45° elbow	1	1.2	-
Straight inspection pipe	0.6	0.3	0.3
Inspection T	2.6	4.2	-
Inspection elbow	2	1.9	-

We also offer an optional terminal Mitron for flex pipe (package DY926), in replacement of the terminal with flashing (see p. 95)



⇒ Alu/PPs or PPs flue systems accessories needed at the very least for air/flue gas connection using rigid or flex pipes in an existing chimney flue

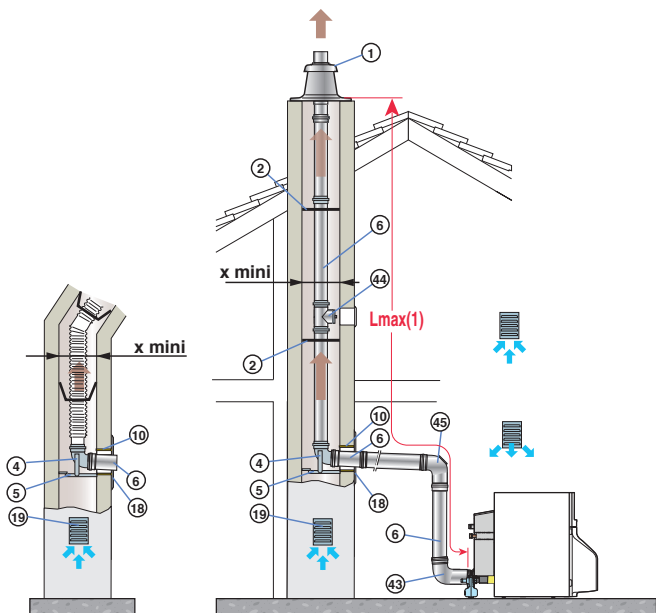
Description	Diagrams with Dimensions/References	Boiler types	EFU C (E).. (PLUS) FF	
		Ø connect. (mm)	- in boiler room: 80/125	
			- in chimney: 80 flex	
Package/Ref.	perpendicular to the conduit	in conduit		
Boiler connection Quick-kit Ø 80/125 mm perpendicular to the conduit		DY925 7650958	X	
Boiler connection Quick-kit Ø 80/125 mm under conduit		DY927 7650964		X
Elbow at 87° concentric		DY131 84887531		X
Air/flue gas vent with flashing for flex pipe		DY899 100015329		X
Flex pipe Ø 80 mm Length 12.5 m (1)		DY897 100015327	X	X

(1) Other flex pipe lengths available see page 95

⇒ Other flue systems accessories available, see pages 92 (Alu/PPs), 95 (PPs flex) and 98 (common accessories)

# NEOvo CONDENS

## 6 CONFIGURATION B<sub>23P</sub> - CONNECTION TO A CHIMNEY USING PPs PIPES IN BOILER ROOM, SINGLE "RIGID" OR "FLEX" PPs PIPES IN CHIMNEY (COMBUSTIVE AIR TAKEN FROM THE BOILER ROOM)



(I) For each additional metre of horizontal conduit, remove 1.2 m from the vertical length Lmax given in the table above.

Boiler types	Ø connect (mm)	Lmax (m)			
		80		110	
		rigid	flex	rigid	flex
EFU C 19 to 32		15	15	-	-
EFU C E 19 to 32		15	15	-	-
EFU C 40 and 50		-	-	20	20
x mini	□ (mm)	140	140	220	220
	Ø (mm)	160	160	240	240

NB: to prevent noise transmission, do not brick the conduit into the chimney.

Connect. Ø (mm)	Equivalent length (m)			
	80		110	
(mm)	rigid	flex	rigid	flex
87° elbow	1.9	-	2.0	-
45° elbow	1.2	-	1.1	-
Straight inspection pipe	0.3	0.3	-	0.5
Inspection T	4.2	-	5.6	-
Inspection elbow	1.9	-	4.8	-

We also offer an optional terminal Mitron for flex pipe (package DY926), in replacement of the terminal with flashing (see p. 95)



### ⇒ PPs flue systems accessories needed at the very least for connection to the chimney using rigid pipes in the boiler room and rigid or flex pipes in the chimney

Description	Diagrams with Dimensions/References	Boiler types	EFU C (E) 19 to 32		EFU C 40 AND 50																			
		Ø connect. (mm)	80		110																			
		Package/Ref.	rigid	flex	rigid	flex																		
Chimney connection kit Ø 80 mm PPs rigid	<table border="1"> <thead> <tr> <th></th> <th>A</th> <th>B</th> <th>C</th> <th>D</th> <th>E</th> </tr> </thead> <tbody> <tr> <td>DY177</td> <td>110</td> <td>110</td> <td>110</td> <td>130</td> <td>230</td> </tr> <tr> <td>DY717</td> <td>80</td> <td>80</td> <td>120</td> <td>130</td> <td>210</td> </tr> </tbody> </table> <p>** Only for DY717</p>		A	B	C	D	E	DY177	110	110	110	130	230	DY717	80	80	120	130	210	DY717 84887717	X			
	A	B	C	D	E																			
DY177	110	110	110	130	230																			
DY717	80	80	120	130	210																			
Chimney connection kit Ø 110 mm PPs rigid		DY177 84887577			X																			
Chimney connection kit Ø 80 mm PPs flex	<table border="1"> <thead> <tr> <th></th> <th>A</th> <th>B</th> <th>C</th> <th>D</th> </tr> </thead> <tbody> <tr> <td>DY895</td> <td>80</td> <td>130</td> <td>210</td> <td>120</td> </tr> <tr> <td>DY888</td> <td>110</td> <td>120</td> <td>230</td> <td>110</td> </tr> </tbody> </table>		A	B	C	D	DY895	80	130	210	120	DY888	110	120	230	110	DY895 100015325		X					
	A	B	C	D																				
DY895	80	130	210	120																				
DY888	110	120	230	110																				
Chimney connection kit Ø 110 mm PPs flex		DY888 100015287				X																		
Sleeve Ø 124 mm		⑩ DY753 84887753	X	X	X	X																		
Finishing plate Ø 80 mm		⑱ DY757 84887757	X	X																				
Finishing plate Ø 110 mm		⑱ DY879 100010270			X	X																		
Flex pipe Ø 80 mm Length 12.5 m (I)		⑳ DY897 100015327		X																				
Flex pipe Ø 110 mm Length 12.5 m (I)		⑳ DY889 100015288				X																		

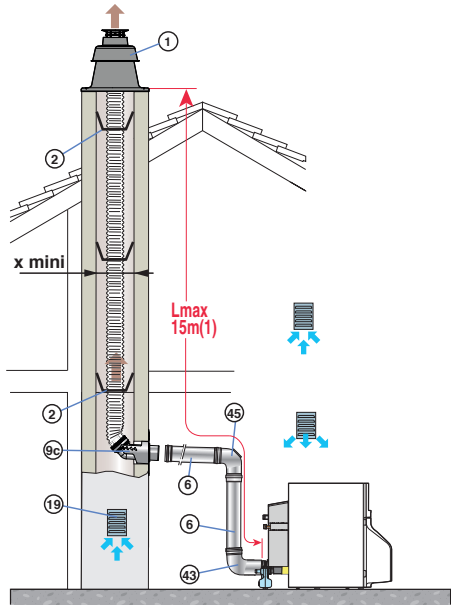
80 (I) Other flex pipe lengths available see page 95

⇒ Other flue systems accessories available, see pages 94 (PPs rigid), 95 (PPs flex) and 98 (common accessories)



# NEOvo CONDENS

## 6 CONFIGURATION B<sub>23p</sub> - CONNECTION TO A CHIMNEY USING PPs PIPES IN BOILER ROOM, SINGLE "RIGID" OR "FLEX" PPs PIPES IN CHIMNEY (COMBUSTIVE AIR TAKEN FROM THE BOILER ROOM)



We also offer an optional terminal Mitron for flex pipe (package DY926), in replacement of the terminal with flashing (see p. 95)



FUMI\_F0130

(1) For each additional metre of horizontal conduit, remove 1.2 m from the vertical length Lmax given in the table opposite

FUMI\_F0214

Boiler types	Ø connect (mm)	Lmax (m)
EFU C 19 to 32	80	15
EFU C E 19 to 32	80 flex	15
x mini	∇ (mm)	140
	Ø (mm)	160

NB: to prevent noise transmission, do not brick the conduit into the chimney.

Connect. Ø (mm)	Equivalent length (m)	
	80 rigid	80 flex
87° elbow	1.9	-
45° elbow	1.2	-
Straight inspection pipe	0.3	0.3
Inspection T	4.2	-
Inspection elbow	1.9	-

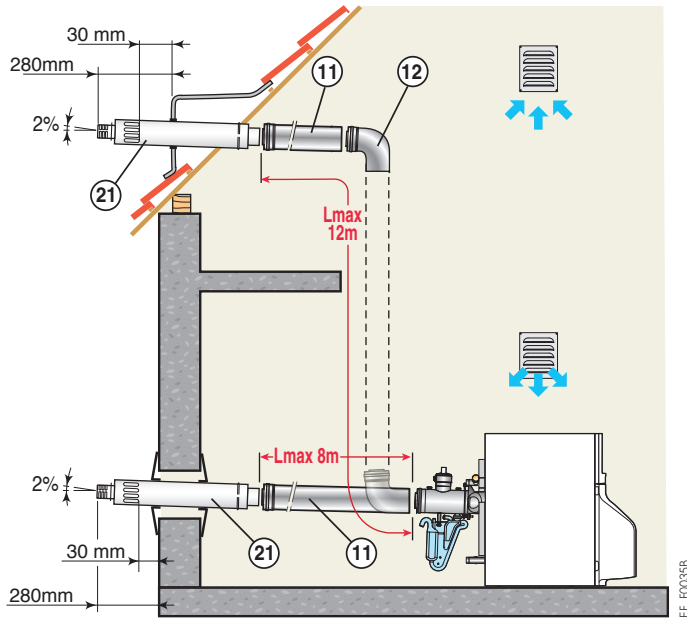
⇒ PPs flue systems accessories needed at the very least for connection to the chimney using rigid pipes in the boiler room and rigid or flex pipes in the chimney

Description	Diagrams with Dimensions/References	Boiler types	EFU C (E) 19 to 32
		Ø connect. (mm)	80 flex
		Package/Ref.	
Boiler connection Quick-kit Ø 80 mm PPs flex		DY923 100015325	X
Sleeve Ø 124 mm		DY753 84887753	X
Finishing plate Ø 80 mm		DY757 84887757	X
Flex pipe Ø 80 mm Length 12.5 m (1)		DY897 100015327	X

(1) Other flex pipe lengths available see page 95

⇒ Other flue systems accessories available, see pages 94 (PPs rigid), 95 (PPs flex) and 98 (common accessories)

## 1 CONFIGURATION C<sub>13x</sub> - CONCENTRIC HORIZONTAL FORCED FLUE STAINLESS STEEL/STAINLESS STEEL (CONNECTION TO AN EXTERNAL WALL OR A ROOF OUTLET)



Boiler types	Ø connect. (mm)	Lmax (m)
EFU.. FF	80/125	12 (I)
EFU E.. FF	80/125	12 (I)

(I) With a horizontal pipe not exceeding 8 m.

Connect. Ø (mm)	Equivalent length (m)
87° elbow	1.3
45° elbow	0.8
Straight inspection pipe	0.3
Inspection elbow	1.4

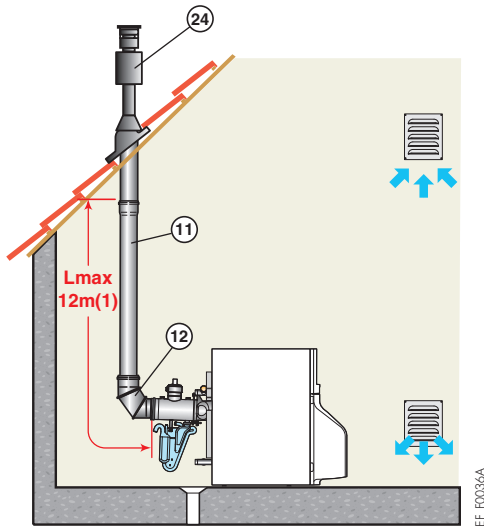
⇒ Stainless steel/Stainless steel accessories needed for connection at the very least for connection to a horizontal forced flue:

Description	Diagrams with Dimensions/References	Boiler types	EFU (E).. FF HOR
		Ø connect. (mm)	80/125
		Package/Ref.	
Horizontal forced flue standard Ø 80/125 mm		DB90 81998533	X

⇒ Other flue systems accessories available, see pages 97 (Stainless steel/Stainless steel) and 98 (common accessories)

# NEOvo EcoNox

## 2 CONFIGURATION C<sub>33x</sub> - CONCENTRIC VERTICAL FORCED FLUE STAINLESS STEEL/STAINLESS STEEL (CONNECTION TO SLOPING ROOF OR FLAT ROOF)



Boiler types	Ø connect. (mm)	Lmax (m)
		80/125
EFU.. FF		12 (1)
EFU E.. FF		12 (1)

(1) For each additional metre of horizontal conduit, remove 1.2 m from the vertical length Lmax given in the table above.

Connect. Ø (mm)	Equivalent length (m)
	80/125
87° elbow	1.3
45° elbow	0.8
Straight inspection pipe	0.3
Inspection elbow	1.4

⇒ Stainless steel/Stainless steel accessories needed for connection at the very least for connection to a vertical forced flue:

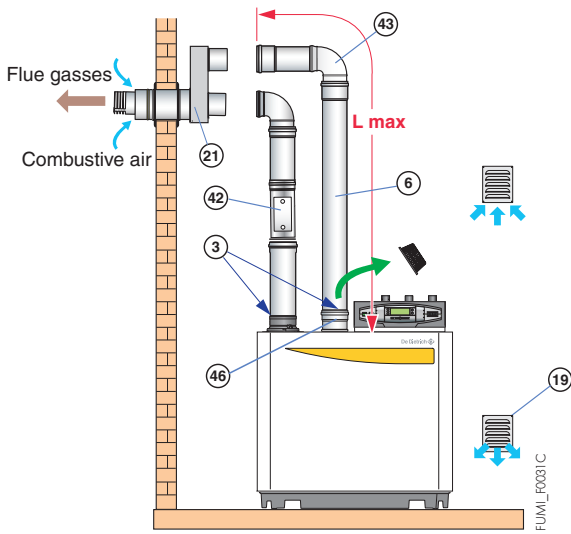
Description	Diagrams with Dimensions/References	Boiler types	EFU (E).. FF VER
		Ø connect. (mm)	80/125
		Package/Ref.	
Vertical air/flue gas terminal Ø 80/125 mm (black or red)		<b>DB91</b> 81998534 (black) or <b>DB89</b> 81998543 (red)	X
87° elbow		<b>DB96</b> 81998539	X

⇒ Other flue systems accessories available, see pages 97 (Stainless steel/Stainless steel) and 98 (common accessories)

# C 230 ECO

## 1 CONFIGURATION C<sub>13</sub> - CONCENTRIC HORIZONTAL FORCED FLUE ALU/GALVANIZED STEEL OR PPs/GALVANIZED STEEL (CONNECTION TO OUTSIDE WALL)

⚠ Configuration prohibited in building open to the public !



Boiler types	Connect. Ø (mm)	Lmax (m)
		150 or 160
C230-85 ECO		50
C230-130 ECO		37
C230-170 ECO		16
C230-210 ECO		14

Connect. Ø (mm)	Equivalent length (m)	
	150 (Alu)	160 (PPs)
87° elbow	6.4	5
45° elbow	1.7	1.4
Inspection elbow	-	5
Straight inspection pipe	0.5	0.9
Inspection T	6.4	-

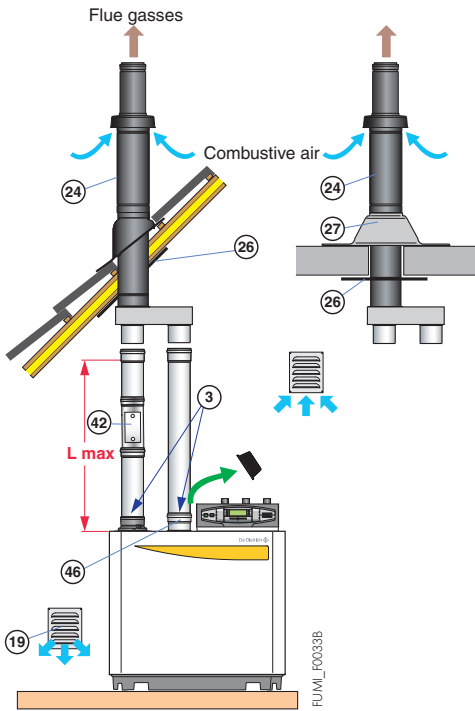
⇒ Alu/Galvanized steel or PPs/Galvanized steel flue systems accessories needed at the very least for connection to a horizontal forced flue

Description	Diagrams with Dimensions/References	Boiler types	C 230 ECO	
		Ø connect. (mm)	150 (Alu)	160 (PPs)
		Package/Ref.		
Horizontal forced flue Alu/Galvanized steel Ø 150/220 mm	(21)	DY831 100002469	X	
Horizontal forced flue PPs/Galvanized steel Ø 160/220 mm	(21)	DY827 100002401		X
Air connection part	(46)	DY830 100002404	X	X
Adapter Ø 150 to Ø 160 mm	(3)	DY825 100002399		X

⇒ Other flue systems accessories available, see pages 94-95 (PPs), 96 (Alu) and 98 (common accessories)

# C 230 ECO

## 2 CONFIGURATION C<sub>33</sub> - CONCENTRIC VERTICAL FORCED FLUE ALU/GALVANIZED STEEL OR PPs/GALVANIZED STEEL (CONNECTION TO SLOPING ROOF OR FLAT ROOF)



Boiler types	Connect. Ø (mm)	L <sub>max</sub> (m)
		150 or 160
C230-85 ECO		50
C230-130 ECO		37
C230-170 ECO		16
C230-210 ECO		14

Connect. Ø (mm)	Equivalent length (m)	
	150 (Alu)	160 (PPs)
87° elbow	6.4	5
45° elbow	1.7	1.4
Inspection elbow	-	5
Straight inspection pipe	0.5	0.9
Inspection T	6.4	-

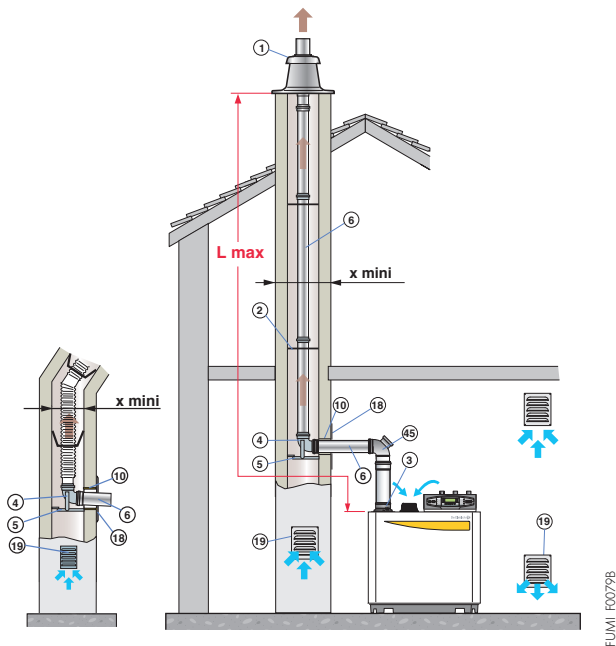
⇒ Alu/Galvanized steel or PPs/Galvanized steel flue systems accessories needed at the very least for connection to a vertical forced flue

Description	Diagrams with Dimensions/References	Boiler types	C 230 ECO	
		Ø connect. (mm)	150 (Alu)	160 (PPs)
		Package/Ref.		
Vertical forced flue Alu/Galvanized steel Ø 150/220 mm		DY835 100002473	X	
Vertical forced flue PPs/Galvanized steel Ø 160/220 mm		DY826 100002400		X
Air connection part		DY830 100002404	X	X
Adapter Ø 150 to Ø 160 mm		DY825 100002399		X

⇒ Other flue systems accessories available, see pages 94-95 (PPs), 96 (Alu) and 98 (common accessories)

# C 230-85 ECO AND C 230-130 ECO

## 6 CONFIGURATION B23P - CONNECTION TO A CHIMNEY USING PPs "RIGID" OR "FLEX" PIPES IN THE BOILER ROOM AND IN THE CHIMNEY (COMBUSTIVE AIR TAKEN FROM THE BOILER ROOM)



Boiler types	Connect. Ø (mm)	Lmax (m)	
		110 rigid	110 flex
C230-85 ECO		27	14.5
C230-130 ECO		8	5
x mini	∇ (mm)	220	220
	∅ (mm)	240	240

Connect. Ø (mm)	Equivalent length (m)	
	110 rigid	110 flex
87° elbow	4.9	-
45° elbow	1.1	-
Inspection elbow	4.8	-
Straight inspection pipe	-	0.5
Inspection T	5.6	-

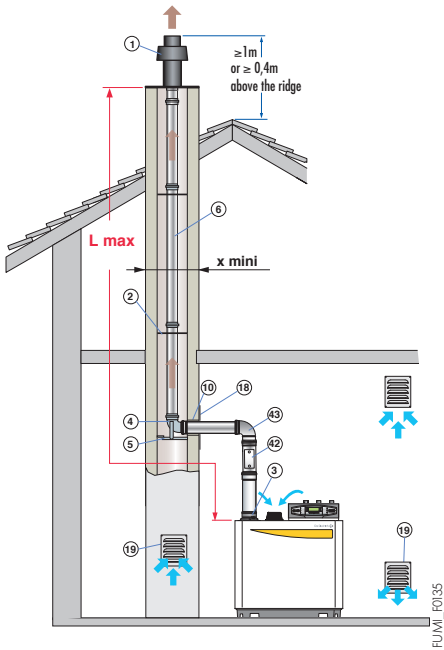
⇒ PPs flue systems accessories needed at the very least for connection to chimney

Description	Diagrams with Dimensions/References	Boiler types	C 230-85 and C 230-130 ECO	
		∅ connect. (mm)	110 rigid	110 flex
		Package/Ref.		
Chimney connection kit ∅ 110 mm		DY177 84887577	X	
Chimney connection kit ∅ 110 mm flex		DY888 100015287		X
Sleeve ∅ 124 mm	DY753	DY753 84887753	X	X
Finishing plate for chimney ∅ 110 mm	DY879	DY879 100010270	X	X
Adapter ∅ 150 to ∅ 110 mm		DY915 100017634	X	X

⇒ Other flue systems accessories available, see pages 94-95 (PPs), 96 (Alu) and 98 (common accessories)

# C 230 ECO

## 6 CONFIGURATION B23P - CONNECTION TO A CHIMNEY USING ALU OR PPs "RIGID" PIPES IN THE BOILER ROOM AND IN THE CHIMNEY (COMBUSTIVE AIR TAKEN FROM THE BOILER ROOM)



Boiler types	Connect. Ø (mm)	Lmax (m)	
		150 Alu	160 PPs
C230-85 ECO		50	50
C230-130 ECO		50	50
C230-170 ECO		45	50
C230-210 ECO		27	43
	x mini □ (mm)	220	220
	Ø (mm)	240	240

Connect. Ø (mm)	Equivalent length (m)	
	150 (Alu)	160 (PPs)
87° elbow	6.4	5
45° elbow	1.7	1.4
Inspection elbow	-	5
Straight inspection pipe	0.5	0.9
Inspection T	6.4	-

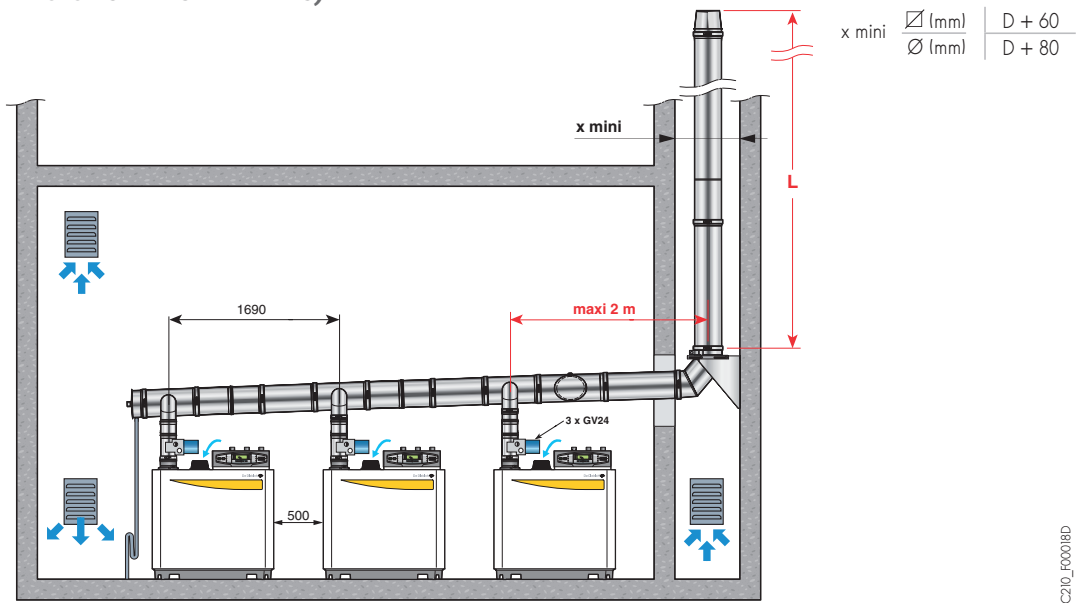
⇒ Alu or PPs flue systems accessories needed at the very least for connection to chimney

Description	Diagrams with Dimensions/References	Boiler types	C 230 ECO		
		Ø connect. (mm)	150 (Alu)	160 (PPs)	
		Package/Ref.			
Air/flue gas vent with flashing Ø 150 mm Alu	DY780 <sup>①</sup> 	DY837 <sup>①</sup> 	DY780 84887780	X	
Air/flue gas vent with flashing Ø 160 mm PPs			DY837 100002475		X
87° elbow with bracket Ø 150 mm Alu	DY855 <sup>④ + ⑤</sup> 	DY836 <sup>④ + ⑤</sup> 	DY855 100003968	X	
87° elbow with bracket Ø 160 mm PPs			DY836 100002474		X
Finishing plate for chimney Ø 150 mm Alu	DY856 <sup>⑱</sup> 	DY838 <sup>⑱</sup> 	DY856 100003969	X	
Finishing plate for chimney Ø 160 mm PPs			DY838 100002476		X
Sleeve Ø 165 mm		<sup>⑩</sup>	DY773 84887773	X	X
Adapter Ø 150 to Ø 160 mm		<sup>③</sup>	DY825 100002399		X

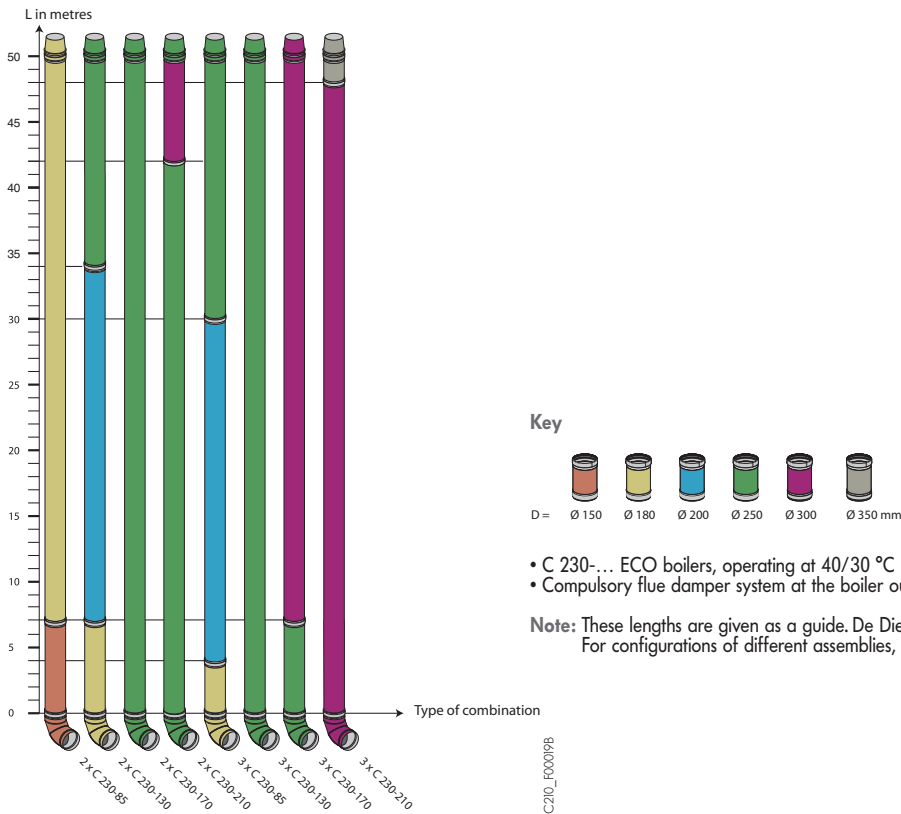
⇒ Other flue systems accessories available, see pages 94-95 (PPs), 96 (Alu) and 98 (common accessories)

# C 230 ECO

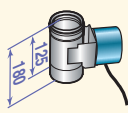
## 7 CONFIGURATION B<sub>23P</sub> - CONNECTION TO A CHIMNEY FOR CASCADE INSTALLATION (INSTALLATION WITH MOTORISED FLUE DAMPERS)



Maximum admissible length L (in m) depending on the Ø of the conduit D (in mm) for various "cascade" combinations (These lengths have been defined in accordance with the dimensional constraints given in the above diagram. For different dimensional constraints, consult us).



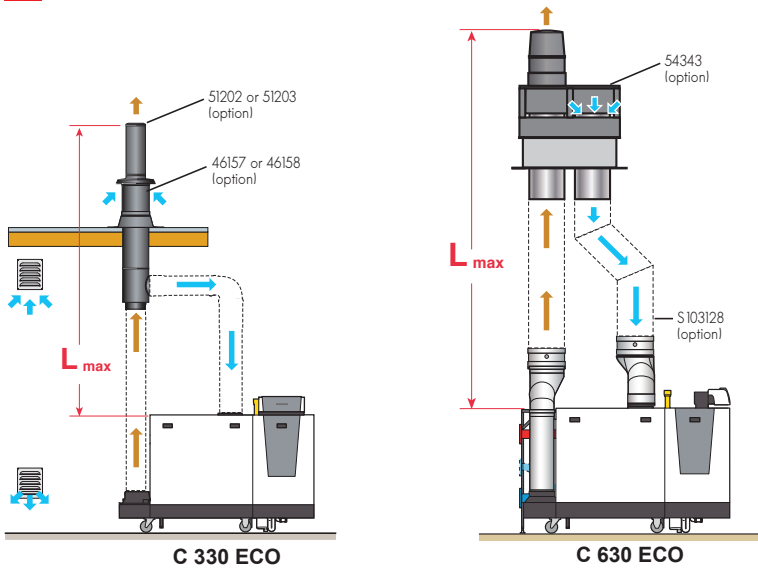
### ⇒ Options that must be ordered for configuration B<sub>23P</sub> in the case of cascade installations

Description	Dimensional diagrams	Package/Reference	Comments
Motorised flue damper		49 GV24 100011033	If a cascade is over pressurised, the installation of one flue damper per boiler prevents blow back of combustion products to the boilers that have been shut down.



# C 330 ECO/C 630 ECO

## 2 CONFIGURATION C<sub>33</sub> - CONCENTRIC VERTICAL FORCED FLUE



Boiler types C 330... ECO	L <sub>max</sub> (m) (I)		
	Ø 200 mm	Ø 250 mm	Ø 300 mm
280	42	50	50
350	21	50	50
430	13	50	50
500	10	50	50
570	5	34	50
650	4	50	50

Boiler types C 630... ECO	L <sub>max</sub> (m) (I)		
	Ø 300 mm	Ø 350 mm	Ø 400 mm
560	50	50	50
700	43	50	50
860	26	50	50
1000	13	35	50
1140	5	16	24
1300	-	10	12

Nota: length also applicable in configuration C<sub>93</sub>  
 (I) Calculated with rigid pipe and outlet without flashing

### Flue systems accessories available

#### • C 330 ECO

<b>Vertical forced flue in Alu/Galvanized steel</b>  <table border="1"> <thead> <tr> <th></th> <th>A</th> <th>B</th> <th>C</th> <th>D</th> <th>E</th> </tr> </thead> <tbody> <tr> <td>51202</td> <td>200</td> <td>200</td> <td>1680</td> <td>2350</td> <td>400</td> </tr> <tr> <td>51203</td> <td>250</td> <td>250</td> <td>1685</td> <td>2500</td> <td>530</td> </tr> </tbody> </table>		A	B	C	D	E	51202	200	200	1680	2350	400	51203	250	250	1685	2500	530	Ø 200/300 mm Ref. 51202
		A	B	C	D	E													
51202	200	200	1680	2350	400														
51203	250	250	1685	2500	530														
	Ø 250/350 mm Ref. 51203																		
<b>Adapter Ø 250 to Ø 200 mm</b> 	Ref. S103179																		
<b>Flashing for flat roof</b>  <table border="1"> <thead> <tr> <th></th> <th>F</th> <th>G</th> </tr> </thead> <tbody> <tr> <td>46157</td> <td>640</td> <td>318</td> </tr> <tr> <td>46158</td> <td>690</td> <td>368</td> </tr> </tbody> </table>		F	G	46157	640	318	46158	690	368	Ø 300 mm Ref. 46157									
		F	G																
46157	640	318																	
46158	690	368																	
	Ø 350 mm Ref. 46158																		
<b>Adapter flue gas for replacement C 310 ECO for C 330 ECO</b> 	Ref. S103178																		

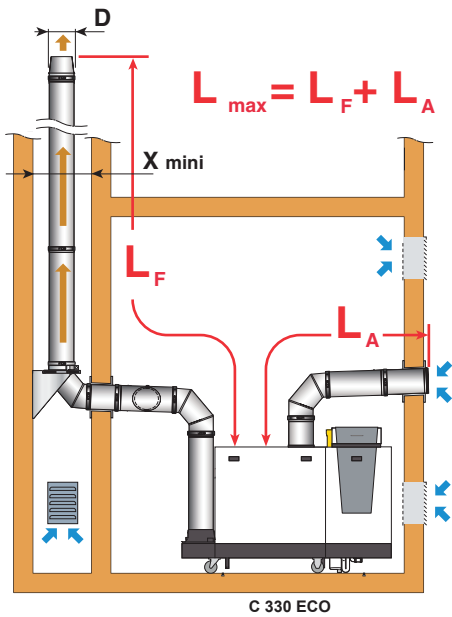
<b>Flue gas collector for 2 x C 330 ECO</b> 	Ref. S103118
<b>Air inlet collector for 2 x C 330 ECO</b> 	Ref. S103128

#### • C 630 ECO

<b>Vertical forced flue Alu</b> 	(24) Ø 2x350 mm Ref. 54443
<b>Air inlet collector Alu</b> 	(48) Ø 2x250 to 350 mm Ref. S103128

# C 330 ECO/C 630 ECO

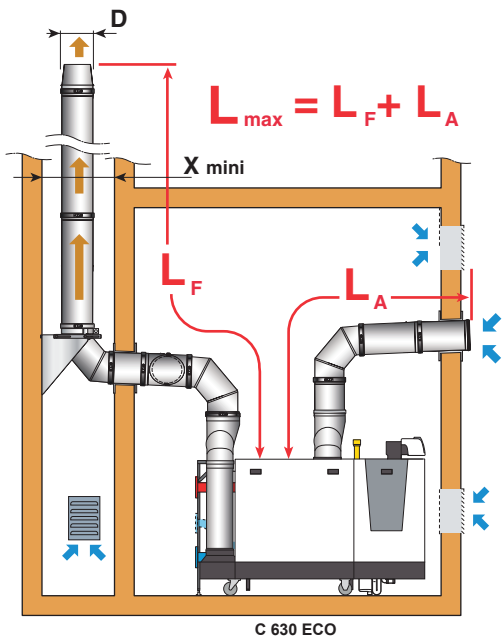
## 5 CONFIGURATION C<sub>53</sub> - SEPARATE AIR AND FLUE GAS PIPES (COMBUSTIVE AIR TAKEN FROM OUTSIDE)



$$x \text{ mini} \begin{array}{l} \nabla (\text{mm}) \quad | \quad D + 60 \\ \emptyset (\text{mm}) \quad | \quad D + 80 \end{array}$$

Boiler types C 330-... ECO	L <sub>max</sub> (m) (1)	
	Ø 250 mm	
280	50	
350	50	
430	50	
500	50	
570	49	
650	40	

(1) Calculated with rigid pipe and outlet without flashing



$$x \text{ mini} \begin{array}{l} \nabla (\text{mm}) \quad | \quad D + 60 \\ \emptyset (\text{mm}) \quad | \quad D + 80 \end{array}$$

Boiler types C 630-... ECO	L <sub>max</sub> (m) (1)	
	Ø 350 mm	Ø 400 mm
560	50	50
700	50	50
860	50	50
1000	33	50
1140	-	22
1300	-	-

(1) Calculated with rigid pipe and outlet without flashing

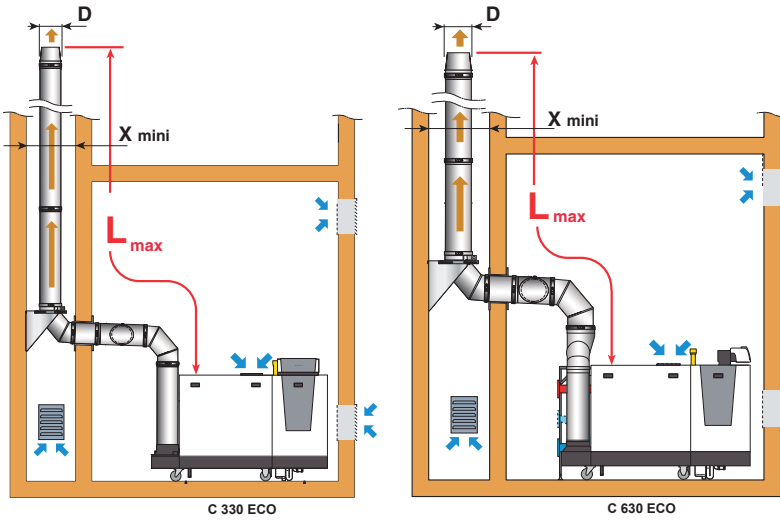
C330\_ECOF005/A

# C 330 ECO/C 630 ECO

## 6 7 CONFIGURATION B<sub>23P</sub> - CONNECTION TO A CHIMNEY

Single boiler

$$x \text{ mini } \frac{\square (\text{mm})}{\circ (\text{mm})} \quad \begin{array}{l} D + 60 \\ D + 80 \end{array}$$

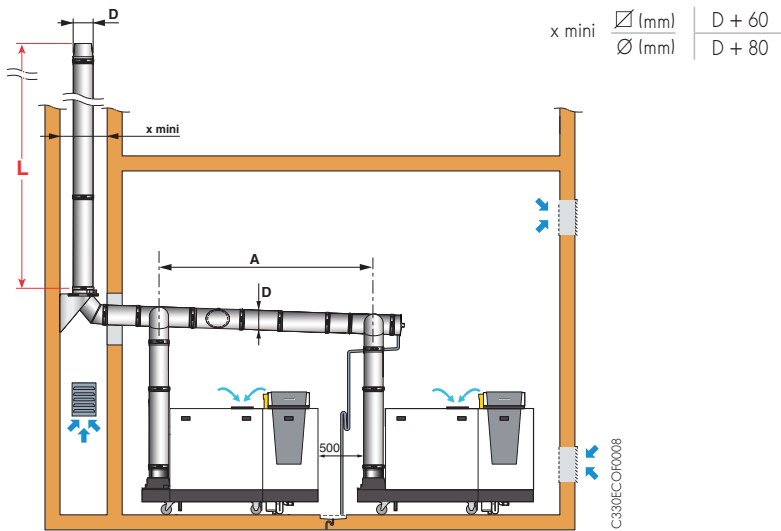


Boiler types C 330-... ECO	L <sub>max</sub> (m) (I)			
	Ø 150 mm	Ø 180 mm	Ø 200 mm	Ø 250 mm
280	20	50	50	50
350	11	30	50	50
430	8	22	39	50
500	7	18	32	50
570	5	13	24	50
650	5	12	21	50

Boiler types C 630-... ECO	L <sub>max</sub> (m) (I)		
	Ø 250 mm	Ø 300 mm	Ø 350 mm
560	50	50	50
700	31	50	50
860	20	50	50
1000	11	39	50
1140	5	26	50
1300	3	19	50

(I) Calculated with rigid pipe and outlet without flashing

Cascade installation

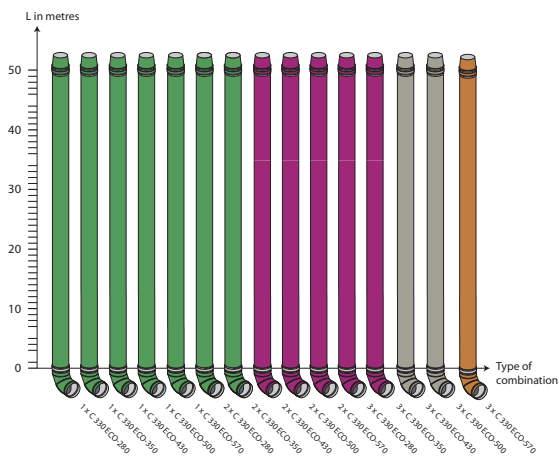


$$x \text{ mini } \frac{\square (\text{mm})}{\circ (\text{mm})} \quad \begin{array}{l} D + 60 \\ D + 80 \end{array}$$

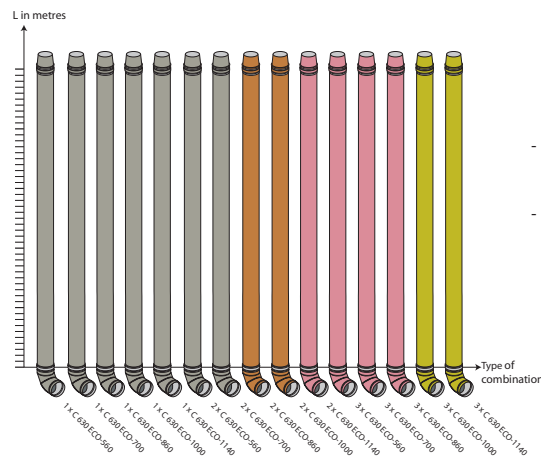
C 330/630-... ECO	A (mm)
C 330-280, C 330-350, C 630-560, C 630-700	2100
C 330-430, C 330-500, C 330-570, C 330-650	2490
C 630-860, C 630-1000, C 630-1140, C 630-1300	

Maximum admissible length L (in m) depending on the Ø of the pipe D (in mm) for single boiler or for various "cascade" combinations (These lengths have been defined according to the dimensional constraints given in the above diagrams. For different dimensional constraints, consult us).

C 330-... ECO



C 630-... ECO



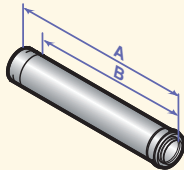
- C 330-... ECO/  
C 630-... ECO boilers:  
operating at 50/30 °C  
- Flue dampers integrated



Note: These lengths are given as a guide. De Dietrich's liability may in no event be invoked. For configurations of different assemblies, please consult us for a specific calculation.

# CONCENTRIC ALU/PPS FLUE SYSTEMS ACCESSORIES AVAILABLE

**Extension concentric** ⑪



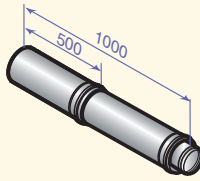
	A	B
DY126	250	200
DY681, DY127, DY811	500	450
DY682, DY128, DY812	1000	950
DY683, DY129	1950	1900

Ø 60/100 mm	Length (mm)	Ref.
DY681	500	84887681
DY682	1000	84887682
DY683	1950	84887683

Ø 80/125 mm	Length (mm)	Ref.
DY126	250	84887526
DY127	500	84887527
DY128	1000	84887528
DY129	1950	84887529

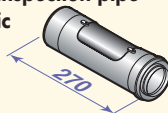
Ø 110/150 mm	Length (mm)	Ref.
DY811	500	100002351
DY812	1000	100002352

**Extension concentric PPs/Galvanized steel for horizontal forced flue** ⑪



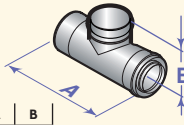
Ø 160/220 mm	Ref.
DY857	100004040

**Straight inspection pipe concentric** ⑦



Ø 80/125 mm	Equ. length*	Ref.
DY124	0,6	84887524

**Inspection sleeve concentric** ⑦

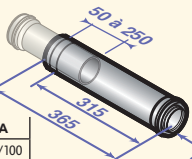


	A	B
DY689	250	100
DY815	270	140

Ø 60/100 mm	Equ. length*	Ref.
DY689	0,5	84887689

Ø 110/150 mm	Equ. length*	Ref.
DY815	1,0	100002355

**Compensation sleeve concentric** ⑰

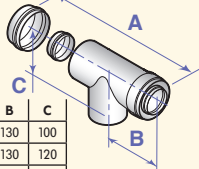


	A
DY688	60/100
DY130	80/125

Ø 60/100 mm	Ref.
DY688	84887688

Ø 80/125 mm	Ref.
DY130	84887530

**Inspection T concentric** ⑧



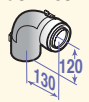
	A	B	C
DY737	250	130	100
DY125	270	130	120
DY816	270	120	140

Ø 60/100 mm	Equ. length*	Ref.
DY737	22	84887737

Ø 80/125 mm	Equ. length*	Ref.
DY125	27	84887525

Ø 110/150 mm	Equ. length*	Ref.
DY816	25	100002356

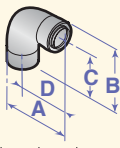
**Inspection elbow concentric** ⑳



Ø 80/125 mm	Equ. length*	Ref.
DY 875	20	100008311

\* Equivalent length (m)

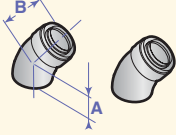
**Elbow concentric at 87°** ⑫



	A	B	C	D
DY684	170	162	110	120
DY131	193	185	120	130
DY813	239	241	165	164

Ø 60/100 mm	Equ. length*	Angle	Ref.
DY684	1,1	87°	84887684
DY685	0,8	45° (2 pces)	84887685
DY686	0,7	30° (2 pces)	84887686
DY687	0,5	15° (2 pces)	84887687

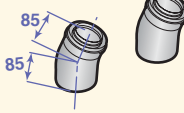
**at 45°**



	A	B
DY685	70	80
DY132	90	90
DY814	110	110

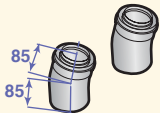
Ø 80/125 mm	Equ. length*	Angle	Ref.
DY131	1,5	87°	84887531
DY132	1,0	45° (2 pces)	84887532

**at 30°**

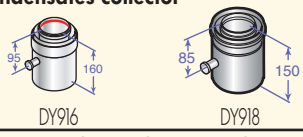


Ø 110/150 mm	Equ. length*	Angle	Ref.
DY813	3,7	87°	100002353
DY814	1,0	45° (2 pces)	100002354

**at 15°**



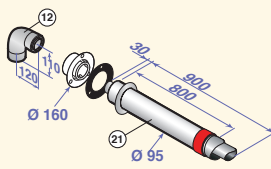
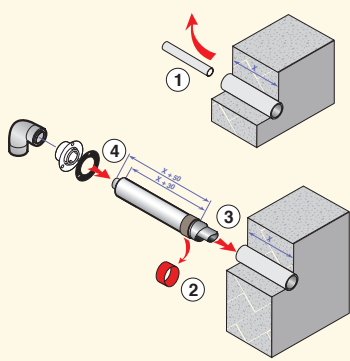
**Condensates collector**



Ø 80/125 mm	Equ. length*	Ref.
DY916	0,8	100018981

Ø 110/150 mm	Equ. length*	Ref.
DY918	0,6	100018984

**Horizontal forced flue "Retrofit"**

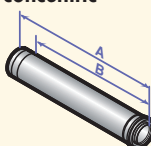



Ø 60/95 mm	Ref.
DY912	100017526

\* Equivalent length (m)

# CONCENTRIC ALU/ALU FLUE SYSTEMS ACCESSORIES AVAILABLE

**Extension concentric** ⑪

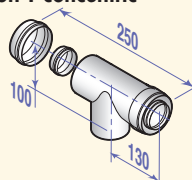


	A	B
DY746, CX64	250	200
DY652, CX65	500	450
DY653, CX66	1000	950
DY654, CX93	1950	1900

Ø 60/100 mm	Length (mm)	Ref.
DY746	250	84887746
DY652	500	84887652
DY653	1000	84887653
DY654	1950	84887654

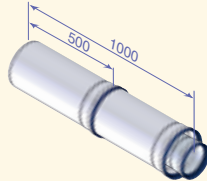
Ø 80/125 mm	Length (mm)	Ref.
CX64	250	84837735
CX65	500	84837736
CX66	1000	84837737
CX93	1950	84837793

**Inspection T concentric** ⑧



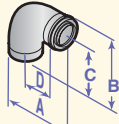
Ø 60/100 mm	Equ. length*	Ref.
DY660		84887660

**Extension concentric Alu/Galvanized steel for horizontal forced flue** ⑪



Ø 150/220 mm	Ref.
DY864	100004243

**Elbow concentric at 87°** ⑫

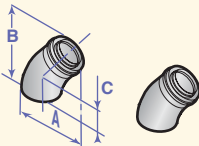


	A	B	C	D
DY655	170	184	110	70
CX76	194	190	120	80

Ø 60/100 mm	Equ. length*	Angle	Ref.
DY655	1.1	87°	84887655
DY656	0.8	45° (2 pces)	84887656

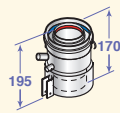
Ø 80/125 mm	Equ. length*	Angle	Ref.
CX76	1.0	87°	84837743
CX68	0.8	45° (2 pces)	84837739

**at 45°**



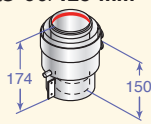
	A	B	C
DY656	136	174	70
CX68	156	184	90

**Condensates collector concentric Ø 60/100 mm** ⑩



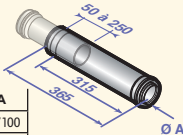
Ø 60/100 mm	Equ. length*	Ref.
DY910	1.4	100016486

**Adapter-Condensates collector concentric Ø 80/125 mm**



Ø 60/100 mm	Equ. length*	Ref.
DY909	1.0	100016486

**Compensation sleeve concentric** ⑰



	A
DY659	60/100
CX67	80/125

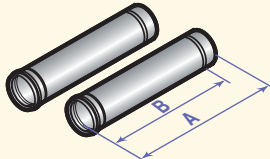
Ø 60/100 mm	Ref.
DY659	84887659

Ø 80/125 mm	Ref.
CX67	84837738

\* Equivalent length (m)

# SINGLE PPs "RIGID" FLUE SYSTEMS ACCESSORIES AVAILABLE

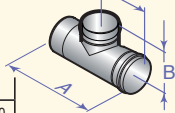
**Extension single** (6)



Ø 60 mm	Length (mm)	Ref.
DY690	500 (2 pces)	84887690
DY691	1000 (2 pces)	84887691
DY692	1950 (2 pces)	84887692
Ø 80 mm	Length (mm)	Ref.
DY613	250 (2 pces)	84887613
DY614	500 (2 pces)	84887614
DY615	1000 (2 pces)	84887615
DY150	1950 (2 pces)	84887550
Ø 110 mm	Length (mm)	Ref.
DY180	500	84887580
DY179	1000	84887581
DY178	1950	84887578
Ø 160 mm	Length (mm)	Ref.
DY822	500	100002396
DY821	1000	100002395

	A	B
DY613	250	200
DY614, DY180, DY690, DY822	500	450
DY615, DY179, DY691, DY821	1000	950
DY150, DY178, DY692	1950	1900

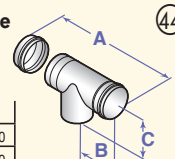
**Inspection sleeve single** (42)



Ø 60 mm	Equ. length*	Ref.
DY698	0.3	84887698
Ø 80 mm	Equ. length*	Ref.
DY146	0.3	84887546

	A	B	C
DY698	250	60	130
DY146	270	75	142

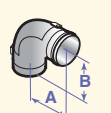
**Inspection T single** (44)



Ø 60 mm	Equ. length*	Ref.
DY741	2.9	84887741
Ø 80 mm	Equ. length*	Ref.
DY163	4.2	84887563

	A	B	C
DY741	251	130	100
DY163	261	142	120

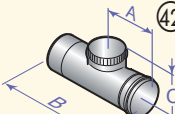
**Inspection elbow single** (45)



Ø 80 mm	Equ. length*	Ref.
DY877	1.9	100008301
Ø 110 mm	Equ. length*	Ref.
DY188	4.8	84887588
Ø 160 mm	Equ. length*	Ref.
DY834	5	100002472

	A	B
DY877	130	120
DY188	120	120
DY834	207	207

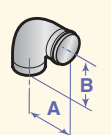
**Inspection sleeve single** (42)



Ø 110 mm	Equ. length*	Ref.
DY183	5.6	84887583
Ø 160 mm	Equ. length*	Ref.
DY833	0.9	100002471

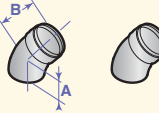
	A	B	C
DY833	150	330	160
DY183	134	274	110

**Elbow single at 87°** (43)



Ø 60 mm	Equ. length*	Angle	Ref.
DY693	1.1	87°	84887693
DY694	0.6	45° (2 pces)	84887694
Ø 80 mm	Equ. length*	Angle	Ref.
DY152	1.9	87°	84887552
DY154	1.2	45° (2 pces)	84887554
Ø 110 mm	Equ. length*	Angle	Ref.
DY181	4.9	87°	84887581
DY182	1.1	45° (2 pces)	84887582
Ø 160 mm	Equ. length*	Angle	Ref.
DY823	5	87°	100002397
DY824	1.4	45° (2 pces)	100002398

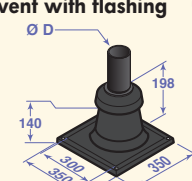
**at 45°**



	A	B
DY152	130	120
DY181	120	120
DY693	120	110
DY823	150	150
DY154	90	90
DY182	90	90
DY694	70	80
DY824	75	75

\* Equivalent length (m)

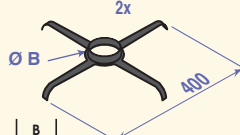
**Air/flue gas vent with flashing** (1)



	D	Ref.
DY185	80 or 60	84887585
DY189	110	84887589

Ø	Ref.
Ø 60 mm	Ref.
DY189	84887589


**Centering star** (2)



	B	Ref.
DY673	60	84887673
DY151	80	84887551
DY187	110	84887587
DY839	160	100002540

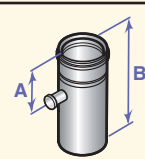
Ø	Ref.
Ø 60 mm	Ref.
DY673 (2 pces)	84887673
Ø 80 mm	Ref.
DY151 (2 pces)	84887551
Ø 110 mm	Ref.
DY187 (2 pces)	84887587
Ø 160 mm	Ref.
DY839 (2 pces)	100002540

**Stainless steel protection screen for roof outlet** (34)



Ø	Ref.
Ø 90 mm	Ref.
-	300007172
Ø 120 mm	Ref.
-	300007173


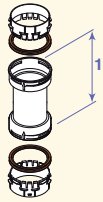
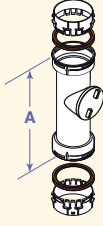
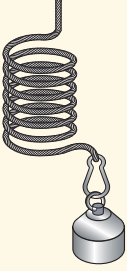
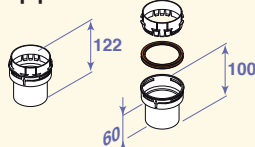
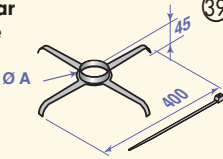
**Condensates collector** (36)




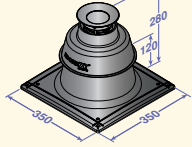
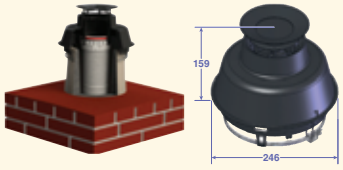
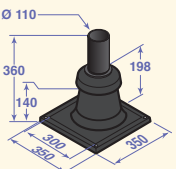
Ø	Equ. length*	Ref.
Ø 80 mm	1.3	100018985
DY919		
Ø 110 mm	Equ. length*	Ref.
DY917	0.1	100018983
DY919		

	A	B
DY917	95	160
DY919	105	220

# SINGLE PPs "FLEX" FLUE SYSTEMS ACCESSORIES AVAILABLE

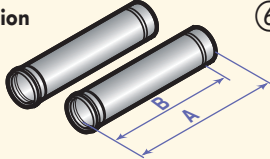
<b>Flex pipe</b> <span style="float: right;">③1</span> 	Ø 80 mm    Length (m)    Ref. DY897    12.5    100015327 DY896    50    100015326						
	Ø 110 mm    Length (m)    Ref. DY889    15    100015288 DY890    25    100015289						
<b>Coupling part for Flex pipe</b> <span style="float: right;">③2</span> 	Ø 80 mm    Ref. DY898    100015328						
	Ø 110 mm    Ref. DY891    100015321						
<b>Inspection pipe for flex pipe</b> <span style="float: right;">③8</span>  <table border="1" style="margin-top: 10px;"> <thead> <tr> <th></th> <th>A</th> </tr> </thead> <tbody> <tr> <td>DY900</td> <td>335</td> </tr> <tr> <td>DY893</td> <td>340</td> </tr> </tbody> </table>		A	DY900	335	DY893	340	Ø 80 mm    Equ. length*    Ref. DY900    0.3    100015330
		A					
DY900	335						
DY893	340						
Ø 110 mm    Equ. length*    Ref. DY893    0.5    100015323							
<b>Insertion tool for flex pipe</b> <span style="float: right;">③3</span> 	Ø 80 mm    Ref. DY901    100015331						
	Ø 110 mm    Ref. DY894    100015324						
<b>Adapters for flex pipe</b> 	Ø 80 mm    Ref. DY904    100015880						
	Ø 110 mm    Ref. DY905    100015881						
<b>Centering star for Flex pipe</b> <span style="float: right;">③9</span>  <table border="1" style="margin-top: 10px;"> <thead> <tr> <th></th> <th>A</th> </tr> </thead> <tbody> <tr> <td>DY618</td> <td>80</td> </tr> <tr> <td>DY805</td> <td>110</td> </tr> </tbody> </table>		A	DY618	80	DY805	110	Ø 80 mm    Ref. DY618 (2 pcs)    84887618
		A					
DY618	80						
DY805	110						
Ø 110 mm    Ref. DY805 (4 pcs)    100002282							

\* Equivalent length (m)

<b>Stainless steel protection screen for roof outlet</b> <span style="float: right;">③4</span> 	Ø 90 mm    Ref. -    300007172
	Ø 120 mm    Ref. -    300007173
<b>Air/flue gas vent with flashing for Flex pipe</b> <span style="float: right;">①</span> 	Ø 80 mm    Ref. DY899    100015329
	Ø 110 mm    Ref. DY892    100015322
<b>Black Air/flue gas vent with flashing for Flex pipe</b> <span style="float: right;">①</span> 	Ø 80 mm    Ref. DY926    7650963
	Ø 110 mm    Ref. DY892    100015322
<b>Air/flue gas vent with flashing for Flex pipe</b> <span style="float: right;">①</span> 	Ø 110 mm    Ref. DY892    100015322
	Ø 110 mm    Ref. DY892    100015322

# SINGLE ALU FLUE SYSTEMS ACCESSORIES AVAILABLE

**Extension single** ⑥

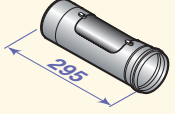


	A	B
DY625	500	450
DY626	1000	950
DY627	1950	1900

	A
DY645	250
DY646	500
DY647	1000

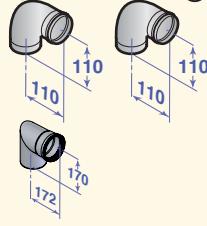
Ø	Length (mm)	Ref.
Ø 100 mm		
DY625	500 (2 pces)	84887625
DY626	1000 (2 pces)	84887626
DY627	1950 (2 pces)	84887627
Ø 150 mm		
DY645	500	84887645
DY646	1000	84887646
DY647	1950	84887647

**Straight inspection pipe single** ④②



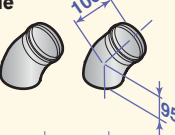
Ø	Equ. length*	Ref.
Ø 100 mm		
DY624	0.5	84887624

**Elbow at 87° single** ④③

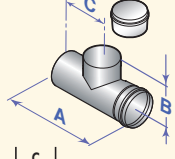


Ø	Equ. length*	Angle	Ref.
Ø 100 mm			
DY629	5	87°	84887629
DY630	1.2	45° (2 pces)	84887630
Ø 150 mm			
DY649	6.4	87°	84887649
DY650	1.7	45° (2 pces)	84887650

**Elbow at 45° single**



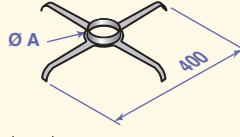
**Inspection T single** ④④



	A	B	C
DY739	290	140	140
DY832	325	190	165

Ø	Equ. length*	Ref.
Ø 100 mm		
DY739	5.3	84887739
Ø 150 mm		
DY832	6.4	100002470

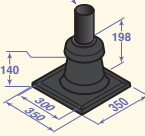
**Centering star** ②



	A
DY151	80
DY628	100
DY648	150

Ø	Ref.
Ø 80 mm	
DY151 (2 pces)	84887563
Ø 100 mm	
DY628 (2 pces)	84887628
Ø 150 mm	
DY648 (2 pces)	84887648


**Air/flue gas vent with flashing** ①



	A
DY195	60 or 80
DY189	110

Ø	Ref.
Ø 80 mm	
DY185	84887600
Ø 100 mm	
DY189	84887589

**Stainless steel protection screen for roof outlet** ③④

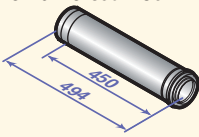
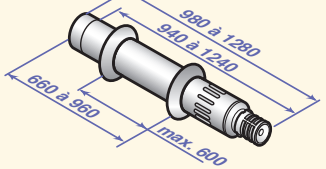
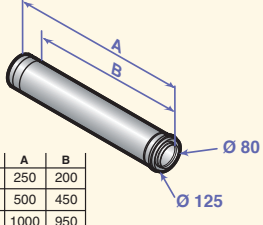
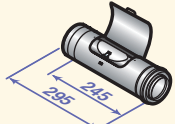


Ø	Ref.
Ø 90 mm	
-	300007172
Ø 120 mm	
-	300007173

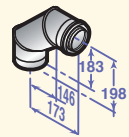
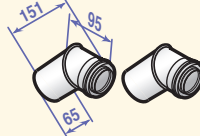
\* Equivalent length (m)



# CONCENTRIC STAINLESS STEEL/STAINLESS STEEL FLUE SYSTEMS ACCESSORIES AVAILABLE

<b>Silencer cartridge for horizontal forced flue</b> 	DB88	Ref. 81998545																								
<b>Horizontal forced flue concentric long</b> (21) 	Ø 80/125 mm DB87	Ref. 81998544																								
<b>Extension concentric</b> (11)  <table border="1" data-bbox="159 884 295 963"> <thead> <tr> <th></th> <th>A</th> <th>B</th> </tr> </thead> <tbody> <tr> <td>DB 94</td> <td>250</td> <td>200</td> </tr> <tr> <td>DB 93</td> <td>500</td> <td>450</td> </tr> <tr> <td>DB 92</td> <td>1000</td> <td>950</td> </tr> </tbody> </table>		A	B	DB 94	250	200	DB 93	500	450	DB 92	1000	950	<table border="1"> <thead> <tr> <th>Ø 80/125 mm</th> <th>Length (mm)</th> <th>Ref.</th> </tr> </thead> <tbody> <tr> <td>DB94</td> <td>250</td> <td>81998537</td> </tr> <tr> <td>DB93</td> <td>500</td> <td>81998536</td> </tr> <tr> <td>DB92</td> <td>1000</td> <td>81998535</td> </tr> </tbody> </table>	Ø 80/125 mm	Length (mm)	Ref.	DB94	250	81998537	DB93	500	81998536	DB92	1000	81998535	
	A	B																								
DB 94	250	200																								
DB 93	500	450																								
DB 92	1000	950																								
Ø 80/125 mm	Length (mm)	Ref.																								
DB94	250	81998537																								
DB93	500	81998536																								
DB92	1000	81998535																								
<b>Inspection pipe concentric</b> (7) 	Ø 80/125 mm DB85	Equ. length* 0.3 Ref. 81998548																								

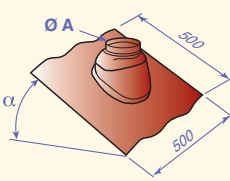
\* Equivalent length (m)

<b>Elbow concentric at 87°</b> (12) 	Ø 80/125 mm DB96 DB97	Equ. length* 1.3 0.8	Angle 87° 45° (2 pces)	Ref. 81998539 81998540
<b>at 45°</b> 	Ø 80/125 mm DB86	Equ. length* 1.4	Ref. 81998549	

\* Equivalent length (m)

# FLUE SYSTEMS COMMON ACCESSORIES

**Flue tile** (28)

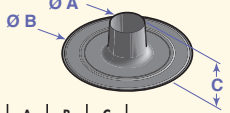


	A
CX104, CX106	172
CX121, 120, 52, 83, 63, 84	500

for Ø 80/125 mm	Slope/Col.	Ref.
CX121	5 at 25° black	84837121
CX120	5 at 25° red	84837120
CX52	25 at 45° black	84837732
CX83	25 at 45° red	84837783
CX63	35 at 55° black	84837734
CX84	35 at 55° red	84837784

for Ø 100/150 mm	Slope/Col.	Ref.
CX104	25 at 45° black	84827104
CX106	25 at 45° red	84827106

**Water tightness bed plate for flat roof** (27)



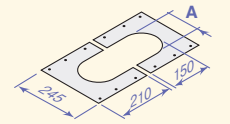
	A	B	C
CX103	170	474	100
CX51	135	410	100
DY828	220	492	150

for Ø 80/125 mm	Ref.
CX51	84837731

for Ø 100/150 mm	Ref.
CX103	84827103

for Ø 150/220 or Ø 160/220 mm	Ref.
DY828	100002402

**Internal finishing plate** (26)



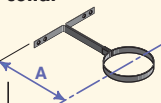
	A
CX72	130
CX115	150
DY840	160

for Ø 80/125 mm	Ref.
CX72	84837741

for Ø 100/150 mm	Ref.
CX115	84827115

Ø 220 mm	Ref.
DY840	100002700

**Fastening collar** (29)



	A
CX118	125
CX79	232

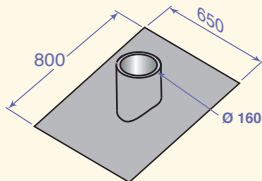
	A	
CX111	150	White
DY841	150	Metal
DY842	160	Metal

Ø 125 mm	Ref.
CX118 short lug	84837118
CX79 long lug	84837779

Ø 150 mm	Ref.
CX111 (white)	84827111
DY841 (metal)	100002693


Ø 160 mm	Ref.
DY842 (metal)	100002693

**Flashing for sloping roof** (28)



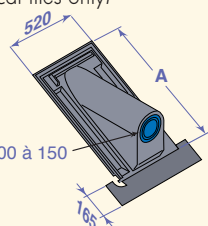
Ø 160/220 mm	Ref.
DY829	100002403

**Water tightness clamp for outside mounting** (41)



Ø 125 mm	Ref.
DY51	84887451

**Roof outlet (for mechanical tiles only)** (22)

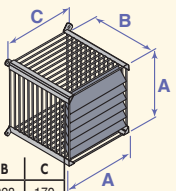


	A
CX49	700
DY11	880

Roof with slope of 30 at 45°	Ref.
DY11	84887411

Roof with slope of 40 at 55°	Ref.
CX49	84837729

**Galvanized steel protection basket** (25)



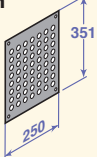
	A	B	C
DY166	154	228	170
DY865	229	260	237
DY866	254	268	270

for Ø 60/100 mm	Ref.
DY166	84887566

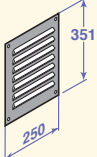
for Ø 80/125 mm	Ref.
DY865	100005002

for Ø 110/150 mm	Ref.
DY866	100005004

**Ventilation screen interior** (19)



**exterior**



Interior ventilation screen	Ref.
DY36	84887436

Exterior ventilation screen	Ref.
DY35	84887435

# LIST AND USE SCENARIOS

## FOR ALL FLUE SYSTEMS ACCESSORIES AVAILABLE

Package No.	Ref.	Description	Ø (mm)	Material	Where used												
					VIVADENS MCR-P 24, 24/28 MI PLUS, VIVADENS MCR-P 24/28 BIC PLUS	VIVADENS MCR-P 30/35 MI PLUS, VIVADENS MCR-P 34/39 MI PLUS	ELIDENS DTG 130-45	INNOVENS PRO MCA 45	ELIDENS DTG 130-65, 90, 115, INNOVENS PRO MCA 65, 90, 115	MODULENS G <sup>®</sup> AGC 10, 15, 25, TWINEO EGC 25, INNOVENS MCA 10, 15, 25, 28 MI, 25/28 BIC	MODULENS G <sup>®</sup> AGC 35, INNOVENS MCA 35	C 230 ECO,	INNOVENS PRO MCA 160	C 330 ECO	C 630 ECO	NEOVO CONDENS, MODULENS O <sup>®</sup> AFC...	NEOVO ECONOX
CX49	84837729	Roof outlet for a slope of 40° to 55° (for mechanical tiles only)	100 to 150		•	•	•	•	•	•				•	•	•	•
CX51	84837731	Water tightness bed plate for flat roof	135		•	•	•		•	•				•	•	•	•
CX52	84837732	Flue tile 25 to 45° black	141		•	•	•		•	•				•	•	•	•
CX63	84837734	Flue tile 35 to 55° black	141		•	•	•		•	•				•	•	•	•
CX64	84837735	Extension concentric L = 250 mm	80/125	Alu/Alu												•	
CX65	84837736	Extension concentric L = 500 mm	80/125	Alu/Alu												•	
CX66	84837737	Extension concentric L = 1000 mm	80/125	Alu/Alu												•	
CX67	84837738	Compensation sleeve 50 to 250 mm	80/125	Alu/Alu												•	
CX68	84837739	45° elbow (2 pieces)	80/125	Alu/Alu												•	
CX72	84837741	Internal finishing plate			•	•	•		•	•				•	•	•	•
CX76	84837743	87° elbow	80/125	Alu/Alu												•	
CX79	84837779	Fastening collar long lug	125		•	•	•		•	•				•	•	•	•
CX83	84837783	Flue tile 25 to 45° red	141		•	•	•		•	•				•	•	•	•
CX84	84837784	Flue tile 35 to 55° red	141		•	•	•		•	•				•	•	•	•
CX93	84837793	Extension concentric L = 2000 mm	80/125	Alu/Alu												•	
CX103	84827103	Water tightness bed plate for flat roof															
CX104	84827104	Black flue tile with black ball pivot for a slope of 25° to 45°	172					•									
CX106	84827106	Black flue tile with red ball pivot for a slope of 25° to 45°	172					•									
CX111	84827111	Fastening collar	150					•									
CX115	84827115	Finishing plates (2-pieces)						•									
CX118	84837118	Fastening collar short lug	125		•	•	•		•	•				•	•	•	•
CX119	84837119	Horizontal forced flue L = 730 mm	80/125	Alu/Alu												•	
CX120	84837120	Flue tile 5 to 25° red	141		•	•	•		•	•				•	•	•	•
CX121	84837121	Flue tile 5 to 25° black	141		•	•	•		•	•				•	•	•	•
DB85	81998548	Inspection pipe L = 250 mm	80/125	Stainless steel/ Stainless steel											•		
DB86	81998549	90° inspection elbow	80/125	Stainless steel/ Stainless steel											•		
DB87	81998544	Long horizontal forced flue	80/125	Stainless steel/ Stainless steel											•		
DB88	81998545	Silencer cartridge for horizontal forced flue													•		
DB89	81998543	Vertical forced flue red	80/125	Stainless steel/ Stainless steel											•		
DB90	81998533	Horizontal forced flue standard	80/125	Stainless steel/ Stainless steel											•		
DB91	81998534	Vertical forced flue black	80/125	Stainless steel/ Stainless steel											•		
DB92	81998535	Extension L = 1000 mm	80/125	Stainless steel/ Stainless steel											•		
DB93	81998536	Extension L = 500 mm	80/125	Stainless steel/ Stainless steel											•		
DB94	81998537	Extension L = 250 mm	80/125	Stainless steel/ Stainless steel											•		
DB95	81998538	Compensation sleeve from 390 mm to 640 mm	80/125	Stainless steel/ Stainless steel											•		
DB96	81998539	90° elbow	80/125	Stainless steel/ Stainless steel											•		•
DB97	81998540	45° elbow (2 pieces)	80/125	Stainless steel/ Stainless steel											•		







# LIST AND USE SCENARIOS

## FOR ALL FLUE SYSTEMS ACCESSORIES AVAILABLE

Package No.	Ref.	Description	Ø (mm)	Material	Where used												
					VIVADENS MCR-P 24/28 MI PLUS, VIVADENS MCR-P 24/28 BIC PLUS	VIVADENS MCR-P 30/35 MI PLUS, VIVADENS MCR-P 34/39 MI PLUS	ELIDENS DTG 130-45 INNOVENS PRO MCA 45	ELIDENS DTG 130-65, 90, 115, INNOVENS PRO MCA 65, 90, 115	MODULENS G <sup>®</sup> AGC 10, 15, 25; TWINEO EGC 25, INNOVENS MCA 10, 15, 25; 28 MI, 25/28 BIC	MODULENS G <sup>®</sup> AGC 35, INNOVENS MCA 35	C 230 ECO, INNOVENS PRO MCA 160	C 330 ECO C 630 ECO	NEOVO CONDENS, MODULENS O <sup>®</sup> AFC...	NEOVO ECONOX	ZENA MS... FF, ZENA PLUS MS... FF	INANEO EMC-M...; PMC-M... PLUS	
DY843	100002732	Vertical forced flue black	80/125	PPs	•	•	•		•	•				•			•
DY844	100002733	Vertical forced flue red	80/125	PPs	•	•	•		•	•				•			•
DY845	100002734	Vertical forced flue black	110/150	PPs/Galva.				•			•						
DY849	100003271	Boiler connection kit perpendicular to the conduit	80/125	Alu/PPs	•	•	•		•	•							•
DY850	100003272	Boiler connection kit in conduit	80/125	Alu/PPs	•	•	•		•	•				•			•
DY855	100003968	87° elbow with bracket	150	Alu							•	•					
DY856	100003969	Finishing plate for chimney	150	Alu							•	•					
DY857	100004040	Horizontal forced flue extension L = 1000 mm	160/200	Alu/PPs							•	•					
DY864	100004243	Horizontal forced flue extension L = 1000 mm	150/220	Alu/Galva.							•	•					
DY865	100005002	Protection basket	80/125	Galva. steel			•							•		•	
DY866	100005004	Protection basket	100/150	Galva. steel				•									
DY868	100005825	Bi-flow adapter	60/100 to 2 x 80	Alu	•	•			•	•							
DY871	100008296	Horizontal forced flue	60/100	Alu/PPs	•	•			•	•							•
DY875	100008311	Inspection elbow	80/125	Alu/PPs	•	•	•		•	•				•			•
DY876	100008312	Chimney connection kit	with adapter 80 to 110	PPs			•										
DY877	100008301	87° inspection elbow (grey)	80	PPs	•	•	•		•	•				•			•
DY879	100010270	Chimney finishing plate	110	PPs							•	•					
DY881	100011364	Horizontal forced flue	110/150	Alu/PPs				•									
DY882	100011365	Horizontal forced flue	80/125	Alu/PPs			•		•	•							•
DY884	S100913	Conversion kit for 3CE conduit			•	•											
DY885	100011888	Horizontal forced flue with centering elbow	60/100	Alu/PPs	•	•											
DY886	100013303	Raised horizontal forced flue with centering elbow		Alu/PPs	•	•											
DY887	100014000	Shared flue system connection kit	80/125	Alu/PPs	•	•			•	•							
DY888	100015287	Flex chimney connection kit	110	PPs				•									
DY889	100015288	Flex pipe L = 15 m	110	PPs				•									
DY890	100015289	Flex pipe L = 25 m	110	PPs				•									
DY891	100015321	Coupling part for flex pipe	110	PPs				•									
DY892	100015322	Air/flue gas vent with flashing for flex pipe	110					•									
DY893	100015323	Inspection pipe for flex pipe	110	PPs				•									
DY894	100015324	Insertion tool for flex pipe	110					•									
DY895	100015325	Flex chimney connection kit	80	PPs	•	•	•		•	•				•			•
DY896	100015326	Flex pipe L = 50 m	80	PPs	•	•	•		•	•				•			•
DY897	100015327	Flex pipe L = 12.5 m	80	PPs	•	•	•		•	•				•			•
DY898	100015328	Coupling part for flex pipe	80	PPs	•	•	•		•	•				•			•
DY899	100015329	Air/flue gas vent with flashing for flex pipe	80	PPs	•	•	•		•	•				•			•
DY900	100015330	Inspection pipe for flex pipe	80	PPs	•	•	•		•	•				•			•
DY901	100015331	Insertion tool for flex pipe	80		•	•	•		•	•				•			•
DY902	100015318	Off-centre adapter	80M-110F	PPs										•			
DY903	100015319	Sleeve with measuring device L = 160 mm	80	PPs										•			
DY904	100015880	Adapter for flex pipe	80	PPs	•	•	•		•	•				•			•
DY905	100015881	Adapter for flex pipe	110	PPs				•									

# LIST AND USE SCENARIOS

## FOR ALL FLUE SYSTEMS ACCESSORIES AVAILABLE

Package No.	Ref.	Description	Ø (mm)	Material	Where used													
					VIVADENS MCR-P 24, 24/28 MI PLUS, VIVADENS MCR-P 24/28 BIC PLUS	VIVADENS MCR-P 30/35 MI PLUS, VIVADENS MCR-P 34/39 MI PLUS	ELIDENS DTG 130-45	INNOVENS PRO MCA 45	ELIDENS DTG 130-65, 90, 115, INNOVENS PRO MCA 65, 90, 115	MODULENS G* AGC 10, 15, 25, TWINFO EGC 25	INNOVENS MCA 10, 15, 25, 25/28 MI, 25/28 BIC	MODULENS G* AGC 35, INNOVENS MCA 35	C 230 ECO,	INNOVENS PRO MCA 160	C 330 ECO C 630 ECO	NEOVO CONDENS, MODULENS O* AFC...	NEOVO ECONOX	ZENA MS... FF, ZENA PLUS MS... FF
DY906	S100762	Bi-flow adapter (INNOVENS PRO)	80/125 to 2 x 80	Alu			•											
DY907	S101626	Bi-flow adapter (INNOVENS PRO)	100/150 to 2 x 100	Alu				•										
DY908	100016485	Horizontal forced flue	60/100	Alu									•			•		
DY909	100016486	Adapter condensates collector	60/100 to 80/125	Alu												•		
DY910	100016487	Condensates collector	60/100	Alu												•		
DY911	100016488	Boiler connection kit on 3CE conduit	60/100	Alu												•		
DY912	100017526	Horizontal forced flue "Retrofit"	60/100	Alu/PPs	•	•												
DY913	100017527	Boiler connection kit	80/125	Alu/PPs	•	•	•		•	•							•	
DY914	100017529	Boiler connection kit	110/150	Alu/PPs				•										
DY915	100017634	Adapter	110/150	Alu/PPs							•							
DY916	100018981	Condensates collector	80/125	Alu/PPs			•											
DY917	100018983	Condensates collector	110	PPs				•									•	
DY918	100018984	Condensates collector	110/150	Alu/PPs				•				•						
DY919	100018985	Condensates collector	80	PPs			•											
DY920	100019963	Horizontal forced flue without elbow	60/100	Alu/PPs								•					•	
DY921	100020019	Boiler connection kit on 3CE conduit	80/125	Alu/PPs													•	
DY923	7650954	Connecting-kit B23 "Quick-kit"	80	PPs										•				
DY924	7650956	Connecting-kit B33 "Quick-kit"	80/125	Alu/PPs	•	•	•	•		•							•	
DY925	7650958	Connecting-kit C93 "Quick-kit" perpendicular	80/125	Alu/PPs	•	•	•		•	•				•			•	
DY926	7650963	Black terminal with flashing	80		•	•	•		•	•				•			•	
DY927	7650964	Connecting-kit C93 "Quick-kit" under chimney	80/125	Alu/PPs	•	•	•		•	•				•			•	
DY928	7650968	Black air/flue gas terminal	60/100	Alu/PPs	•	•			•	•							•	
DY929	7650969	Boiler connection kit on 3CE conduit	60/100	Alu/PPs	•	•			•	•							•	
EH645	7627596	Adaptor	150 of 200	PPs								•						
EH692	7619539	Concentric adapter kit air/flue gas Ø 150	100/150	PPs								•						
FM164	100006120	Silencer for flue gas pipe	110											•				
FM183	100007638	Horizontal terminal	80/125	Alu/PPs										•				
HC154	100002685	Flue damper (ELIDENS)	100	Stainless steel			•											
HR38	S100465	Adapter	80/125	Alu/PPs					•	•								
HR48	100013756	Horizontal forced flue	60/100	Alu/PPs					•	•								
HR67	S101712	Reduction elbow	60/100	Alu/PPs													•	
HR68	S101688	Adapter	80/125	Alu/PPs													•	
HR70	S101711	Bi-flow adapter	2 x 80	Alu													•	
HX 30	100016413	Bi-flow adapter	2 x 80	Alu													•	
GR12	100003347	Alarm/External gas valve transfer PCB and flue damper (ELIDENS)					•	•										
GS23	100002457	Motorised flue damper	250										•					
GV24	100011033	Motorised flue damper	150								•							
JA43	100018253	Reduction elbow	60/100	Alu/PPs					•	•								
MV9	100017720	Back outlet kit (AFC... E)	80	PPs										•				
-	300007172	Protection screen for roof outlet	90	Stainless steel	•	•	•		•	•				•			•	
-	300007173	Protection screen for roof outlet	120	Stainless steel			•	•										



# LIST AND USE SCENARIOS FOR ALL FLUE SYSTEMS ACCESSORIES AVAILABLE

Package No.	Ref.	Description	Ø (mm)	Material	Where used															
					VIVADENS MCR-P 24/28 MI PLUS, VIVADENS MCR-P 24/28 BIC PLUS	VIVADENS MCR-P 30/35 MI PLUS, VIVADENS MCR-P 34/39 MI PLUS	ELIDENS DTG 130-45 INNOVENS PRO MCA 45	ELIDENS DTG 130-65, 90, 115, INNOVENS PRO MCA 65, 90, 115	MODULENS G <sup>®</sup> AGC 10, 15, 25, TWINEO EGC 25, INNOVENS MCA 10, 15, 25, 25/28 MI, 25/28 BIC	MODULENS G <sup>®</sup> AGC 35, INNOVENS MCA 35	C 230 ECO, INNOVENS PRO MCA 160	C 330 ECO C 630 ECO	NEOVO CONDENS, MODULENS O <sup>®</sup> AFC...	NEOVO ECONOX	ZENA MS... FF, ZENA PLUS MS... FF	INANEO EMC-M...; PMC-M... PLUS				
-	S103118	Flue gas collector for 2 x C 330 ECO	-	Alu																
-	S103128	Air inlet collector IC 630 ECO or 2 x C 330 ECO	2 x 250 to 350	Alu																
-	S103178	Adapter flue gas for replacement C 310 ECO for C 330 ECO	-	Alu																
-	S103179	Reduction (C 330 ECO)	250 to 200	Alu																
-	51202	Vertical forced flue (C 330 ECO)	200/300	Alu/Galva.																
-	51203	Vertical forced flue (C 330 ECO)	250/350	Alu/Galva.																
-	46157	Flashing for flat roof (C 330 ECO)	300																	
-	46158	Flashing for flat roof (C 330 ECO)	350																	
-	544439	Vertical forced flue (C 630 ECO)	2 x 350	Alu																

**DE DIETRICH THERMIQUE**

S.A.S. with corporate capital of 22 487 610 €

57, rue de la Gare - F-67580 MERTZWILLER

Tel. +33 3 88 80 27 00 - Fax +33 3 88 80 27 99

[www.dedietrich-heating.com](http://www.dedietrich-heating.com)

