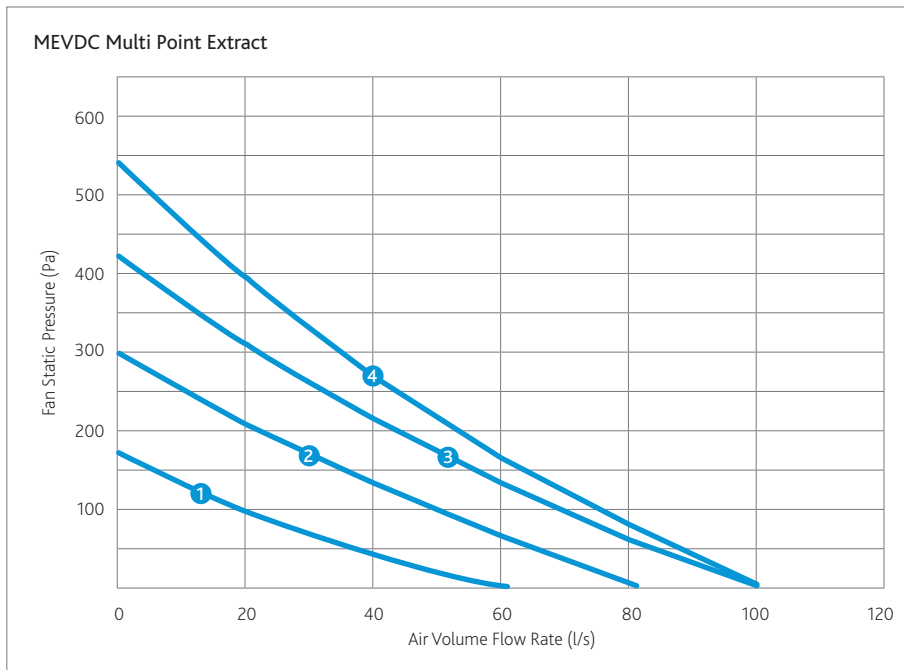


MEVDC

A quiet, energy-efficient, low depth central extract system, which has been independently tested by the Building Research Establishment (BRE) for inclusion within the Product Characteristics Database (previously SAP Appendix Q).



Performance



Sap Appendix Q Test Results

Application	MEVDC		MEVDC-ES	
	Specific Fan Power (W/l/s)	Energy Saving Trust Best Practice Compliant	Specific Fan Power (W/l/s)	Energy Saving Trust Best Practice Compliant
Kitchen + 1 Wet Room	0.35	Yes	0.34	Yes
Kitchen + 2 Wet Room	0.30	Yes	0.31	Yes
Kitchen + 3 Wet Room	0.31	Yes	0.33	Yes
Kitchen + 4 Wet Room	0.33	Yes	N/A	Yes
Kitchen + 5 Wet Room	0.38	Yes	N/A	Yes

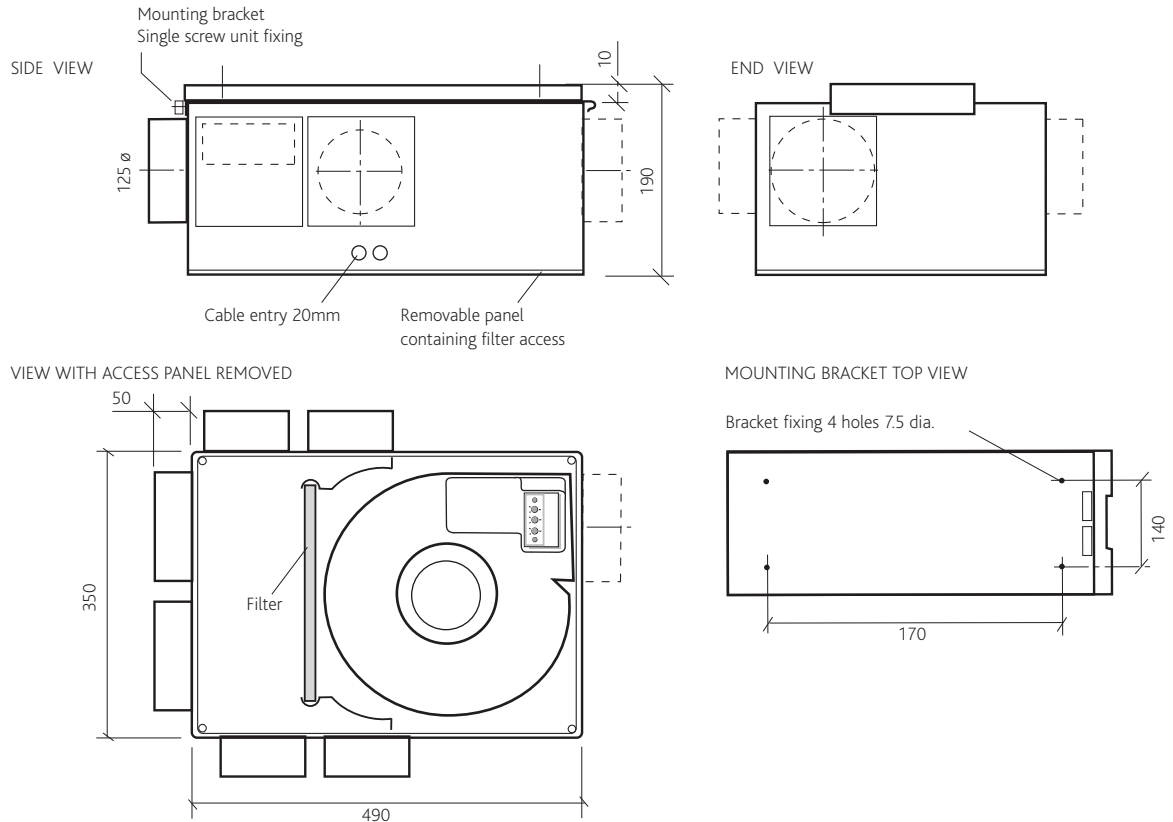
Electrical & Sound

Curve	Maximum power consumption (Watts)	FLC Amps	Sound Power Levels dB re 1pW								dBA @3m Curve
			63	125	250	500	1K	2K	4K	8K	
1	11	0.14	39	39	44	36	31	22	21	18	19
2	21	0.19	40	42	46	41	37	28	24	18	27
3	35	0.25	43	43	50	46	41	31	28	27	31
4	52	0.37	45	44	54	52	44	35	31	27	34

Note: above sound level figures are for lined lid unit. Unit has a soft start feature as standard therefore the starting current is the same as the full load current. Step curves are for information purposes only and are not individual units. The electrical and sound information in the table is nominal. Note: dBA figures are calculated based on hemispherical propagation.

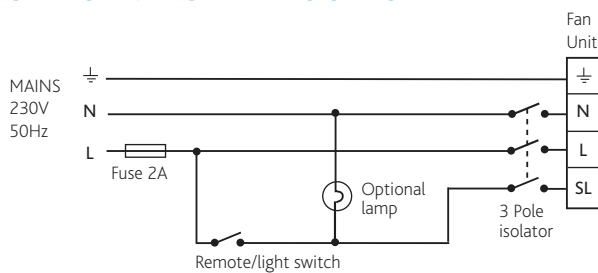
General Arrangement

DIMENSIONS (MM)

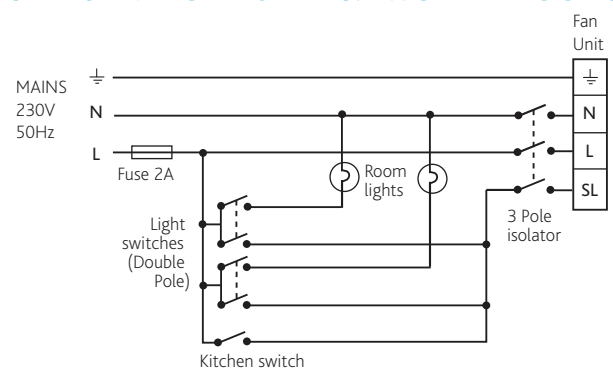


Wiring

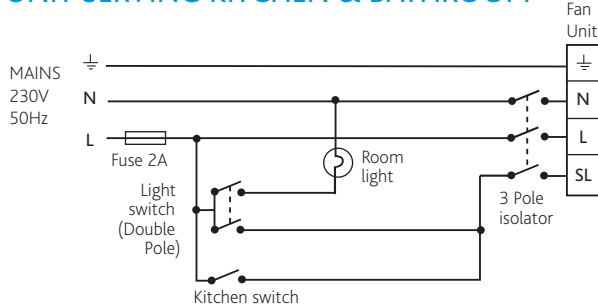
UNIT SERVING BATHROOM ONLY



UNIT SERVING KITCHEN & TWO BATHROOMS



UNIT SERVING KITCHEN & BATHROOM



OPTIONAL EXTRAS

	Code
Ecosmart compatible	ES
Run on timer	R
G2 filter	G2
G4 filter	G4
Acoustic lining (full case)	L
Humidistat	H
Spigot/damper kits (Choose from S1-D4)	
Kit 1 - 4 x 100 circular & 2 x 125 circular spigots	S1
Kit 2 - 6 x rectangular spigots 110 x 54mm	S2
Kit 3 - 6 x rectangular dampers 110 x 54mm	D3
Kit 4 - 4 x 100 & 2 x 125 circular damper	D4

CODE DESCRIPTION

MEVDC-ES G2 L H D4

| | | | | |
 1 2 3 4 5 6

1. DC motor type
2. Ecosmart compatible (optional)
3. G2 filter (optional)
4. Lined case (optional)
5. Humidistat (optional)
6. D4 damper kit (optional)

Consultants Specification

MEVDC UNIT

The unit shall be designed specifically for incorporation within a system designed to comply with the requirements of Part F Building Regs. Ducting and grilles forming part of the system are specified elsewhere.

The unit shall be manufactured by a BSI Registered Firm with ISO 9000 certification. The unit's casing shall be of ABS, Moulded plastic.

The unit shall incorporate a low profile single point mounting bracket for horizontal or vertical mounting of the unit. When installed the unit shall not project any more than 190mm from the surface onto which it installed.

Air discharge from the unit shall be via a tapered spigot for easy connection to ducting. The unit shall be capable of multiple air inlets formatting. The unit casing shall have the facility to allow the connection, via tapered air inlet spigots supplied with one off 125mm diameter spigot.

The unit shall be constructed with one removable panel allowing full maintenance access. The unit shall incorporate a fully speed adjustable (note: stepped speed control shall not be acceptable) low energy, high efficiency DC fan/motor assembly with sealed for life bearings designed to operate continuously at a pre-set "background" design airflow rate with the ability to increase to a pre-set "boost" design airflow rate as and when required. It shall operate up to an ambient temperature of 40°C and be fitted with a locked rotor protection device.

The impeller should be a centrifugal backward curved type, dynamically balanced mounted directly onto the motor.

The unit shall incorporate electrical connections to allow for the unit's "boost" airflow to be triggered by:

A switched live signal, 230V.

The MEVDC unit shall be offered with a 5 year warranty.