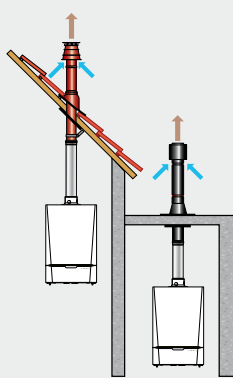


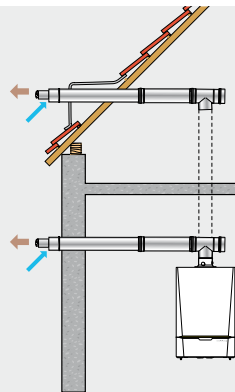
FLUE SYSTEMS

AIR / FLUE GAS CONNECTION FOR AIRTIGHT, PRESSURISED BOILERS

- Classification and selection p. 2 and 3
- Regulations and recommendations..... p. 4 to 11
- The various configurations applied to De Dietrich boilers p. 12 to 77
- List and use scenarios of all flue systems accessories available p. 78 to 84



Vertical forced flue configuration



Horizontal forced flue configuration



Flue systems accessories



The flue systems that we sell have CE marking

This "FLUE SYSTEMS" brochure contains all of the technical and statutory information regarding the air inlet and flue gas evacuation conduits used in DE DIETRICH forced flue boilers:

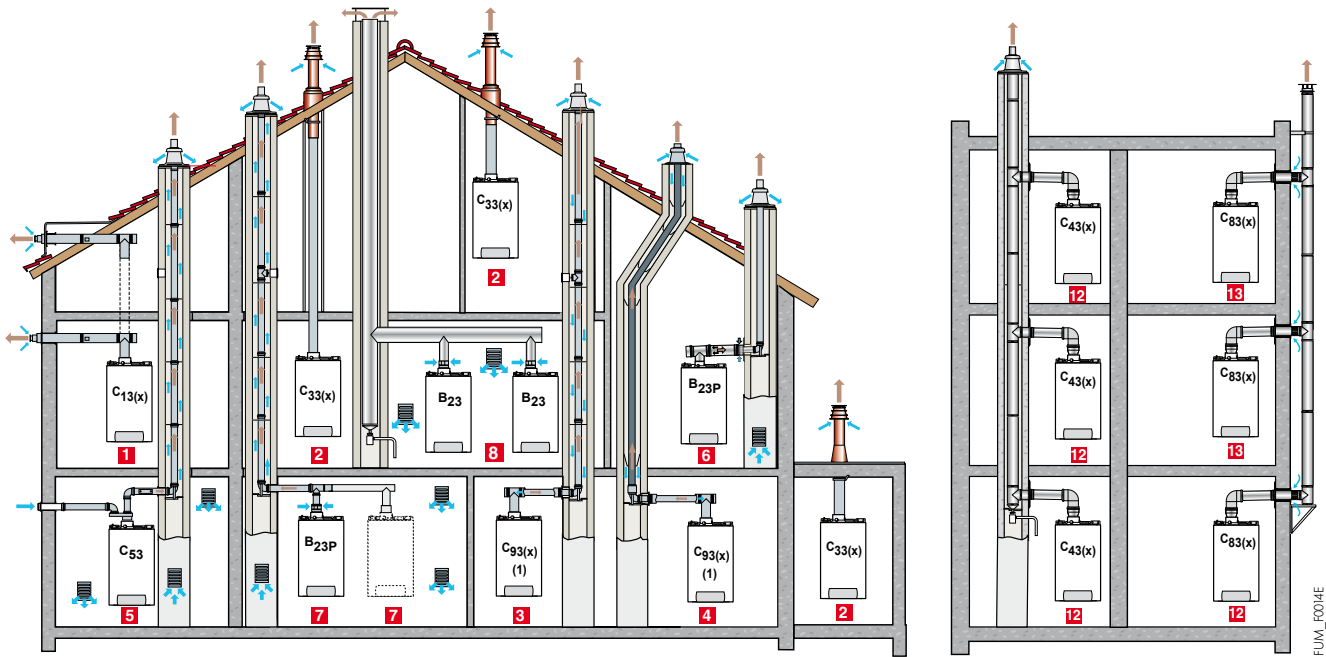
- Type B: chimney connection
- Type C: forced flue connection

Depending on the **configuration selected on page 2**, its design makes it easier to come to a decision on the various accessories needed for the air/flue gas connection of the De Dietrich boilers concerned.

The **table on page 3 indicates which page to refer to per type of boiler and type of configuration**; on each of these pages, the accessories are listed by package no. and reference and are illustrated by dimensional diagrams.

A table at the end of the brochure summarises all of the flue systems accessories available, listed by package no., along with the situations in which they should be applied.

CLASSIFICATION AND SELECTION



Type	Classification	Air/flue gas pipe type	Particularity	Observations
1	C _{12(x)} C _{13(x)}	concentric	horizontal terminal	so-called forced flue
2	C _{32(x)} C _{33(x)}	concentric	vertical terminal	roof outlet
3	C _{92(x)} C _{93(x) (1)}	- concentric in boiler premises or boiler room - single in chimney flue	rigid pipes	combustive air in counter-current in the chimney flue
4	C _{92(x)} C _{93(x) (1)}	- concentric in boiler premises or boiler room - single in chimney flue	flex pipes	
5	C ₅₂ C ₅₃	single separate	bi-flow adapter	separate pipe
6	B _{22p} B _{23p}	single in pressurised chimney flue	flex and/or rigid pipes	combustive air taken in through a screen on the wall of the boiler premises
7	B _{22p} B _{23p}	single in pressurised chimney flue	cascade installation	
8	B ₂₂ B ₂₃	single in chimney flue under vacuum	single boiler or cascade installation	
12	C _{42(x)} C _{43(x)}	- collective concentric in the chimney flue - concentric in boiler premises/boiler room	rigid pipes	appellation 3CE (P)
13	C _{82(x)} C _{83(x)}	- collective single insulated on the outside - concentric in boiler premises/boiler room	rigid pipes	appellation 3CE (P)

(1) C_{93(x)}: formerly C_{33(x)}

CLASSIFICATION AND SELECTION

Classification and selection	p. 2
Regulations and recommendations	p. 4

			1 C12(x) C13(x)	2 C32(x) C33(x)	3 C92(x) C93(x)	4 C92(x) C93(x)	5 C52 C53	6 B22p B23p	7 B22p B23p	12 C42(x) C43(x)	
Domestic residential	GAS	Condensing boilers									
		QUADRODENS DUC 25-..	Alu, PPS	p. 12	p. 16	p. 20	p. 24	p. 28	p. 32/36	-	-
		MODULENS G® AGC 10, 15, 25, 35	Alu, PPS	p. 12	p. 16	p. 20	p. 24	p. 28	p. 32/36	-	-
		TWINEO EGC 25	Alu, PPS	p. 12	p. 16	p. 20	p. 24	p. 28	p. 32/36	-	-
		INNOVENS MCA 10/15/25/35, MCA 25/28 MI, 25/28 BIC	Alu, PPS	p. 12	p. 16	p. 20	p. 24	p. 28	p. 32/36	-	p. 42
		VIVADENS MCR...	Alu, PPS	p. 14	p. 16	p. 20	p. 24	p. 28	p. 32/36	-	p. 42
	Traditional boilers										
	ZENA MS FF	Alu	p. 68	p. 70-72	-	-	p. 74	-	-	p. 76	
	OIL	Condensing boilers									
		GTU C 120/1200	Alu, PPS	-	-	-	-	-	p. 62	-	-
GTU C 120/1200 FF		Alu, PPS	p. 56	p. 58	p. 60	p. 60	-	-	-	-	
WINGO SFC 25 (E), 1025 (E)		Alu, PPS	-	-	-	-	-	p. 62	-	-	
WINGO SFC 25 (E) FF, 1025 (E) FF		Alu, PPS	p. 56	p. 58	p. 60	p. 60	-	-	-	-	
Traditional boilers											
GTU 124/1204 FF	Stainless steel	p. 64	p. 66	-	-	-	-	-	-	-	
Tertiary collective	GAS	Condensing boilers									
		ELIDENS DTG 130-45	Alu, PPS	p. 12	p. 18	p. 22	p. 24	p. 28	p. 32/36	-	-
		ELIDENS DTG 130-65/90/115	Alu, PPS	p. 12	p. 18	p. 22	p. 26	p. 30	p. 34/38	-	-
		C 230 Eco	Alu, PPS	p. 44	p. 46	-	-	-	p. 48-50	p. 52	-
		C 310 Eco	Alu, PPS	-	p. 54	-	-	-	p. 55	p. 55	-
		C 610 Eco	Alu, PPS	-	p. 54	-	-	-	p. 55	p. 55	-
		INNOVENS PRO MCA 45	Alu, PPS	p. 12	p. 18	p. 22	p. 24	p. 28	p. 32/36	p. 40	-
INNOVENS PRO MCA 65/90/115	Alu, PPS	p. 12	p. 18	p. 22	p. 26	p. 30	p. 34/38	p. 40	-		

Details: - the letter "x" means that not all of the components carrying pressurized flue gases come into direct contact with the ambient air in the premises.
 - the difference between classifications C..2 and C..3 lies solely in the position of the forced flue fan in relation to the combustion chamber (C..2: located downstream ; C..3: located upstream).

*** Homologation regarding type C boilers:**

In accordance with the prevailing Standards applicable to type C1., C3., C9 and C5.. gas and oil boilers, these must be installed with their approved combustive air inlet and combustion product evacuation conduits and the appropriate terminals

**** In 3CEP configuration, the boiler must be fitted with a flue gas damper homologated with the boiler:**

- fitted as standard to INNOVENS MCA and INNOVENS PRO MCA 45 to 115 boilers
- optional for VIVADENS and C 230 Eco boilers

REGULATIONS AND RECOMMENDATIONS (EX. ACCORDING TO FRENCH STANDARDS)*

*** For other countries, installation must be carried out by a qualified professional in compliance with prevailing local and national regulations.**

Type C appliances can be installed in all kinds of premises regardless of the volume, even if they do not incorporate a window or other opening.

As the connections of chimney flues **types B_{22p} and B_{23p}** and separate conduits **types C₅₂ and C₅₃** are pressurised, these conduits must be:

- either installed outside
- or installed in a ventilated brick shaft inside

Ventilation must be handled:

- by an opening located in the lower section, taking air from the ventilated common areas or directly from the outside
- and by an opening located in the upper section coming out outside

The minimum cross-section of the air space and these openings must be 100 cm² free section (overall).

The detachable parts of this shaft must enable the inspection of the flue along its entire length.

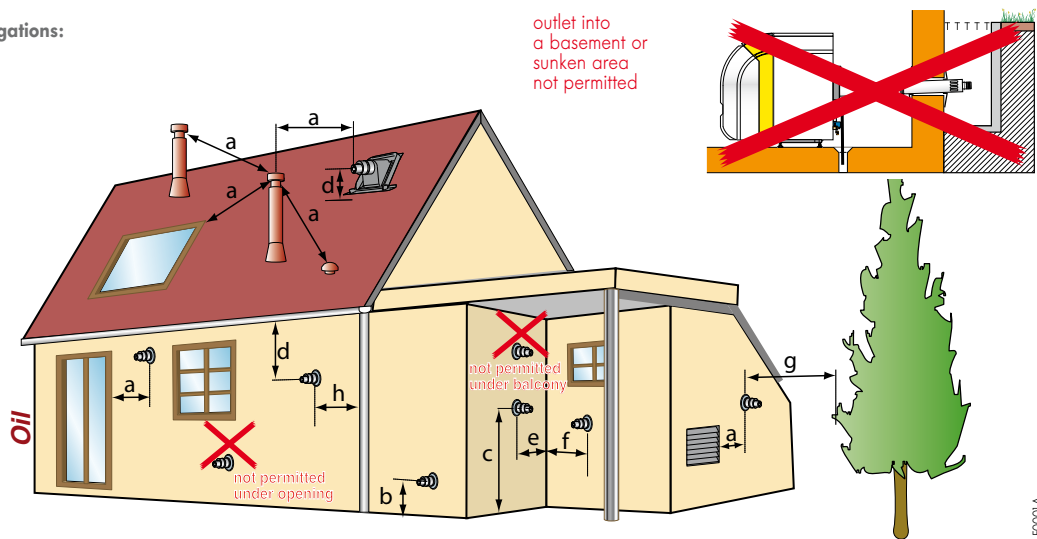
The boiler must be connected according to prevailing provisions, i.e. with conduits intended to evacuate pressurised flue gases. The latter must be leakproof as regards the flue gases and resistant to corrosion to comply with the following points:

- appliances must be installed in such a way that their relative position in relation to the evacuation system cannot be modified, even after maintenance work
- the appliance and its connection conduit must be accessible and detachable at all times for the purposes of maintenance and repair
- type C_{12x}, C_{13x}, C_{32x}, C_{33x}, C_{93x}, C₅₂ and C₅₃ appliances may be used only with the devices mentioned in reference in this brochure and in the installation instructions
- all condensing gas and oil boilers are also B_{22p} or B_{23p} approved. They can therefore be connected to single conduits, combustive air being taken in through an outside grille on the wall of the boiler premises.

FOR A BOILER OPERATING ON DOMESTIC FUEL OIL:

Other recommendations and obligations:

- In respect of the neighbourhood:
 - neighbouring wall without openings:
 - with deflector: 2 m
 - without deflector: 8 m
 - neighbouring wall with openings:
 - with deflector: 5 m
 - without deflector: 8 m
- In respect of an adjacent or access road: if the forced flue outlet is located less than 1.8 m from the ground, the installation of a grille with deflector is compulsory.



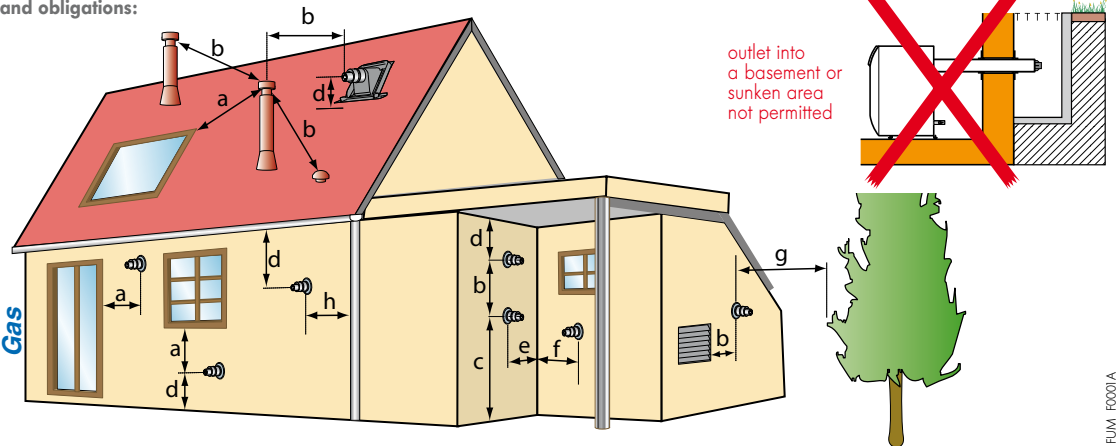
Reference selected	a	b	c	d	e	f	g	h
Distance to be observed (m)	1,00	0,50	1,80	0,30	3,00	0,80	2,00	0,10
Obligation or recommendation	obligation	obligation	obligation	recommendation	recommendation	recommendation	recommendation	recommendation
Stipulations and details on installation	minimum distance from the centre of the combusted gas outlet to all openings and air inlets	minimum distance from the centre of the combusted gas outlet to the ground	minimum distance from private or public road or path unless deflector and protection	distance from the combusted gas outlet to the eaves	distance from the combusted gas outlet a wall at 90° with opening or air inlet	distance from the combusted gas outlet to a wall at 90° without opening or air inlet	distance from the combusted gas outlet to any planting	distance from the combusted gas outlet to a gutter or downpipe

REGULATIONS AND RECOMMENDATIONS (EX. ACCORDING TO FRENCH STANDARDS)*

FOR A BOILER WITH AN OUTPUT < 70 kW OPERATING ON NATURAL GAS OR PROPANE GAS:

Other recommendations and obligations:

- In respect of the neighbourhood:
 - neighbouring wall without openings:
 - . with deflector: 2 m
 - . without deflector: 8 m
 - neighbouring wall with openings:
 - . with deflector: 5 m
 - . without deflector: 2 m
- In respect of an adjacent or access road:
 - If the forced flue outlet is located at less than 1.8 m from the ground, the installation of a grille with deflector is compulsory.



Reference selected	a	b	c	d	e	f	g	h
Distance to be observed (m)	0,40	0,60	1,80	0,30	1,50	1,00	2,00	0,10
Obligation or recommendation	obligation	obligation	obligation	recommendation	recommendation	recommendation	recommendation	recommendation
Stipulations and details on installation	minimum distance from the centre of the combusted gas outlet to all openings	minimum distance from the centre of the combusted gas outlet to all air intake openings	minimum distance from private or public road or path unless deflector and protection	distance from the combusted gas outlet to the ground and/or the eaves or above a balcony	distance from the combusted gas outlet a wall at 90° with opening or air inlet	distance from the combusted gas outlet to a wall at 90° without opening or air inlet (0,15 if deflector)	distance from the combusted gas outlet to any planting	distance from the combusted gas outlet to a gutter or downpipe

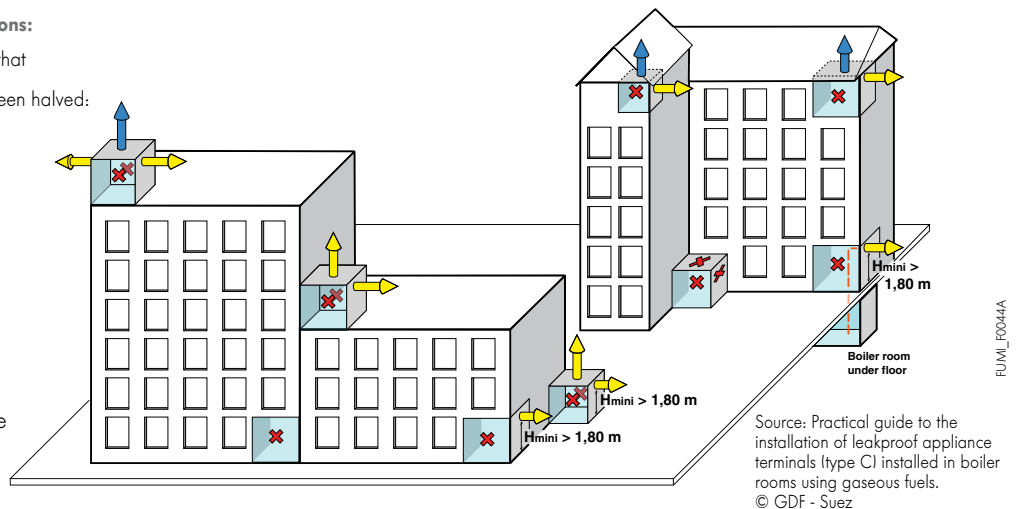
INSTALLATION RULES FOR A BOILER WITH AN OUTPUT ≥ 70 kW OPERATING ON NATURAL GAS OR PROPANE GAS

Other recommendations and obligations:

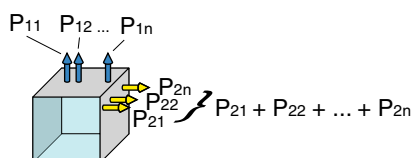
- No emissions are permitted on walls that incorporate openings and air inlets
- The maximum output permitted has been halved:
 - 250 kW max from horizontal outlets
 - 2000 kW max from vertical outlets

Key:

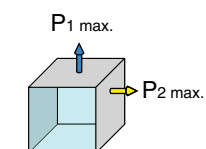
- $P_u \leq 250$ kW
- $P_u \leq 2,000$ kW
- Boiler room
- Cases in which the outlet from a leakproof appliance terminal is prohibited
- Blank wall



Source: Practical guide to the installation of leakproof appliance terminals (type CI) installed in boiler rooms using gaseous fuels. © GDF - Suez



	Multiple horizontal and vertical outlets	
	in the upper sections of buildings	at the foot of buildings
$P_{11} + P_{12} + \dots + P_{1n}$	$\leq 2,000$ kW and $\leq 2,000$ kW - $(P_{21} + P_{22} + \dots + P_{2n})$	≤ 250 kW - $(O_{21} + O_{22} + \dots + O_{2n})$
$P_{21} + P_{22} + \dots + P_{2n}$	≤ 250 kW	≤ 250 kW



	Horizontal and vertical outlet	
	in the upper sections of buildings	at the foot of buildings
$O_{1 \text{ max.}}$	$= 2,000$ kW - O_2	$= 250$ kW - O_2
$O_{2 \text{ max.}}$	$= 250$ kW	$= 250$ kW

HORIZONTAL/VERTICAL FORCED FLUE

USE OF CONCENTRIC COAXIAL PIPES

The flue gas evacuation terminal must come out horizontally/vertically towards the outside **according to prevailing regulations**.

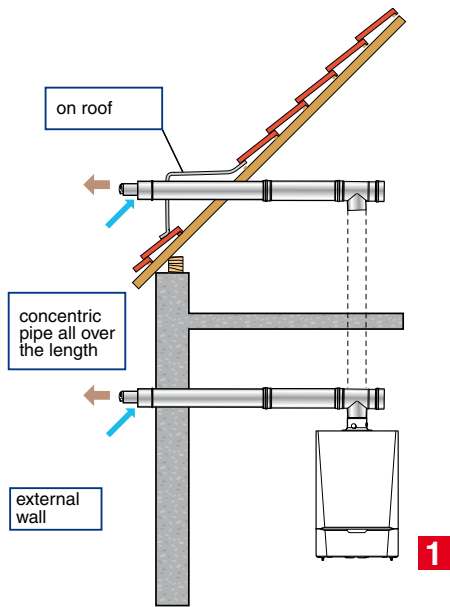
The evacuation vents on appliances must be situated according to the instructions given on pages 4 and 5 of this brochure. No ventilation relating to the provision of combustive air or the evacuation of combustive products is needed, given the technical characteristics unique to this type of configuration (appliance with sealed combustion circuit).

The conduits must be protected against the risk of mechanical shock when passing inside the apartment or its annexes. When passing through other apartments or common areas, the conduits must be nominally vertical and placed inside a shaft with a degree of fire resistance that complies with regulations on fire protection and a degree of at least half an hour.

1 HORIZONTAL FORCED FLUE

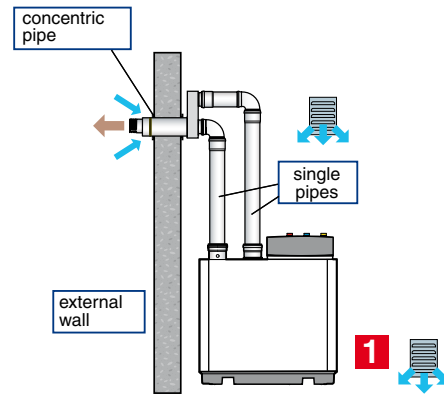
The combustive air inlet and combustion product evacuation terminal must be installed on an outer wall more than 1.80 m

C_{12x}, C_{13x}



above the ground or securely protected against outside interference likely to impair normal operation.

C₁₂, C₁₃

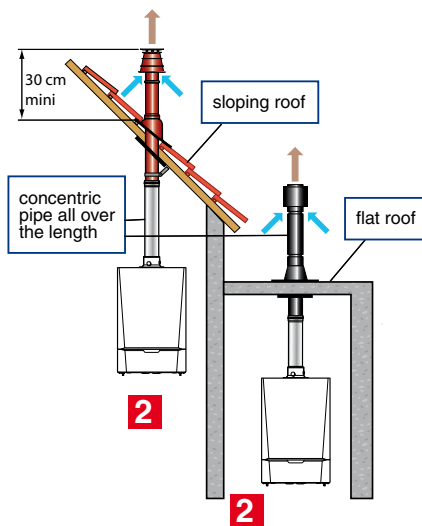


2 VERTICAL FORCED FLUE

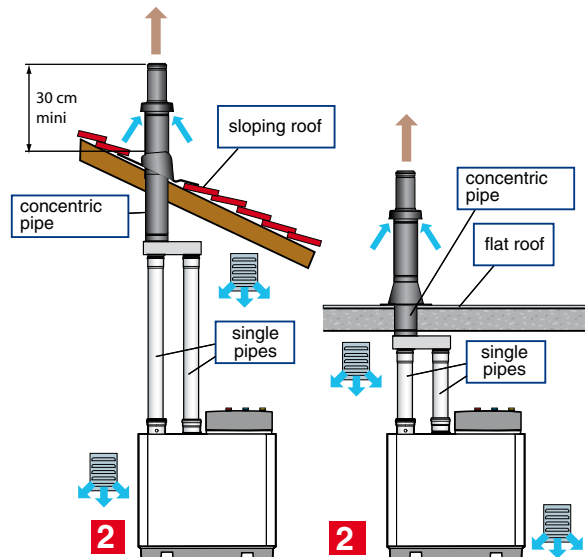
A minimum distance of 30 cm between roof level (sloping or flat) and the air intake zone must be observed following the

diagram below in order to prevent disruptions to the very functioning of the appliance (e.g. accumulation of snow).

C_{32x}, C_{33x}



C₃₂, C₃₃



FUM_F0002D

FUM_F0002D

RIGID/FLEXIBLE FLUE GAS PIPES

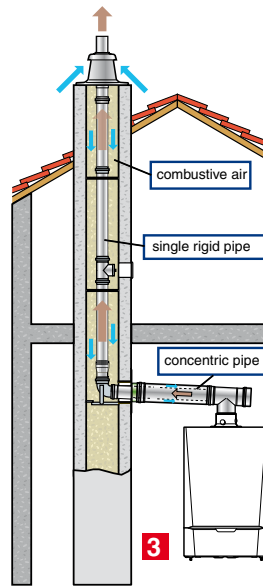
USE OF RIGID CONCENTRIC PIPES IN BOILER PREMISES OR BOILER ROOMS AND SINGLE RIGID/FLEXIBLE PIPES IN CHIMNEYS

The flue gas evacuation terminal must come out vertically towards the outside **according to prevailing regulations**. The evacuation vents on appliances must be situated according to the instructions given on pages 4 and 5 of this brochure. No ventilation relating to the provision of combustive air or the evacuation of combustive products is needed, given the technical characteristics unique to this type of configuration (appliance with sealed combustion circuit).

Parts from concentric conduits are employed in order to make the connection between the boiler and the chimney flue. As for single conduits, these are inserted into an existing brickwork chimney flue, used, therefore, both:

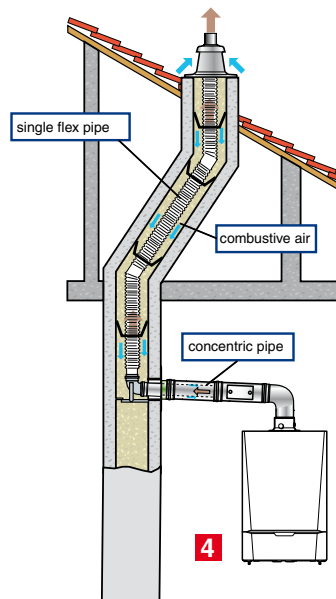
- as a shaft for routing single conduits evacuating combustion products
- and as a combustive air intake, in counter-current, around the single rigid/flexible conduit.

3 C_{92x} AND C_{93x} SINGLE RIGID FLUE GAS PIPE IN CHIMNEY AND COMBUSTIVE AIR IN COUNTER-CURRENT



FUM_F0003B

4 C_{92x} AND C_{93x} SINGLE FLEXIBLE FLUE GAS PIPE IN CHIMNEY AND COMBUSTIVE AIR IN COUNTER-CURRENT



FUM_F0003B

Note: Configurations C_{92(x)} and C_{93(x)} correspond to former configurations C_{32(x)} and C_{33(x)} with recuperation of a conduit from an existing chimney.

BI-FLOW CONNECTION

USE OF SINGLE RIGID PIPES

The flue gas evacuation terminal must come out vertically on the roof **according to the prevailing regulations**.

The combustible air inlet terminal must be installed on an outer wall more than 1.80 m above the ground or securely protected against outside interference likely to impair normal operation.

The evacuation vents on appliances must be situated according to the instructions given on pages 4 and 5 of this brochure.

⇨ In individual housing:

The premises in which the appliance is situated must be located vertically to the base of the flue gas evacuation conduit and be ventilated:

- . either by the home ventilation system if the premises are part of the habitable volume
- . or by upper and lower vents of at least 50 cm² each

Encased flue gas evacuation conduits:

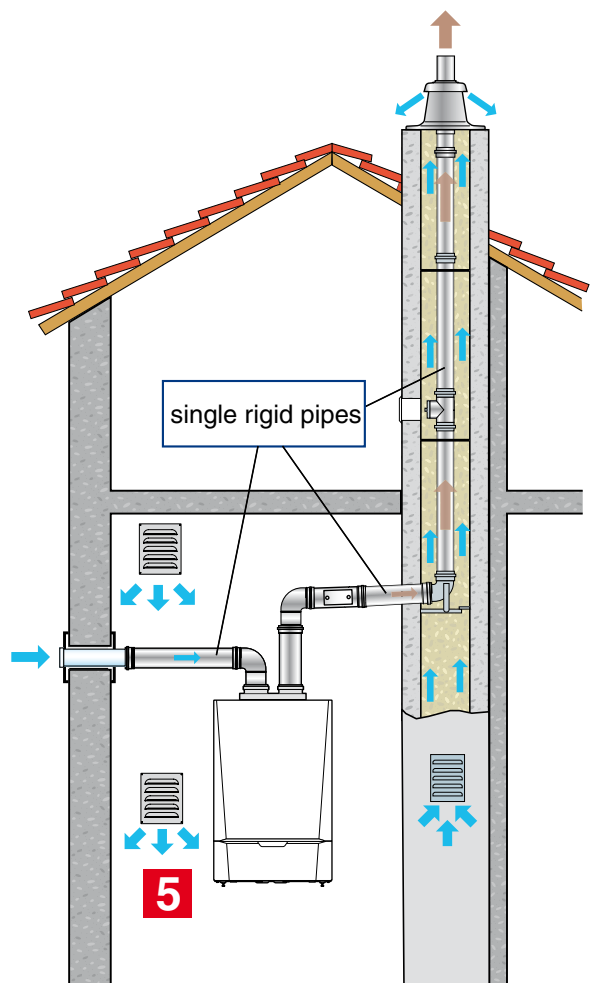
The 1st wall pierced by the flue gas evacuation conduit (1st floor) delimits the start of a specific class M1 encasement, from floor to floor, which must be installed to protect the conduit to its full height when passing through all of the other rooms and

passageways. Passage through this 1st floor must be sealed by a silicon rosette designed for this purpose. The distance between the outer wall of the flue gas evacuation conduit and the casing must be more than or equal to 50 mm. The space between conduit and casing communicates with the outside at the top either directly or in a loft space which is unsuitable for conversion or in the roof space through a min. opening of 100 cm².

⇨ In collective housing:

The provisions on construction laid down for individual housing must be respected, except for the following point: in the field of use under consideration, the flue gas evacuation conduits are placed in a specific service shaft with fire resistance of a quarter of an hour. The top of this shaft is fitted with an outside ventilation grille of 100 cm².

5 C₅₂ AND C₅₃ BI-FLOW CONNECTION



⚠ Configuration only allowed in boiler room

CHIMNEY CONNECTION

USE OF SINGLE RIGID OR FLEXIBLE PIPES

The flue gas evacuation terminal must come out vertically on the roof **according to the prevailing regulations**.

The evacuation vents on appliances must be situated according to the instructions given on pages 4 and 5 of this brochure.

Subject to compliance with prevailing regulations, this system can be connected to appliances in which the temperature of the combustion products during normal operation is lower than or equal to 160°C.

In residential buildings, use of this system is restricted to buildings in the 1st and 2nd categories. In the case of configurations "re-using an existing individual conduit", use of this system is possible in all buildings, regardless of the category.

The appliance can be installed:

- depending on output:
 - in a boiler room or mini boiler room
 - or in adjoining premises located outside the habitable volume on condition that the calorific output Q_n is < 85 kW
- if special premises are unavailable, in the habitable volume under the following conditions:
 - calorific output of the appliance < 35 kW
 - there is no other combustion appliance operating on natural draught in the housing unit (particularly open combustion chamber).
 - the pressurised parts have to be surrounded with air

The conduits serving the appliances must be placed in a continuous vertical shaft to the full height of the building.

This shaft must be:

- constructed from M0 or A2-s1 material, d0 and with fire resistance equivalent to that of the walls traversed as required by fire safety regulations.
- ventilated by permanent top and bottom vents coming out directly on the outside.
- fitted with an access hatch that can be opened from inside with a cross-section of 0.60×0.60 m with a PF degree of half an hour.
- without any openings apart from those needed for ventilation and access.

Ventilation of the boiler premises or boiler room:

In the case of direct air intake, the cross-section of compulsory ventilation must have a minimum surface area of 50 cm^2 up to an output of 25 kW and 70 cm^2 for an output of between 25 and 70 kW (NF DTU P 45 204).

For boilers with a nominal output of more than 70 kW, according to DTU 65.4 (NF P 52-221), compulsory ventilation at the top and bottom:

- Ventilation at the top:

Cross-section equal to half of the total cross-section of the flue gas conduits with a minimum of 2.5 dm^2

- Ventilation at the bottom:

$$\text{direct air intake: } \text{Cross-section (dm}^2\text{)} \geq \frac{0.86 P}{20}$$

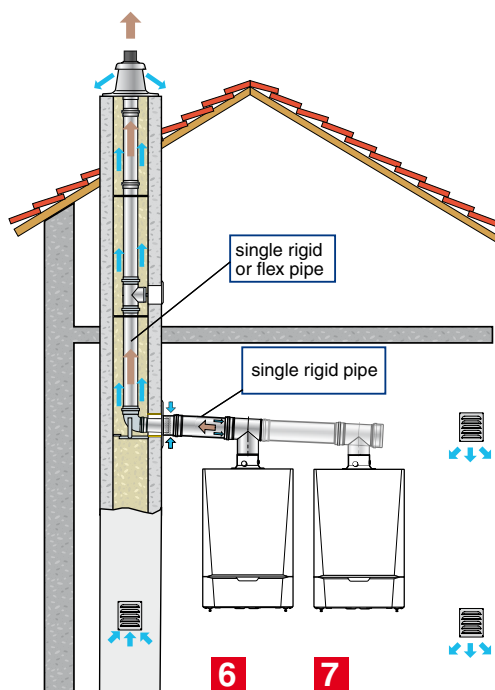
$$P = \text{Installed output in kW}$$

The location of air inlets in relation to the top ventilation openings must ensure that the air is renewed in the entire volume of the boiler room.

6 7 8 CHIMNEY CONNECTION

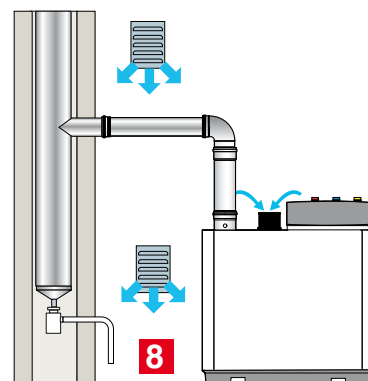
B22P, B23P

Pressurised flue gas conduit



B22, B23

Flue gas conduit under vacuum, impervious to humidity



CONNECTION TO A COLLECTIVE CONDUIT 3CEP

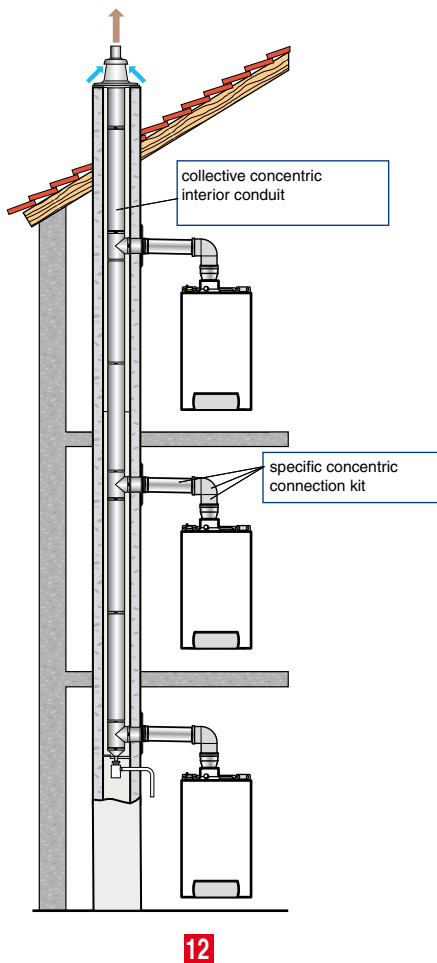
USE OF A SPECIFIC CONNECTION KIT (ACCORDING TO THE PREVAILING REGULATIONS)

Boilers must be equipped with a flue gas damper homologated with the boiler.

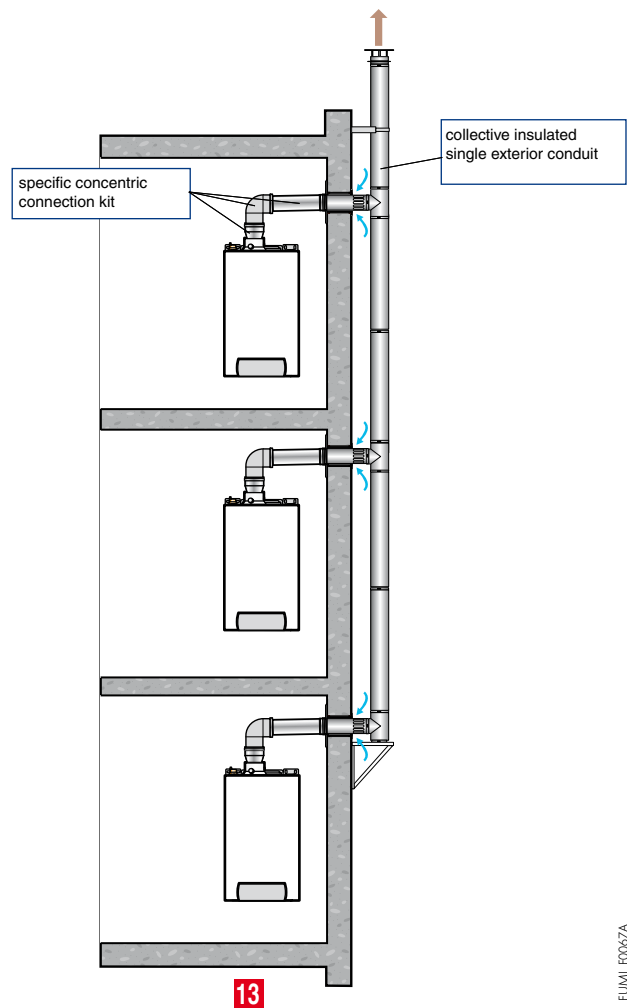
It is possible to install boilers with different outputs to the same conduit.

Two installation configurations are possible:

12 Connection to a collective concentric interior conduit



13 Connection to a collective insulated single exterior conduit (suitable for the renovation of collective housing)



FUJMI_F0067A

INFORMATION SPECIFIC TO THE FLEXIBLE OUTLET PIPE IN PPS

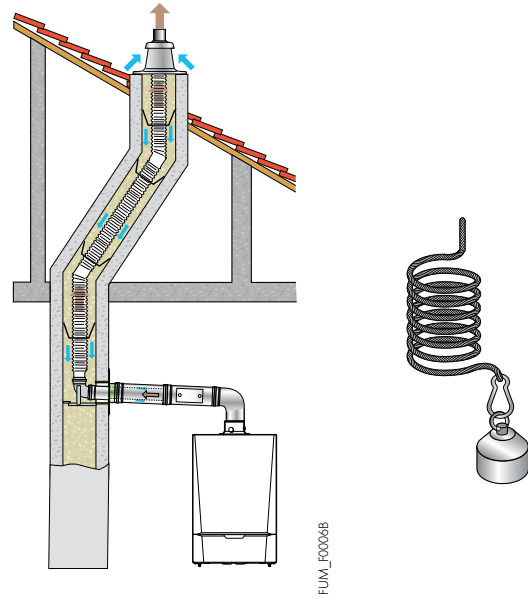
- PPS: Polypropylene
- colour: white
- appearance: flexible (flex PPS)

Concerns types **4** **6** and the "flex conduit" packages:
 DY 897 (Ø 80 mm, L 12.5 m), DY 896 (Ø 80, L 50 m),
 DY 889 (Ø 110 mm, L 15 m) and DY 890 (Ø 110 mm, L 25 m).

Assembly and commissioning must be done by a qualified professional who will take care of installation and connection according to the codes of practice and prevailing standards and regulations.

Important recommendations:

- The flexible conduit must be mounted in suspension. The hanging system is incorporated in the terminal
- Assembly starts at the top, using an insertion tool: package DY 901 (Ø 80 mm), or DY 894 (Ø 110 m)
- Do not use the flexible conduit for horizontal applications
- Have the shaft/chimney checked and/or cleaned by a company qualified in flue systems.



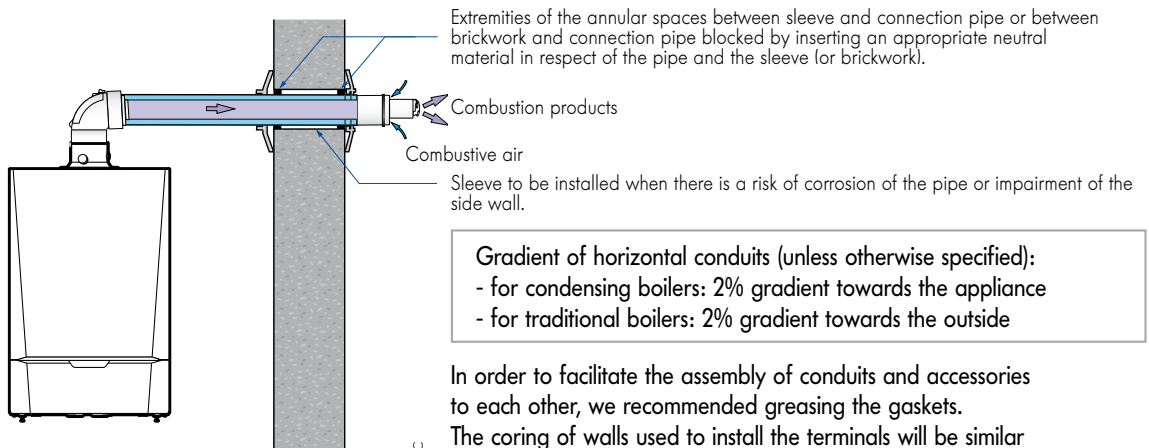
Assembly tips:

- The centring systems must be mounted on the flexible conduit at least every 2 m and before and after each straight inspection pipe.
- If the chimney sweep so requests, a straight inspection pipe can be fitted. This part is used to check and/or clean the flexible conduit from the inside. Follow the sign marked on the straight inspection pipe during assembly in order to prevent incorrect assembly which may lead to leakage

- The coupling parts are used to connect the lengths of flexible conduit to each other. Follow the direction of installation so that any condensation can be discharged at the bottom.
- The insertion tool is designed for easy, straightforward mounting of the flexible conduit. It can be used to pull the flexible conduit from the top and in the other direction.

PRACTICAL TIPS

Description	measurement to be applied	concerns
Wall bushing	in sleeve if direct contact	plaster/steel - plaster/aluminium - polystyrene/conduits
Annular space	blocked using neutral material	at the extremities, between sleeve and conduits or between wall and conduits
Bushing	not encased, engraved, coated, sealed or blocked	incorporation of conduits in structural components
Secured	using clamps close to and above the interlocking elements	securing conduits to structural components
Assembly	fittings mounted with the female components pointing upwards	parts of interlocking conduits (fitting or gasket ex floor bushing)
Tightness	done using mechanical means (excluding pastes, glues or adhesives)	assembly of conduits and detachable parts
Fire safety distance	none	N/A
Protection	against mechanical shock by cladding	concentric conduits passing through a habitable room other than the installation premises
Condensates	Condensates neutralisation	for outputs > 2000 kW unless a local Prefectoral Order is in place
Cutting conduits	clean, burred cut using appropriate tools	for straight lengths and horizontal terminals



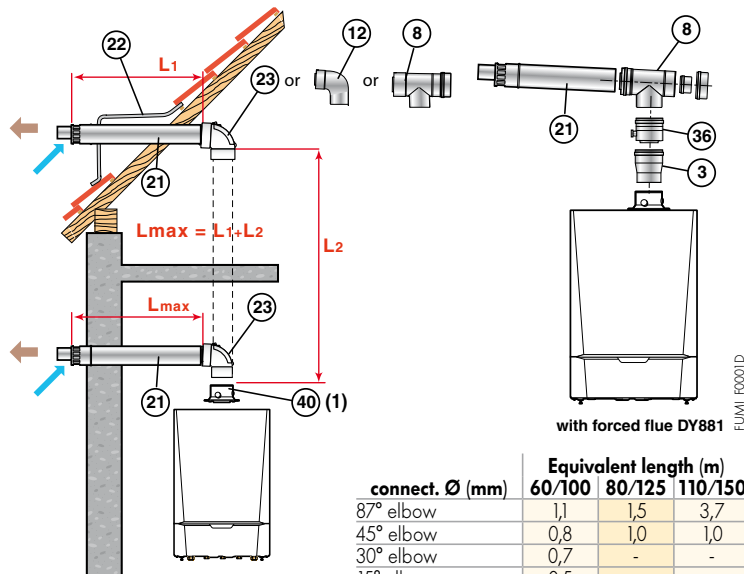
Gradient of horizontal conduits (unless otherwise specified):
 - for condensing boilers: 2% gradient towards the appliance
 - for traditional boilers: 2% gradient towards the outside

In order to facilitate the assembly of conduits and accessories to each other, we recommended greasing the gaskets. The coring of walls used to install the terminals will be similar to the minimum diameters of the latter.

The dimensions shown in this brochure are given in mm to an accuracy of + or - 5 mm and may be modified.

1 CONFIGURATION C_{13x} - CONCENTRIC HORIZONTAL FORCED FLUE ALU/PPS (CONNECTION TO AN EXTERNAL WALL OR A ROOF OUTLET)

MODULENS G®, TWINEO, ELIDENS DTG 130-45 TO 115, QUADRODENS, INNOVENS AND INNOVENS PRO MCA



Boiler shown: MCA connected to the horizontal forced flue Ø 80/125 mm (package DY 882) + Adapter Ø 80/125 mm (package HR 38)
(I) or location (3) where appropriate

connect. Ø (mm)	Equivalent length (m)		
	60/100	80/125	110/150
87° elbow	1,1	1,5	3,7
45° elbow	0,8	1,0	1,0
30° elbow	0,7	-	-
15° elbow	0,5	-	-
Straight inspection pipe	0,5	0,6	1,0
Inspection T	2,2	2,7	2,5
Inspection elbow	-	2,0	-
Condensates recup.	-	0,8	0,6

Boiler type	connect. Ø (mm)	Lmax (m)		
		60/100	80/125	110/150
QUADRODENS DUC 25-...	12	-	-	-
ELIDENS DTG 130-45 INNOVENS PRO MCA 45	-	-	16	-
ELIDENS DTG 130-65 INNOVENS PRO MCA 65	-	-	-	9
ELIDENS DTG 130-90 INNOVENS PRO MCA 90	-	-	-	8
ELIDENS DTG 130-115 INNOVENS PRO MCA 115	-	-	-	5,9
MODULENS G® AGC 10 INNOVENS MCA 10	4,1	8,0	-	-
MODULENS G® AGC 15 INNOVENS MCA 15	12	12,3	-	-
MODULENS G® AGC 25 TWINEO EGC 25 INNOVENS MCA 25	3,5	20	-	-
MODULENS G® AGC 35 INNOVENS MCA 35	3,5	17,6	-	-
INNOVENS MCA 25/28 MI	4,2	20	-	-
INNOVENS MCA 25/28 BIC	4,2	20	-	-

⇒ ALU/PPS flue systems accessories needed at the very least for connection to a horizontal forced flue:

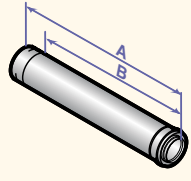
Description	Diagrams with Dimensions/References	Boiler type	ELIDENS DTG 130 45-115, INNOVENS PRO MCA 45 to 115			MODULENS G® AGC 10, 15, 25, 35, TWINEO EGC 25, INNOVENS MCA 10, 15, 25, 35, 25/28 MI, 25/28 BIC	
			25	45	65, 90, 115	60/100	80/125
			connect. Ø (mm)	60/100	80/125	110/150	60/100
Horizontal forced flue Ø 60/100 mm with inspection T and extension pipe L 0.5 m		DY 872 100008297	X (I)				
Horizontal forced flue Ø 80/125 mm with inspection elbow		DY 882 10001376		X			X
Horizontal forced flue Ø 110/150 mm with inspection T and adapter Ø 100/150 to 110/150 mm		DY 881 10001364			X		
Horizontal forced flue Ø 60/100 mm with inspection elbow		HR 48 100013756				X (I)	
Reduction elbow Ø 60/100 mm		JA 43 100018253				X (2)	
Condensates recuperator Ø 80/125 mm		DY 916 100018981		X			
Condensates recuperator Ø 110/150 mm		DY 918 100018984			X		
Adapter Ø 80/125 mm		HR 38 S 100465					X

(I) Accessories delivered as standard with boilers with corresponding horizontal forced flue

(2) When, for reasons of space, the horizontal forced flue with its elbow (package HR 48) cannot be installed, this elbow is mounted instead and in place of the fitting (Ø 60/100 mm) on the boiler and thus allows a height saving of 70 mm.

⇒ Other Alu/PPS flue systems accessories available:

Concentric extension ⑪



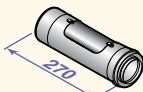
Ø 60/100 mm	L (mm)	Ref.
DY 681	500	84887681
DY 682	1000	84887682
DY 683	1950	84887683

Ø 80/125 mm	L (mm)	Ref.
DY 126	250	84887526
DY 127	500	84887527
DY 128	1000	84887528
DY 129	1950	84887529

Ø 110/150 mm	L (mm)	Ref.
DY 811	500	100002351
DY 812	1000	100002352

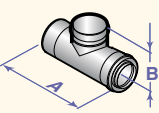
	A	B
DY 126	250	200
DY 681, DY 127	500	450
DY 682, DY 128	1000	950
DY 683, DY 129	1950	1900

Concentric straight inspection pipe ⑦



Ø 80/125 mm	Ref.
DY 124	84887524

Concentric inspection sleeve ⑦

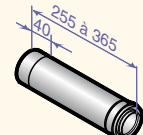


Ø 60/100 mm	Ref.
DY 689	84887689

Ø 110/150 mm	Ref.
DY 815	100002355

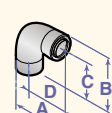
	A	B
DY 689	250	100
DY 815	270	140

Concentric compensation sleeve ⑰



DY 688	Ø 60/100 mm	84887688
DY 130	Ø 80/125 mm	84887530

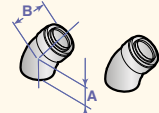
Concentric elbow at 87° ⑫



Ø 60/100 mm	Angle	Ref.
DY 684	87°	84887684
DY 685	45° (2-pces)	84887685
DY 686	30° (2-pces)	84887686
DY 687	15° (2-pces)	84887687

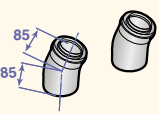
	A	B	C	D
DY 684	170	162	110	120
DY 131	193	185	120	130
DY 813	239	241	165	164

at 45°

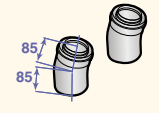


	A	B
DY 685	70	80
DY 132	90	90
DY 814	110	110

at 30°



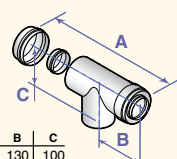
at 15°



Ø 80/125 mm	Angle	Ref.
DY 131	87°	84887531
DY 132	45° (2-pces)	84887532

Ø 110/150 mm	Angle	Ref.
DY 813	87°	100002353
DY 814	45° (2-pces)	100002354

Concentric inspection T ⑧



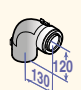
	A	B	C
DY 737	250	130	100
DY 125	270	140	120
DY 816	270	120	140

Ø 60/100 mm	Ref.
DY 737	84887737

Ø 80/125 mm	Ref.
DY 125	84887525

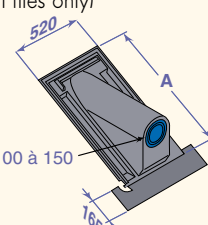
Ø 110/150 mm	Ref.
DY 816	100002356

Concentric inspection elbow ⑳



Ø 80/125 mm	Ref.
DY 875	100008311

Roof outlet (for mechanical tiles only) ㉒

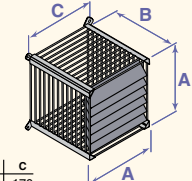


	A
CX 49	700
DY 11	880

Roof with slope of 30 to 45°	Ref.
DY 11	84887411

Roof with slope of 40 to 55°	Ref.
CX 49	84837729

Stainless steel protection basket ㉓



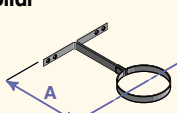
	A	B	C
DY 166	154	228	170
DY 865	229	260	237
DY 866	254	268	270

for Ø 60/100 mm	Ref.
DY 166	84887566

for Ø 80/125 mm	Ref.
DY 865	100005002

for Ø 110/150 mm	Ref.
DY 866	100005004

Fastening collar ㉔

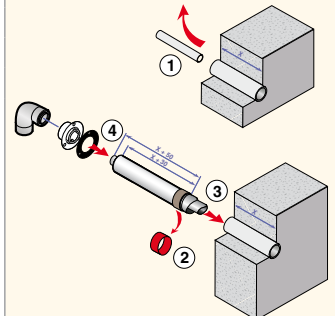


	A
CX 118	125
CX 79	232

Ø 125 mm	Ref.
CX 118 (short lug)	84837718
CX 79 (long lug)	84837779

Ø 150 mm	Ref.
CX 111	84827111

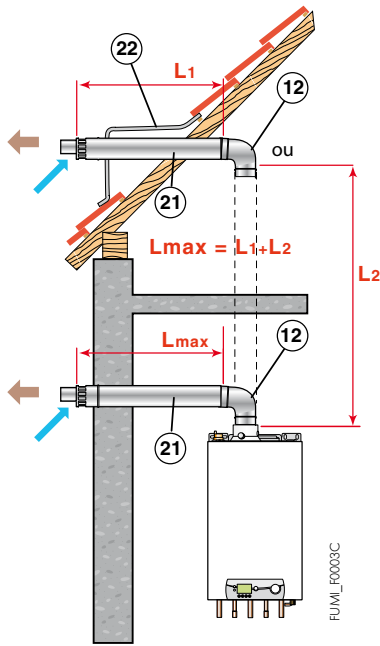
Horizontal forced flue "Retrofit"



Ø 60/95 mm	Ref.
DY 912	100017526

1 CONFIGURATION C₁₃x - CONCENTRIC HORIZONTAL FORCED FLUE ALU/PPS (CONNECTION TO AN EXTERNAL WALL OR A ROOF OUTLET)

VIVADENS



Boiler shown: MCR connected to the horizontal forced flue Ø 60/100 mm (package DY 871)

connect. Ø (mm)	Equivalent length (m) 60/100
87° elbow	1,1
45° elbow	0,8
30° elbow	0,7
15° elbow	0,5
Straight inspection pipe	0,5
Inspection T	2,2

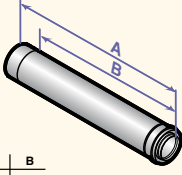
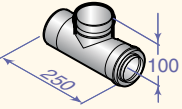
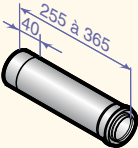
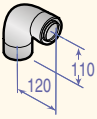
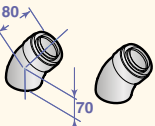
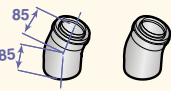
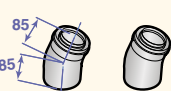
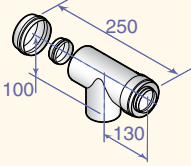
Boiler type	connect. Ø (mm)	
	60/100	Lmax (m)
VIVADENS MCR 24	6	
VIVADENS MCR 24/28 MI, VIVADENS 24/28 BIC	7	
VIVADENS MCR 30/35 MI	4	
VIVADENS MCR 34/39 MI	6	

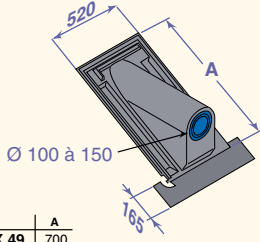
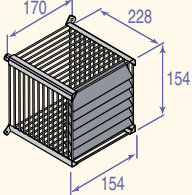
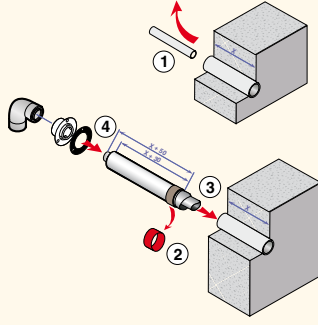
⇒ Alu/PPS flue systems accessories needed at the very least for connection to a horizontal forced flue:

Where used	Description	Diagrams with Dimensions/References	Boiler type	VIVADENS
			connect. Ø (mm)	60/100
			Package/Ref.	
In new installations or to replace an existing boiler type..... without take up of the forced flue outlet	Chafoteaux Nectra, Elexia, Centora, Nexia, Primaxia, Hyxia, Calydra, Celtic, Saunier Duval SD 623, Thelia 623, SD 625, ELM GVM 7.20, GVM C23, GVM 5 HP		DY 871 100008297	X (I)
To replace an existing boiler type..... with take-up of the forced flue outlet	Chafoteaux Nectra, Elexia, Centora, Nexia, Primaxia, Hyxia, Calydra Celtic, Saunier Duval SD 623, Thelia 623, ELM GVM 7.20		DY 885 100011888	X
	Saunier Duval SD 625		DY 886 100013303	X

(I) Accessory delivered as standard with VIVADENS boilers with horizontal forced flue

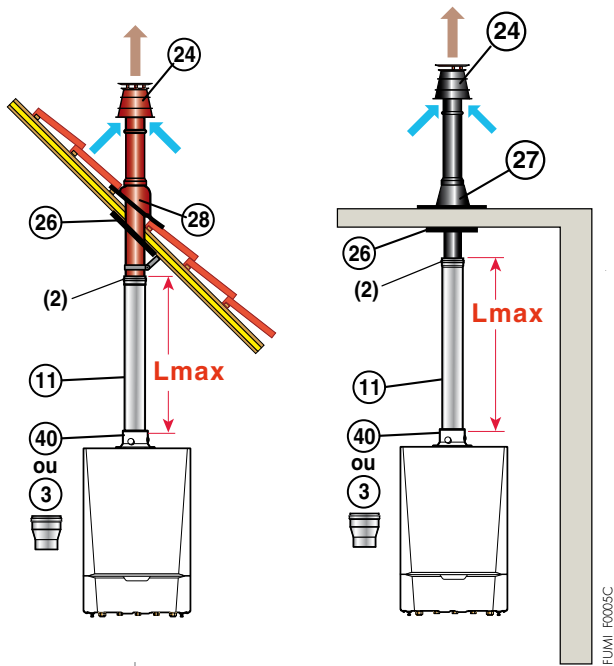
⇒ Other Alu/PPS concentric flue systems accessories available:

<p>Concentric extension ⑪</p>  <table border="1" data-bbox="156 481 300 571"> <thead> <tr> <th></th> <th>A</th> <th>B</th> </tr> </thead> <tbody> <tr> <td>DY 681</td> <td>500</td> <td>450</td> </tr> <tr> <td>DY 682</td> <td>1000</td> <td>950</td> </tr> <tr> <td>DY 683</td> <td>1950</td> <td>1900</td> </tr> </tbody> </table>		A	B	DY 681	500	450	DY 682	1000	950	DY 683	1950	1900	<table border="1"> <thead> <tr> <th>Ø 60/100 mm</th> <th>L (mm)</th> <th>Ref.</th> </tr> </thead> <tbody> <tr> <td>DY 681</td> <td>500</td> <td>84887681</td> </tr> <tr> <td>DY 682</td> <td>1000</td> <td>84887682</td> </tr> <tr> <td>DY 683</td> <td>1950</td> <td>84887683</td> </tr> </tbody> </table>	Ø 60/100 mm	L (mm)	Ref.	DY 681	500	84887681	DY 682	1000	84887682	DY 683	1950	84887683
	A	B																							
DY 681	500	450																							
DY 682	1000	950																							
DY 683	1950	1900																							
Ø 60/100 mm	L (mm)	Ref.																							
DY 681	500	84887681																							
DY 682	1000	84887682																							
DY 683	1950	84887683																							
<p>Concentric inspection sleeve ⑦</p> 	<table border="1"> <thead> <tr> <th>Ø 60/100 mm</th> <th>Ref.</th> </tr> </thead> <tbody> <tr> <td>DY 689</td> <td>84887689</td> </tr> </tbody> </table>	Ø 60/100 mm	Ref.	DY 689	84887689																				
Ø 60/100 mm	Ref.																								
DY 689	84887689																								
<p>Concentric compensation sleeve ⑰</p> 	<table border="1"> <thead> <tr> <th>Ø 60/100 mm</th> <th>Ref.</th> </tr> </thead> <tbody> <tr> <td>DY 688</td> <td>84887688</td> </tr> </tbody> </table>	Ø 60/100 mm	Ref.	DY 688	84887688																				
Ø 60/100 mm	Ref.																								
DY 688	84887688																								
<p>Concentric elbow at 87° ⑫</p>  <p>at 45°</p>  <p>at 30°</p>  <p>at 15°</p> 	<table border="1"> <thead> <tr> <th>Ø 60/100 mm</th> <th>Angle</th> <th>Ref.</th> </tr> </thead> <tbody> <tr> <td>DY 684</td> <td>87°</td> <td>84887684</td> </tr> <tr> <td>DY 685</td> <td>45° (2-pieces)</td> <td>84887685</td> </tr> <tr> <td>DY 686</td> <td>30° (2-pieces)</td> <td>84887686</td> </tr> <tr> <td>DY 687</td> <td>15° (2-pieces)</td> <td>84887687</td> </tr> </tbody> </table>	Ø 60/100 mm	Angle	Ref.	DY 684	87°	84887684	DY 685	45° (2-pieces)	84887685	DY 686	30° (2-pieces)	84887686	DY 687	15° (2-pieces)	84887687									
Ø 60/100 mm	Angle	Ref.																							
DY 684	87°	84887684																							
DY 685	45° (2-pieces)	84887685																							
DY 686	30° (2-pieces)	84887686																							
DY 687	15° (2-pieces)	84887687																							
<p>Concentric inspection T ⑧</p> 	<table border="1"> <thead> <tr> <th>Ø 60/100 mm</th> <th>Ref.</th> </tr> </thead> <tbody> <tr> <td>DY 737</td> <td>84887737</td> </tr> </tbody> </table>	Ø 60/100 mm	Ref.	DY 737	84887737																				
Ø 60/100 mm	Ref.																								
DY 737	84887737																								

<p>Roof outlet (for mechanical tiles only) ⑫②</p>  <table border="1" data-bbox="842 542 944 609"> <thead> <tr> <th></th> <th>A</th> </tr> </thead> <tbody> <tr> <td>CX 49</td> <td>700</td> </tr> <tr> <td>DY 11</td> <td>880</td> </tr> </tbody> </table>		A	CX 49	700	DY 11	880	<table border="1"> <thead> <tr> <th>Roof with slope of 30 to 45°</th> <th>Ref.</th> </tr> </thead> <tbody> <tr> <td>DY 11</td> <td>84887411</td> </tr> <tr> <th>Roof with slope of 40 to 55°</th> <th>Ref.</th> </tr> <tr> <td>CX 49</td> <td>84837729</td> </tr> </tbody> </table>	Roof with slope of 30 to 45°	Ref.	DY 11	84887411	Roof with slope of 40 to 55°	Ref.	CX 49	84837729
	A														
CX 49	700														
DY 11	880														
Roof with slope of 30 to 45°	Ref.														
DY 11	84887411														
Roof with slope of 40 to 55°	Ref.														
CX 49	84837729														
<p>Stainless steel protection basket ⑫⑤</p> 	<table border="1"> <thead> <tr> <th>for Ø 60/100 mm</th> <th>Ref.</th> </tr> </thead> <tbody> <tr> <td>DY 166</td> <td>84887566</td> </tr> </tbody> </table>	for Ø 60/100 mm	Ref.	DY 166	84887566										
for Ø 60/100 mm	Ref.														
DY 166	84887566														
<p>Horizontal forced flue "Retrofit"</p>  <p>FUMI_F0081C</p>	<table border="1"> <thead> <tr> <th>Ø 60/95 mm</th> <th>Ref.</th> </tr> </thead> <tbody> <tr> <td>DY 912</td> <td>100017526</td> </tr> </tbody> </table>	Ø 60/95 mm	Ref.	DY 912	100017526										
Ø 60/95 mm	Ref.														
DY 912	100017526														

2 CONFIGURATION C₃₃x - CONCENTRIC VERTICAL FORCED FLUE ALU/PPS (CONNECTION TO SLOPING ROOF OR FLAT ROOF)

MODULENS G®, TWINEO, VIVADENS, INNOVENS MCA, QUADRODENS



connect. Ø	Equivalent length (m)	
	60/100	80/125
87° elbow	1,1	1,5
45° elbow	0,8	1,0
30° elbow	0,7	-
15° elbow	0,5	-
Straight inspection pipe	0,5	0,6
Inspection T	2,2	2,7
Inspection elbow	-	2,0
Condensates recup.	-	0,8

Boiler shown: MCA connected to the vertical forced flue Ø 80/125 mm (package DY 843) + Adapter Ø 80/125 mm (package HR 38)

Boiler type	connect. Ø (mm)	Lmax (m)	
		60/100	80/125
QUADRODENS DUC 25-...		11,5	10
MODULENS G® AGC 10 INNOVENS MCA 10		5,9	6,8
MODULENS G® AGC 15 INNOVENS MCA 15		13	10,7
MODULENS G® AGC 25 TWINEO EGC 25 INNOVENS MCA 25		4,9	20
MODULENS G® AGC 35 INNOVENS MCA 35		-	19
INNOVENS MCA 25/28 MI		5,5	20
INNOVENS MCA 25/28 BIC		5,5	20
VIVADENS MCR 24		-	20
VIVADENS MCR 24/28 MI VIVADENS MCR 24/28 BIC		-	20
VIVADENS MCR 30/35 MI		-	20
VIVADENS MCR 34/39 MI		-	20

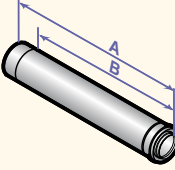
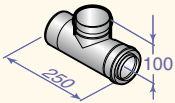
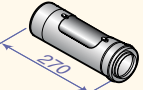
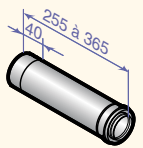
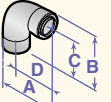
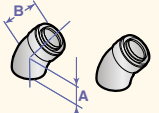
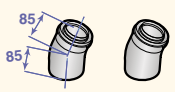
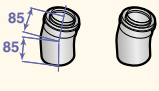
⇒ Alu/PPS flue systems accessories needed at the very least for connection to a vertical forced flue

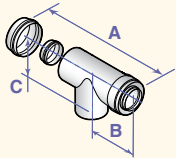
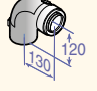
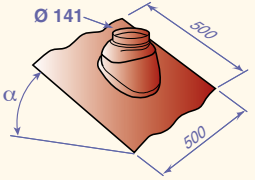
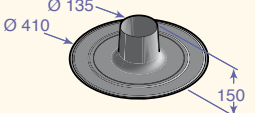
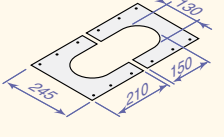
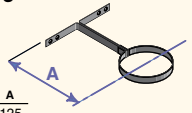
Description	Diagrams with Dimensions/References	Boiler type	QUADRODENS DUC 25	MODULENS G® AGC 10, 15, 25, 35, TWINEO EGC 25, INNOVENS MCA 10, 15, 25, 35, 25/28 MI, 25/28 BIC	VIVADENS	
		connect. Ø (mm)	60/100 (2) or 80/125	60/100 (2)	80/125	80/125
		Package/Ref.				
Vertical forced flue Ø 80/125 mm (black or red)	(24)	DY 843 100002732 (black) or DY 844 100002733 (red)	X (1)	X (1)	X (1)	X (1)
Adapter Ø 80/125 mm to 60/100 mm	(3)	DY 708 84887708	X (1) (2)	X (2)		
Adapter Ø 80/125 mm (replaces the adapter Ø 60/100 mm fitted as standard)	(40)	HR 38 S100465			X (1)	X (1)

(1) Accessories delivered as standard with boilers with corresponding horizontal forced flue.

(2) To connect these boilers with Ø 60/100 mm, the adapter (3) (DY 708) should be placed directly at the base of the vertical forced flue.

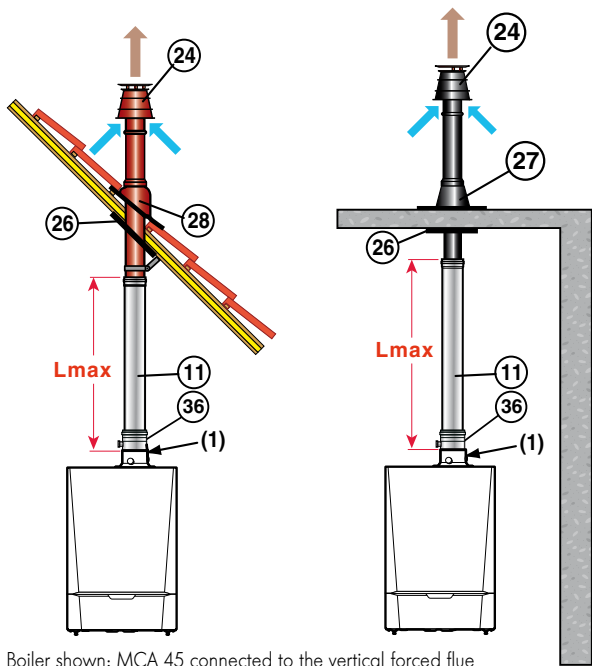
⇒ Other Alu/PPS flue systems accessories available:

Concentric extension ⑪ 	Ø 60/100 mm L (mm) Ref. DY 681 500 84887681 DY 682 1000 84887682 DY 683 1950 84887683															
	Ø 80/125 mm L (mm) Ref. DY 126 250 84887526 DY 127 500 84887527 DY 128 1000 84887528 DY 129 1950 84887529															
<table border="1"> <thead> <tr> <th></th> <th>A</th> <th>B</th> </tr> </thead> <tbody> <tr> <td>DY 126</td> <td>250</td> <td>200</td> </tr> <tr> <td>DY 681, DY 127</td> <td>500</td> <td>450</td> </tr> <tr> <td>DY 682, DY 128</td> <td>1000</td> <td>950</td> </tr> <tr> <td>DY 683</td> <td>1950</td> <td>1900</td> </tr> </tbody> </table>		A	B	DY 126	250	200	DY 681, DY 127	500	450	DY 682, DY 128	1000	950	DY 683	1950	1900	
	A	B														
DY 126	250	200														
DY 681, DY 127	500	450														
DY 682, DY 128	1000	950														
DY 683	1950	1900														
Concentric inspection sleeve ⑦ 	Ø 60/100 mm Ref. DY 689 84887689															
Concentric straight inspection pipe ⑦ 	Ø 80/125 mm Ref. DY 124 84887524															
Concentric compensation sleeve ⑰ 	Ø 60/100 mm Ref. DY 688 84887688 Ø 80/125 mm Ref. DY 130 84887530															
Concentric elbow at 87° ⑫ 	Ø 60/100 mm Angle Ref. DY 684 87° 84887684 DY 685 45° (2-pieces) 84887685 DY 686 30° (2-pieces) 84887686 DY 687 15° (2-pieces) 84887687															
<table border="1"> <thead> <tr> <th></th> <th>A</th> <th>B</th> <th>C</th> <th>D</th> </tr> </thead> <tbody> <tr> <td>DY 684</td> <td>170</td> <td>162</td> <td>110</td> <td>120</td> </tr> <tr> <td>DY 131</td> <td>193</td> <td>185</td> <td>120</td> <td>130</td> </tr> </tbody> </table>		A	B	C	D	DY 684	170	162	110	120	DY 131	193	185	120	130	
	A	B	C	D												
DY 684	170	162	110	120												
DY 131	193	185	120	130												
at 45° 	Ø 80/125 mm Angle Ref. DY 131 87° 84887531 DY 132 45° (2-pieces) 84887532															
<table border="1"> <thead> <tr> <th></th> <th>A</th> <th>B</th> </tr> </thead> <tbody> <tr> <td>DY 685</td> <td>70</td> <td>80</td> </tr> <tr> <td>DY 132</td> <td>90</td> <td>90</td> </tr> </tbody> </table>		A	B	DY 685	70	80	DY 132	90	90							
	A	B														
DY 685	70	80														
DY 132	90	90														
at 30° 																
at 15° 																

Concentric inspection T ⑧ 	Ø 60/100 mm Ref. DY 737 84887737																					
	Ø 80/125 mm Ref. DY 125 84887525																					
<table border="1"> <thead> <tr> <th></th> <th>A</th> <th>B</th> <th>C</th> </tr> </thead> <tbody> <tr> <td>DY 737</td> <td>250</td> <td>130</td> <td>100</td> </tr> <tr> <td>DY 125</td> <td>270</td> <td>140</td> <td>120</td> </tr> </tbody> </table>		A	B	C	DY 737	250	130	100	DY 125	270	140	120										
	A	B	C																			
DY 737	250	130	100																			
DY 125	270	140	120																			
Concentric inspection elbow ⑳ 	Ø 80/125 mm Ref. DY 875 100008311																					
Flue tile ㉘ 	<table border="1"> <thead> <tr> <th>for Ø 80/125 mm</th> <th>Slope/Col.</th> <th>Ref.</th> </tr> </thead> <tbody> <tr> <td>CX 121</td> <td>5 to 25° black</td> <td>84837121</td> </tr> <tr> <td>CX 120</td> <td>5 to 25° red</td> <td>84837120</td> </tr> <tr> <td>CX 52</td> <td>25 to 45° black</td> <td>84837732</td> </tr> <tr> <td>CX 83</td> <td>25 to 45° red</td> <td>84837783</td> </tr> <tr> <td>CX 63</td> <td>35 to 55° black</td> <td>84837734</td> </tr> <tr> <td>CX 84</td> <td>35 to 55° red</td> <td>84837784</td> </tr> </tbody> </table>	for Ø 80/125 mm	Slope/Col.	Ref.	CX 121	5 to 25° black	84837121	CX 120	5 to 25° red	84837120	CX 52	25 to 45° black	84837732	CX 83	25 to 45° red	84837783	CX 63	35 to 55° black	84837734	CX 84	35 to 55° red	84837784
for Ø 80/125 mm	Slope/Col.	Ref.																				
CX 121	5 to 25° black	84837121																				
CX 120	5 to 25° red	84837120																				
CX 52	25 to 45° black	84837732																				
CX 83	25 to 45° red	84837783																				
CX 63	35 to 55° black	84837734																				
CX 84	35 to 55° red	84837784																				
Water tightness bed plate for flat roof ㉚ 	for Ø 80/125 mm Ref. CX 51 84837731																					
Internal finishing plate ㉛ 	for Ø 80/125 mm Ref. CX 72 84837741																					
Fastening collar ㉜ 	Ø 125 mm Ref. CX 118 (short lug) 84837118 CX 79 (long lug) 84837779																					
<table border="1"> <thead> <tr> <th></th> <th>A</th> </tr> </thead> <tbody> <tr> <td>CX 118</td> <td>125</td> </tr> <tr> <td>CX 79</td> <td>232</td> </tr> </tbody> </table>		A	CX 118	125	CX 79	232																
	A																					
CX 118	125																					
CX 79	232																					

2 CONFIGURATION C_{33x} - CONCENTRIC VERTICAL FORCED FLUE ALU/PPS (CONNECTION TO SLOPING ROOF OR FLAT ROOF)

ELIDENS DTG 130-45 TO 115, INNOVENS PRO MCA



Boiler shown: MCA 45 connected to the vertical forced flue
Ø 80/125 mm (package DY 843/844)

(1) Location (3) (DY 817)
where appropriate

Boiler type	connect. Ø (mm)		Lmax (m)	
	80/125	110/150	80/125	110/150
ELIDENS DTG 130-45 INNOVENS PRO MCA 45	14,5	-		
ELIDENS DTG 130-65 INNOVENS PRO MCA 65	-	11,5		
ELIDENS DTG 130-90 INNOVENS PRO MCA 90	-	10		
ELIDENS DTG 130-115 INNOVENS PRO MCA 115	-	9,4		

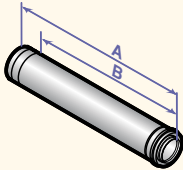
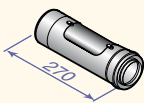
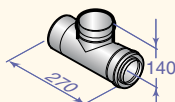
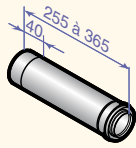
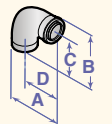
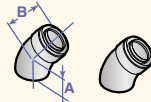
connect. Ø (mm)	Equivalent length (m)	
	80/125	110/150
87° elbow	1,5	3,7
45° elbow	1,0	1,0
30° elbow	-	-
15° elbow	-	-
Staight inspection pipe	0,6	1,0
Inspection T	2,7	2,5
Inspection elbow	2,0	-
Condensates recup.	0,8	0,6

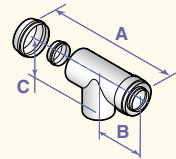

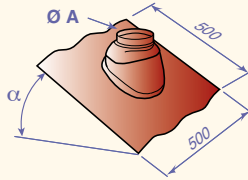
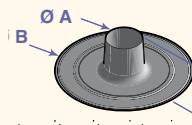
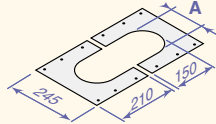
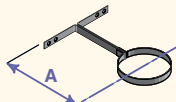
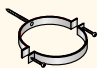
⇒ Alu/PPS flue systems accessories needed at the very least for connection to a vertical forced flue:

Description	Diagrams with Dimensions/References	Boiler type	ELIDENS DTG 130..., INNOVENS PRO MCA		
			45	65, 90, 115	
			connect. Ø (mm)	80/125	110/150
Vertical forced flue Ø 80/125 mm black or red		(24) DY 843 100002732 (black) or DY 844 100002733 (red)	X		
Vertical forced flue Ø 110/150 mm black			(24) DY 845 100002734 (black)		X
Condensates recuperator Ø 80/125 mm		(36)	DY 916 100018981	X	
Condensates recuperator Ø 110/150 mm		(36)	DY 918 100018984		X
Adapter Ø 110/150 to 100/150 mm		(3)	DY 817 100002357		X

FUMIL_F0007D

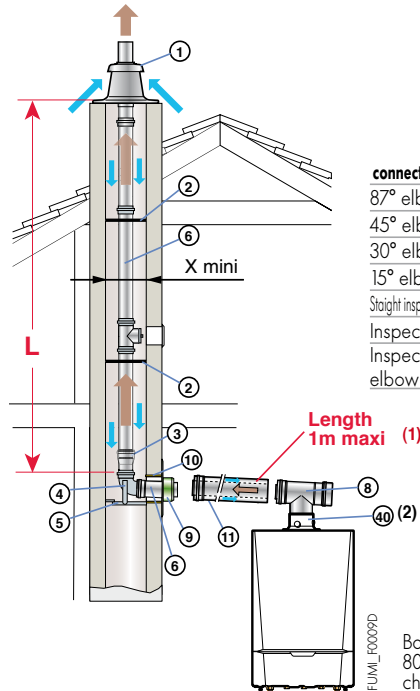
⇒ Other Alu/PPS flue systems accessories available:

Concentric extension 	11	\varnothing 80/125 mm L (mm) Ref. DY 126 250 84887526 DY 127 500 84887527 DY 128 1000 84887528 DY 129 1950 84887529															
		\varnothing 110/150 mm L (mm) Ref. DY 811 500 100002351 DY 812 1000 100002352															
<table border="1"> <thead> <tr> <th></th> <th>A</th> <th>B</th> </tr> </thead> <tbody> <tr> <td>DY 126</td> <td>250</td> <td>200</td> </tr> <tr> <td>DY 811, DY 127</td> <td>500</td> <td>450</td> </tr> <tr> <td>DY 812, DY 128</td> <td>1000</td> <td>950</td> </tr> <tr> <td>DY 129</td> <td>1950</td> <td>1900</td> </tr> </tbody> </table>		A	B	DY 126	250	200	DY 811, DY 127	500	450	DY 812, DY 128	1000	950	DY 129	1950	1900		
	A	B															
DY 126	250	200															
DY 811, DY 127	500	450															
DY 812, DY 128	1000	950															
DY 129	1950	1900															
Concentric straight inspection pipe 	7	\varnothing 80/125 mm Ref. DY 124 84887524															
Concentric inspection sleeve 	7	\varnothing 110/150 mm Ref. DY 815 100002355															
Concentric compensation sleeve 	17	\varnothing 80/125 mm Ref. DY 130 84887530															
Concentric elbow at 87° 	12	\varnothing 80/125 mm Angle Ref. DY 131 87° 84887531 DY 132 45° (2-pieces) 84887532															
		\varnothing 110/150 mm Angle Ref. DY 813 87° 100002353 DY 814 45° (2-pieces) 100002354															
at 45° 		<table border="1"> <thead> <tr> <th></th> <th>A</th> <th>B</th> </tr> </thead> <tbody> <tr> <td>DY 814</td> <td>110</td> <td>110</td> </tr> <tr> <td>DY 132</td> <td>90</td> <td>90</td> </tr> </tbody> </table>		A	B	DY 814	110	110	DY 132	90	90						
	A	B															
DY 814	110	110															
DY 132	90	90															

Concentric inspection T 	8	\varnothing 80/125 mm Ref. DY 125 84887525												
		\varnothing 110/150 mm Ref. DY 816 \varnothing 110/150 mm 100002356												
<table border="1"> <thead> <tr> <th></th> <th>A</th> <th>B</th> <th>C</th> </tr> </thead> <tbody> <tr> <td>DY 816</td> <td>250</td> <td>120</td> <td>140</td> </tr> <tr> <td>DY 125</td> <td>270</td> <td>140</td> <td>120</td> </tr> </tbody> </table>		A	B	C	DY 816	250	120	140	DY 125	270	140	120		
	A	B	C											
DY 816	250	120	140											
DY 125	270	140	120											
Concentric inspection elbow 	23	\varnothing 80/125 mm Ref. DY 875 100008311												
Flue tile 	28	for \varnothing 80/125 mm Slope/Col. Ref. CX 121 5 to 25° black 84837121 CX 120 5 to 25° red 84837120 CX 52 25 to 45° black 84837732 CX 83 25 to 45° red 84837783 CX 63 35 to 55° black 84837734 CX 84 35 to 55° red 84837784												
		for \varnothing 100/150 mm Slope/Col. Ref. CX 104 25 to 45° black 84827104 CX 106 25 to 45° red 84827106												
<table border="1"> <thead> <tr> <th></th> <th>A</th> </tr> </thead> <tbody> <tr> <td>CX 104, CX 106</td> <td>172</td> </tr> <tr> <td>CX 121, 120, 52, 83, 63, 84</td> <td>141</td> </tr> </tbody> </table>		A	CX 104, CX 106	172	CX 121, 120, 52, 83, 63, 84	141								
	A													
CX 104, CX 106	172													
CX 121, 120, 52, 83, 63, 84	141													
Water tightness bed plate for flat roof 	27	for \varnothing 80/125 mm Ref. CX 51 84837731												
<table border="1"> <thead> <tr> <th></th> <th>A</th> <th>B</th> <th>C</th> </tr> </thead> <tbody> <tr> <td>CX 103</td> <td>170</td> <td>474</td> <td>100</td> </tr> <tr> <td>CX 51</td> <td>135</td> <td>410</td> <td>150</td> </tr> </tbody> </table>		A	B	C	CX 103	170	474	100	CX 51	135	410	150		for \varnothing 100/150 mm Ref. CX 103 84827103
	A	B	C											
CX 103	170	474	100											
CX 51	135	410	150											
Internal finishing plate 	26	for \varnothing 80/125 mm Ref. CX 72 84837741												
<table border="1"> <thead> <tr> <th></th> <th>A</th> </tr> </thead> <tbody> <tr> <td>CX 72</td> <td>130</td> </tr> <tr> <td>CX 115</td> <td>150</td> </tr> </tbody> </table>		A	CX 72	130	CX 115	150		for \varnothing 100/150 mm Ref. CX 115 84827115						
	A													
CX 72	130													
CX 115	150													
Fastening collar 	29	\varnothing 125 mm Ref. CX 118 short lug 84837118 CX 79 long lug 84837779												
		\varnothing 150 mm Ref. CX 111 84827111												
<table border="1"> <thead> <tr> <th></th> <th>A</th> </tr> </thead> <tbody> <tr> <td>CX 118</td> <td>125</td> </tr> <tr> <td>CX 79</td> <td>232</td> </tr> </tbody> </table>		A	CX 118	125	CX 79	232								
	A													
CX 118	125													
CX 79	232													

CONFIGURATION C_{93x} - CONCENTRIC ALU/PPS PIPES (COMBUSTIVE AIR IN COUNTER-CURRENT)

VIVADENS, QUADRODENS, MODULENS G®, TWINEO, INNOVENS MCA



connect. Ø (mm)	Equivalent length (m)			
	60/100	80/125	60	80
87° elbow	1,1	1,5	1,1	1,9
45° elbow	0,8	1,0	0,6	1,2
30° elbow	0,7	-	0,9	0,4
15° elbow	0,5	-	0,6	0,2
Straight inspection pipe	0,5	0,6	0,3	0,3
Inspection T	2,2	2,7	2,9	4,2
Inspection elbow	-	2,0	-	0,7

(1) For each additional metre of horizontal conduit, remove 1.2 m from the vertical length L_{max} given in the table opposite.
(2) Or location (3) where appropriate

Boiler shown: MCA 35 connected with Ø 80/125 mm in boiler room and Ø 80 mm to chimney

Boiler type	connect. Ø (mm) - in boiler room - to chimney	L _{max} (m)			
		60/100	80	80/125	
QUADRODENS DUC 25-...		13	20	-	
MODULENS G® AGC 10 INNOVENS MCA 10		8,5	5,8	-	
MODULENS G® AGC 15 INNOVENS MCA 15		15	9,9	-	
MODULENS G® AGC 25 TWINEO EGC 25 INNOVENS MCA 25		8,1	20	-	
MODULENS G® AGC 35 INNOVENS MCA 35		2,8	18	20	
INNOVENS MCA 25/28 MI		9	20	-	
INNOVENS MCA 25/28 BIC		9	20	-	
VIVADENS MCR 24		-	18	-	
VIVADENS MCR 24/28 MI VIVADENS MCR 24/28 BIC		-	20	-	
VIVADENS MCR 30/35 MI		-	10	20	
VIVADENS MCR 34/39 MI		-	12	20	
	x min	□ (mm)	120	140	140
		Ø (mm)	140	160	160

⇒ Alu/PPS or PPS flue systems accessories needed at the very least for air/flue gas connections using rigid pipes in an existing chimney flue:

Description	Diagrams with Dimensions/References	Boil. type/ connect. (mm) - in boiler room - in chimney Package/Ref.	MODULENS G® AGC 10, 15, 25, 35, TWINEO EGC 25, QUADRODENS DUC 25, INNOVENS MCA 10, 15, 25, 25/28 MI, 25/28 BIC		INNOVENS MCA 35		VIVADENS MCR 24, 24/28 MI 24/28 BIC	VIVADENS MCR 30/35 MI, MCR 34/39 MI	
			60/100	60/100	60/100	60/100	80/125	60/100	60/100
Boiler connection kit Ø 60/100 mm		DY 702 84887702	X	X	X	X		X	X
Boiler connection kit Ø 80/125 mm		DY 716 84887716					X		X
Chimney connection kit Ø 60 mm		DY 700 84887700	X		X				
Chimney connection kit Ø 80 mm with adapter Ø 60 to 80 mm		DY 701 84887701		X		X	X	X	
Chimney connection kit Ø 80 mm		DY 717 84887717					X		X
Adapter Ø 80/125 mm		HR 38 S100465					X		X

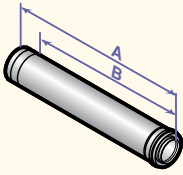
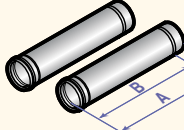
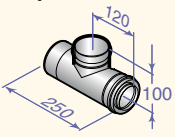
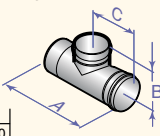
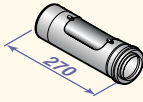
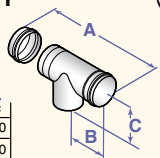
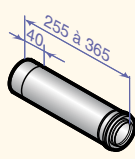
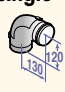

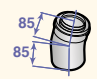
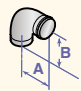
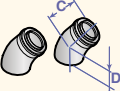
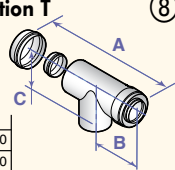
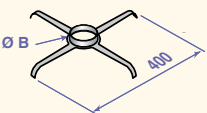

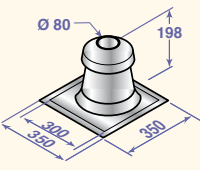

	A	B	C	D	E
DY 702	250	120	100	115	100
DY 716	270	130	120	140	125

	A	B	C	D	E
DY 700	60	60	110	120	180
DY 701	60	80	110	120	180
DY 717	80	125	120	130	210

* Only for DY 701

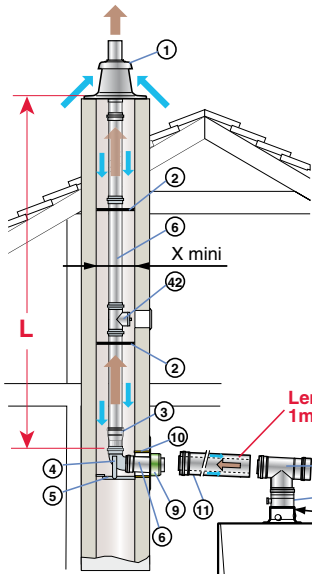
IN BOILER ROOM, SINGLE "RIGID" PPS PIPES IN CHIMNEY

⇒ Other Alu/PPS and single PPS flue systems accessories available:

<p>Concentric extension ⑪</p>  <table border="1" data-bbox="159 548 399 649"> <thead> <tr> <th></th> <th>A</th> <th>B</th> </tr> </thead> <tbody> <tr> <td>DY 126</td> <td>250</td> <td>200</td> </tr> <tr> <td>DY 681, DY 127</td> <td>500</td> <td>450</td> </tr> <tr> <td>DY 682, DY 128</td> <td>1000</td> <td>950</td> </tr> <tr> <td>DY 683, DY 129</td> <td>1950</td> <td>1900</td> </tr> </tbody> </table>		A	B	DY 126	250	200	DY 681, DY 127	500	450	DY 682, DY 128	1000	950	DY 683, DY 129	1950	1900	<table border="1"> <thead> <tr> <th>Ø 60/100 mm</th> <th>L (mm)</th> <th>Ref.</th> </tr> </thead> <tbody> <tr> <td>DY 681</td> <td>500</td> <td>84887681</td> </tr> <tr> <td>DY 682</td> <td>1000</td> <td>84887682</td> </tr> <tr> <td>DY 683</td> <td>1950</td> <td>84887683</td> </tr> </tbody> </table> <table border="1"> <thead> <tr> <th>Ø 80/125 mm</th> <th>L (mm)</th> <th>Ref.</th> </tr> </thead> <tbody> <tr> <td>DY 126</td> <td>250</td> <td>84887526</td> </tr> <tr> <td>DY 127</td> <td>500</td> <td>84887527</td> </tr> <tr> <td>DY 128</td> <td>1000</td> <td>84887528</td> </tr> <tr> <td>DY 129</td> <td>1950</td> <td>84887529</td> </tr> </tbody> </table>	Ø 60/100 mm	L (mm)	Ref.	DY 681	500	84887681	DY 682	1000	84887682	DY 683	1950	84887683	Ø 80/125 mm	L (mm)	Ref.	DY 126	250	84887526	DY 127	500	84887527	DY 128	1000	84887528	DY 129	1950	84887529	<p>Single extension ⑥</p>  <table border="1" data-bbox="837 526 1077 627"> <thead> <tr> <th></th> <th>A</th> <th>B</th> </tr> </thead> <tbody> <tr> <td>DY 613</td> <td>250</td> <td>200</td> </tr> <tr> <td>DY 614, DY 690</td> <td>500</td> <td>450</td> </tr> <tr> <td>DY 615, DY 691</td> <td>1000</td> <td>950</td> </tr> <tr> <td>DY 150, DY 692</td> <td>1950</td> <td>1900</td> </tr> </tbody> </table> <table border="1"> <thead> <tr> <th>Ø 60 mm</th> <th>L (mm)</th> <th>Ref.</th> </tr> </thead> <tbody> <tr> <td>DY 690</td> <td>500 (2 pieces)</td> <td>84887690</td> </tr> <tr> <td>DY 691</td> <td>1000 (2 pieces)</td> <td>84887691</td> </tr> <tr> <td>DY 692</td> <td>1950 (2 pieces)</td> <td>84887692</td> </tr> </tbody> </table> <table border="1"> <thead> <tr> <th>Ø 80 mm</th> <th>L (mm)</th> <th>Ref.</th> </tr> </thead> <tbody> <tr> <td>DY 613</td> <td>250 (2 pieces)</td> <td>84887613</td> </tr> <tr> <td>DY 614</td> <td>500 (2 pieces)</td> <td>84887614</td> </tr> <tr> <td>DY 615</td> <td>1000 (2 pieces)</td> <td>84887615</td> </tr> <tr> <td>DY 150</td> <td>1950 (2 pieces)</td> <td>84887550</td> </tr> </tbody> </table>		A	B	DY 613	250	200	DY 614, DY 690	500	450	DY 615, DY 691	1000	950	DY 150, DY 692	1950	1900	Ø 60 mm	L (mm)	Ref.	DY 690	500 (2 pieces)	84887690	DY 691	1000 (2 pieces)	84887691	DY 692	1950 (2 pieces)	84887692	Ø 80 mm	L (mm)	Ref.	DY 613	250 (2 pieces)	84887613	DY 614	500 (2 pieces)	84887614	DY 615	1000 (2 pieces)	84887615	DY 150	1950 (2 pieces)	84887550	
	A	B																																																																																					
DY 126	250	200																																																																																					
DY 681, DY 127	500	450																																																																																					
DY 682, DY 128	1000	950																																																																																					
DY 683, DY 129	1950	1900																																																																																					
Ø 60/100 mm	L (mm)	Ref.																																																																																					
DY 681	500	84887681																																																																																					
DY 682	1000	84887682																																																																																					
DY 683	1950	84887683																																																																																					
Ø 80/125 mm	L (mm)	Ref.																																																																																					
DY 126	250	84887526																																																																																					
DY 127	500	84887527																																																																																					
DY 128	1000	84887528																																																																																					
DY 129	1950	84887529																																																																																					
	A	B																																																																																					
DY 613	250	200																																																																																					
DY 614, DY 690	500	450																																																																																					
DY 615, DY 691	1000	950																																																																																					
DY 150, DY 692	1950	1900																																																																																					
Ø 60 mm	L (mm)	Ref.																																																																																					
DY 690	500 (2 pieces)	84887690																																																																																					
DY 691	1000 (2 pieces)	84887691																																																																																					
DY 692	1950 (2 pieces)	84887692																																																																																					
Ø 80 mm	L (mm)	Ref.																																																																																					
DY 613	250 (2 pieces)	84887613																																																																																					
DY 614	500 (2 pieces)	84887614																																																																																					
DY 615	1000 (2 pieces)	84887615																																																																																					
DY 150	1950 (2 pieces)	84887550																																																																																					
<p>Concentric inspection sleeve ⑦</p> 	<table border="1"> <thead> <tr> <th>Ø 60/100 mm</th> <th>Ref.</th> </tr> </thead> <tbody> <tr> <td>DY 689</td> <td>84887689</td> </tr> </tbody> </table>	Ø 60/100 mm	Ref.	DY 689	84887689	<p>Inspection sleeve single ④②</p>  <table border="1" data-bbox="837 795 1013 851"> <thead> <tr> <th></th> <th>A</th> <th>B</th> <th>C</th> </tr> </thead> <tbody> <tr> <td>DY 698</td> <td>250</td> <td>60</td> <td>130</td> </tr> <tr> <td>DY 146</td> <td>270</td> <td>75</td> <td>142</td> </tr> </tbody> </table> <table border="1"> <thead> <tr> <th>Ø 60 mm</th> <th>Ref.</th> </tr> </thead> <tbody> <tr> <td>DY 698</td> <td>84887698</td> </tr> </tbody> </table> <table border="1"> <thead> <tr> <th>Ø 80 mm</th> <th>Ref.</th> </tr> </thead> <tbody> <tr> <td>DY 146</td> <td>84887546</td> </tr> </tbody> </table>		A	B	C	DY 698	250	60	130	DY 146	270	75	142	Ø 60 mm	Ref.	DY 698	84887698	Ø 80 mm	Ref.	DY 146	84887546																																																													
Ø 60/100 mm	Ref.																																																																																						
DY 689	84887689																																																																																						
	A	B	C																																																																																				
DY 698	250	60	130																																																																																				
DY 146	270	75	142																																																																																				
Ø 60 mm	Ref.																																																																																						
DY 698	84887698																																																																																						
Ø 80 mm	Ref.																																																																																						
DY 146	84887546																																																																																						
<p>Concentric straight inspection pipe ⑦</p> 	<table border="1"> <thead> <tr> <th>Ø 80/125 mm</th> <th>Ref.</th> </tr> </thead> <tbody> <tr> <td>DY 124</td> <td>84887524</td> </tr> </tbody> </table>	Ø 80/125 mm	Ref.	DY 124	84887524	<p>Single inspection T ④④</p>  <table border="1" data-bbox="837 996 1013 1041"> <thead> <tr> <th></th> <th>A</th> <th>B</th> <th>C</th> </tr> </thead> <tbody> <tr> <td>DY 741</td> <td>251</td> <td>130</td> <td>100</td> </tr> <tr> <td>DY 163</td> <td>261</td> <td>142</td> <td>120</td> </tr> </tbody> </table> <table border="1"> <thead> <tr> <th>Ø 60 mm</th> <th>Ref.</th> </tr> </thead> <tbody> <tr> <td>DY 741</td> <td>84887741</td> </tr> </tbody> </table> <table border="1"> <thead> <tr> <th>Ø 80 mm</th> <th>Ref.</th> </tr> </thead> <tbody> <tr> <td>DY 163</td> <td>84887563</td> </tr> </tbody> </table>		A	B	C	DY 741	251	130	100	DY 163	261	142	120	Ø 60 mm	Ref.	DY 741	84887741	Ø 80 mm	Ref.	DY 163	84887563																																																													
Ø 80/125 mm	Ref.																																																																																						
DY 124	84887524																																																																																						
	A	B	C																																																																																				
DY 741	251	130	100																																																																																				
DY 163	261	142	120																																																																																				
Ø 60 mm	Ref.																																																																																						
DY 741	84887741																																																																																						
Ø 80 mm	Ref.																																																																																						
DY 163	84887563																																																																																						
<p>Concentric compensation sleeve ①⑦</p> 	<table border="1"> <thead> <tr> <th>Ø 60/100 mm</th> <th>Ref.</th> </tr> </thead> <tbody> <tr> <td>DY 688</td> <td>84887688</td> </tr> </tbody> </table> <table border="1"> <thead> <tr> <th>Ø 80/125 mm</th> <th>Ref.</th> </tr> </thead> <tbody> <tr> <td>DY 130</td> <td>84887530</td> </tr> </tbody> </table>	Ø 60/100 mm	Ref.	DY 688	84887688	Ø 80/125 mm	Ref.	DY 130	84887530	<p>Inspection elbow single ④⑤</p>  <table border="1"> <thead> <tr> <th>Ø 80 mm</th> <th>Ref.</th> </tr> </thead> <tbody> <tr> <td>DY 877</td> <td>100008301</td> </tr> </tbody> </table>	Ø 80 mm	Ref.	DY 877	100008301																																																																									
Ø 60/100 mm	Ref.																																																																																						
DY 688	84887688																																																																																						
Ø 80/125 mm	Ref.																																																																																						
DY 130	84887530																																																																																						
Ø 80 mm	Ref.																																																																																						
DY 877	100008301																																																																																						
<p>Concentric elbow at 87° ⑫</p> <table border="1" data-bbox="159 1310 391 1377"> <thead> <tr> <th></th> <th>A</th> <th>B</th> <th>C</th> <th>D</th> </tr> </thead> <tbody> <tr> <td>DY 684</td> <td>160</td> <td>162</td> <td>110</td> <td>120</td> </tr> <tr> <td>DY 131</td> <td>183</td> <td>185</td> <td>120</td> <td>130</td> </tr> </tbody> </table> <p>at 45°</p> <table border="1" data-bbox="159 1422 311 1489"> <thead> <tr> <th></th> <th>A</th> <th>B</th> </tr> </thead> <tbody> <tr> <td>DY 685</td> <td>70</td> <td>80</td> </tr> <tr> <td>DY 132</td> <td>90</td> <td>90</td> </tr> </tbody> </table> <p>at 30°</p>  <p>at 15°</p> 		A	B	C	D	DY 684	160	162	110	120	DY 131	183	185	120	130		A	B	DY 685	70	80	DY 132	90	90	<table border="1"> <thead> <tr> <th>Ø 60/100 mm</th> <th>Angle</th> <th>Ref.</th> </tr> </thead> <tbody> <tr> <td>DY 684</td> <td>87°</td> <td>84887684</td> </tr> <tr> <td>DY 685</td> <td>45° (2-pieces)</td> <td>84887685</td> </tr> <tr> <td>DY 686</td> <td>30° (2-pieces)</td> <td>84887686</td> </tr> <tr> <td>DY 687</td> <td>15° (2-pieces)</td> <td>84887687</td> </tr> </tbody> </table> <table border="1"> <thead> <tr> <th>Ø 80/125 mm</th> <th>Angle</th> <th>Ref.</th> </tr> </thead> <tbody> <tr> <td>DY 131</td> <td>87°</td> <td>84887531</td> </tr> <tr> <td>DY 132</td> <td>45° (2-pieces)</td> <td>84887532</td> </tr> </tbody> </table>	Ø 60/100 mm	Angle	Ref.	DY 684	87°	84887684	DY 685	45° (2-pieces)	84887685	DY 686	30° (2-pieces)	84887686	DY 687	15° (2-pieces)	84887687	Ø 80/125 mm	Angle	Ref.	DY 131	87°	84887531	DY 132	45° (2-pieces)	84887532	<p>Single elbow at 87° ④③</p>  <table border="1" data-bbox="837 1265 981 1321"> <thead> <tr> <th></th> <th>A</th> <th>B</th> </tr> </thead> <tbody> <tr> <td>DY 693</td> <td>120</td> <td>110</td> </tr> <tr> <td>DY 152</td> <td>130</td> <td>120</td> </tr> </tbody> </table> <p>at 45°</p>  <table border="1" data-bbox="837 1377 981 1433"> <thead> <tr> <th></th> <th>C</th> <th>D</th> </tr> </thead> <tbody> <tr> <td>DY 694</td> <td>80</td> <td>70</td> </tr> <tr> <td>DY 154</td> <td>90</td> <td>90</td> </tr> </tbody> </table> <table border="1"> <thead> <tr> <th>Ø 80 mm</th> <th>Angle</th> <th>Ref.</th> </tr> </thead> <tbody> <tr> <td>DY 693</td> <td>87°</td> <td>84887693</td> </tr> <tr> <td>DY 694</td> <td>45° (2-pieces)</td> <td>84887694</td> </tr> </tbody> </table> <table border="1"> <thead> <tr> <th>Ø 80 mm</th> <th>Angle</th> <th>Ref.</th> </tr> </thead> <tbody> <tr> <td>DY 152</td> <td>87°</td> <td>84887552</td> </tr> <tr> <td>DY 154</td> <td>45° (2-pieces)</td> <td>84887554</td> </tr> </tbody> </table>		A	B	DY 693	120	110	DY 152	130	120		C	D	DY 694	80	70	DY 154	90	90	Ø 80 mm	Angle	Ref.	DY 693	87°	84887693	DY 694	45° (2-pieces)	84887694	Ø 80 mm	Angle	Ref.	DY 152	87°	84887552	DY 154	45° (2-pieces)	84887554	
	A	B	C	D																																																																																			
DY 684	160	162	110	120																																																																																			
DY 131	183	185	120	130																																																																																			
	A	B																																																																																					
DY 685	70	80																																																																																					
DY 132	90	90																																																																																					
Ø 60/100 mm	Angle	Ref.																																																																																					
DY 684	87°	84887684																																																																																					
DY 685	45° (2-pieces)	84887685																																																																																					
DY 686	30° (2-pieces)	84887686																																																																																					
DY 687	15° (2-pieces)	84887687																																																																																					
Ø 80/125 mm	Angle	Ref.																																																																																					
DY 131	87°	84887531																																																																																					
DY 132	45° (2-pieces)	84887532																																																																																					
	A	B																																																																																					
DY 693	120	110																																																																																					
DY 152	130	120																																																																																					
	C	D																																																																																					
DY 694	80	70																																																																																					
DY 154	90	90																																																																																					
Ø 80 mm	Angle	Ref.																																																																																					
DY 693	87°	84887693																																																																																					
DY 694	45° (2-pieces)	84887694																																																																																					
Ø 80 mm	Angle	Ref.																																																																																					
DY 152	87°	84887552																																																																																					
DY 154	45° (2-pieces)	84887554																																																																																					
<p>Concentric inspection T ⑧</p>  <table border="1" data-bbox="159 1870 343 1926"> <thead> <tr> <th></th> <th>A</th> <th>B</th> <th>C</th> </tr> </thead> <tbody> <tr> <td>DY 737</td> <td>250</td> <td>120</td> <td>100</td> </tr> <tr> <td>DY 125</td> <td>270</td> <td>130</td> <td>120</td> </tr> </tbody> </table>		A	B	C	DY 737	250	120	100	DY 125	270	130	120	<table border="1"> <thead> <tr> <th>Ø 60/100 mm</th> <th>Ref.</th> </tr> </thead> <tbody> <tr> <td>DY 737</td> <td>84887737</td> </tr> </tbody> </table> <table border="1"> <thead> <tr> <th>Ø 80/125 mm</th> <th>Ref.</th> </tr> </thead> <tbody> <tr> <td>DY 125</td> <td>84887525</td> </tr> </tbody> </table>	Ø 60/100 mm	Ref.	DY 737	84887737	Ø 80/125 mm	Ref.	DY 125	84887525	<p>Centering star ②</p>  <table border="1" data-bbox="837 1556 925 1624"> <thead> <tr> <th></th> <th>B</th> </tr> </thead> <tbody> <tr> <td>DY 673</td> <td>60</td> </tr> <tr> <td>DY 151</td> <td>80</td> </tr> </tbody> </table> <table border="1"> <thead> <tr> <th>Ø 60 mm</th> <th>Ref.</th> </tr> </thead> <tbody> <tr> <td>DY 673 (12 pieces)</td> <td>84887673</td> </tr> </tbody> </table> <table border="1"> <thead> <tr> <th>Ø 80 mm</th> <th>Ref.</th> </tr> </thead> <tbody> <tr> <td>DY 151 (12 pieces)</td> <td>84887563</td> </tr> </tbody> </table>		B	DY 673	60	DY 151	80	Ø 60 mm	Ref.	DY 673 (12 pieces)	84887673	Ø 80 mm	Ref.	DY 151 (12 pieces)	84887563																																																			
	A	B	C																																																																																				
DY 737	250	120	100																																																																																				
DY 125	270	130	120																																																																																				
Ø 60/100 mm	Ref.																																																																																						
DY 737	84887737																																																																																						
Ø 80/125 mm	Ref.																																																																																						
DY 125	84887525																																																																																						
	B																																																																																						
DY 673	60																																																																																						
DY 151	80																																																																																						
Ø 60 mm	Ref.																																																																																						
DY 673 (12 pieces)	84887673																																																																																						
Ø 80 mm	Ref.																																																																																						
DY 151 (12 pieces)	84887563																																																																																						
<p>Concentric inspection elbow ②③</p> 	<table border="1"> <thead> <tr> <th>Ø 80/125 mm</th> <th>Ref.</th> </tr> </thead> <tbody> <tr> <td>DY 875</td> <td>100008311</td> </tr> </tbody> </table>	Ø 80/125 mm	Ref.	DY 875	100008311	<p>Air/flue gas vent with flashing ①</p>  <table border="1"> <thead> <tr> <th>Ø 80 mm</th> <th>Ref.</th> </tr> </thead> <tbody> <tr> <td>DY 185</td> <td>84887585</td> </tr> </tbody> </table>	Ø 80 mm	Ref.	DY 185	84887585	<p>Stainless steel protection screen for roof outlet ③④</p>  <table border="1"> <thead> <tr> <th>Ø 90 mm</th> <th>Ref.</th> </tr> </thead> <tbody> <tr> <td>-</td> <td>30000712</td> </tr> </tbody> </table>	Ø 90 mm	Ref.	-	30000712																																																																								
Ø 80/125 mm	Ref.																																																																																						
DY 875	100008311																																																																																						
Ø 80 mm	Ref.																																																																																						
DY 185	84887585																																																																																						
Ø 90 mm	Ref.																																																																																						
-	30000712																																																																																						

3 CONFIGURATION C_{93x} - CONCENTRIC ALU/PPS PIPES (COMBUSTIVE AIR IN COUNTER-CURRENT)

ELIDENS DTG 130-45 TO 115, INNOVENS PRO MCA 45 TO 115



connect. Ø (mm)	Equivalent length (m)			
	80/125	110/150	80	110
87° elbow	1,5	3,7	1,9	4,9
45° elbow	1,0	1,0	1,2	1,1
30° elbow	-	-	0,4	-
15° elbow	-	-	0,2	-
Straight inspection pipe	0,6	1,0	0,3	-
Inspection T	2,7	2,5	4,2	5,6
Inspection elbow	2,0	-	0,7	4,8
Condensates recup.	0,8	0,6	1,3	0,1

Lenght 1m maxi (1)

(1) For each additional metre of horizontal conduit, remove 1.2 m from the vertical length Lmax given in the table opposite.
(2) Or location ③ where appropriate

Boiler shown: MCA 45 connected with Ø 80/125 mm in boiler room and Ø 110 mm to chimney

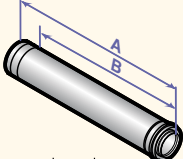
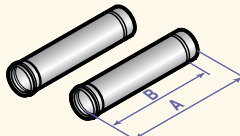
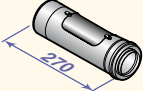
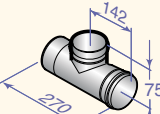
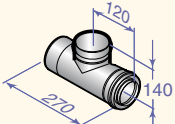
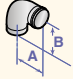
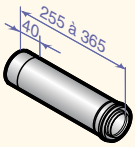
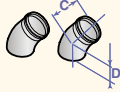
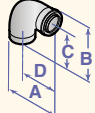
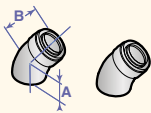
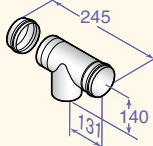
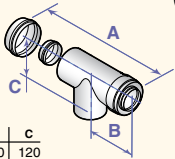

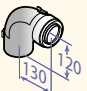
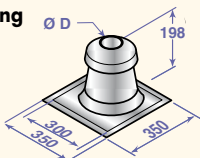

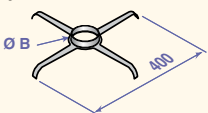
Boiler type	connect. Ø (mm)		Lmax (m)	
	- in boiler room	- to chimney	80/125	110/150
ELIDENS DTG 130-45 INNOVENS PRO MCA 45	80	110	15	20
ELIDENS DTG 130-65 INNOVENS PRO MCA 65	-	-	-	16
ELIDENS DTG 130-90 INNOVENS PRO MCA 90	-	-	-	13,2
ELIDENS DTG 130-115 INNOVENS PRO MCA 115	-	-	-	10
x min	⊘ (mm)	⊘ (mm)	140	160
	⊘ (mm)	⊘ (mm)	160	180

Alu/PPS or PPS flue systems accessories needed at the very least for air/flue gas connections using rigid pipes in an existing chimney flue:

Description	Diagrams with Dimensions/References	Boil. type	ELIDENS DTG 130-45, INNOVENS PRO MCA 45		ELIDENS DTG 130-65 to 115, INNOVENS PRO MCA 65 to 115	
			connect. Ø (mm)	- in boiler room	80/125	80/125
			- in chimney	80	110	110
		Package/Ref.				
Boiler connection kit Ø 80/125 mm		DY 716 84887716		X	X	
Boiler connection kit Ø 110/150 mm		DY 818 100002360				X
Chimney connection kit Ø 80 mm		DY 717 84887717	X			
Chimney connection kit Ø 110 mm with adapter Ø 80 to 110 mm		DY 876 100008312			X	
Chimney connection kit Ø 110 mm		DY 177 84887577				X
Condensates recuperator Ø 80/125 mm		DY 916 100018981	X	X		
Condensates recuperator Ø 110/150 mm		DY 918 100018984				X
Adapter Ø 110/150 to 100/150 mm		DY 817 100002357				X

IN BOILER ROOM, SINGLE "RIGID" PPS PIPES IN CHIMNEY

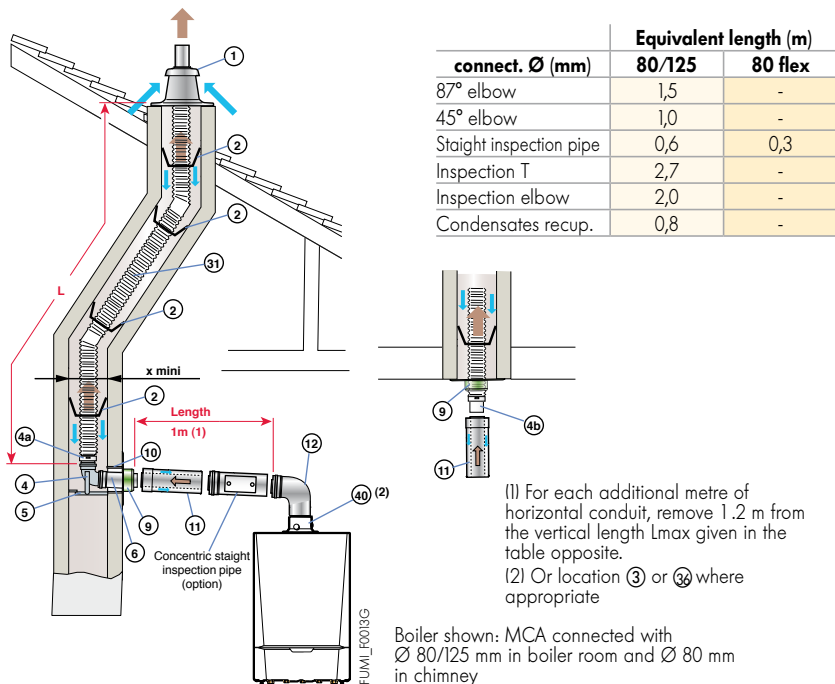
⇒ Other Alu/PPS and single PPS flue systems accessories available:

<p>Concentric extension</p>  <table border="1" data-bbox="167 481 406 582"> <thead> <tr> <th></th> <th>A</th> <th>B</th> </tr> </thead> <tbody> <tr> <td>DY 126</td> <td>250</td> <td>200</td> </tr> <tr> <td>DY 811, DY 127</td> <td>500</td> <td>450</td> </tr> <tr> <td>DY 812, DY 128</td> <td>1000</td> <td>950</td> </tr> <tr> <td>DY 129</td> <td>1950</td> <td>1900</td> </tr> </tbody> </table>		A	B	DY 126	250	200	DY 811, DY 127	500	450	DY 812, DY 128	1000	950	DY 129	1950	1900	<p>⑪</p> <table border="1"> <thead> <tr> <th>Ø 80/125 mm</th> <th>L (mm)</th> <th>Ref.</th> </tr> </thead> <tbody> <tr> <td>DY 126</td> <td>250</td> <td>84887526</td> </tr> <tr> <td>DY 127</td> <td>500</td> <td>84887527</td> </tr> <tr> <td>DY 128</td> <td>1000</td> <td>84887528</td> </tr> <tr> <td>DY 129</td> <td>1950</td> <td>84887529</td> </tr> </tbody> </table> <table border="1"> <thead> <tr> <th>Ø 110/150 mm</th> <th>L (mm)</th> <th>Ref.</th> </tr> </thead> <tbody> <tr> <td>DY 811</td> <td>500</td> <td>100002351</td> </tr> <tr> <td>DY 812</td> <td>1000</td> <td>100002352</td> </tr> </tbody> </table>	Ø 80/125 mm	L (mm)	Ref.	DY 126	250	84887526	DY 127	500	84887527	DY 128	1000	84887528	DY 129	1950	84887529	Ø 110/150 mm	L (mm)	Ref.	DY 811	500	100002351	DY 812	1000	100002352	<p>Single extension</p>  <table border="1" data-bbox="853 448 1093 548"> <thead> <tr> <th></th> <th>A</th> <th>B</th> </tr> </thead> <tbody> <tr> <td>DY 613</td> <td>250</td> <td>200</td> </tr> <tr> <td>DY 614, DY 180</td> <td>500</td> <td>450</td> </tr> <tr> <td>DY 615, DY 179</td> <td>1000</td> <td>950</td> </tr> <tr> <td>DY 150, DY 178</td> <td>1950</td> <td>1900</td> </tr> </tbody> </table>		A	B	DY 613	250	200	DY 614, DY 180	500	450	DY 615, DY 179	1000	950	DY 150, DY 178	1950	1900	<p>⑥</p> <table border="1"> <thead> <tr> <th>Ø 80 mm</th> <th>L (mm)</th> <th>Ref.</th> </tr> </thead> <tbody> <tr> <td>DY 613</td> <td>250 (2 pieces)</td> <td>84887613</td> </tr> <tr> <td>DY 614</td> <td>500 (2 pieces)</td> <td>84887614</td> </tr> <tr> <td>DY 615</td> <td>1000 (2 pieces)</td> <td>84887615</td> </tr> <tr> <td>DY 150</td> <td>1950 (2 pieces)</td> <td>84887550</td> </tr> </tbody> </table> <table border="1"> <thead> <tr> <th>Ø 110 mm</th> <th>L (mm)</th> <th>Ref.</th> </tr> </thead> <tbody> <tr> <td>DY 180</td> <td>500</td> <td>84887580</td> </tr> <tr> <td>DY 179</td> <td>1000</td> <td>84887581</td> </tr> <tr> <td>DY 178</td> <td>1950</td> <td>84887578</td> </tr> </tbody> </table>	Ø 80 mm	L (mm)	Ref.	DY 613	250 (2 pieces)	84887613	DY 614	500 (2 pieces)	84887614	DY 615	1000 (2 pieces)	84887615	DY 150	1950 (2 pieces)	84887550	Ø 110 mm	L (mm)	Ref.	DY 180	500	84887580	DY 179	1000	84887581	DY 178	1950	84887578
	A	B																																																																																		
DY 126	250	200																																																																																		
DY 811, DY 127	500	450																																																																																		
DY 812, DY 128	1000	950																																																																																		
DY 129	1950	1900																																																																																		
Ø 80/125 mm	L (mm)	Ref.																																																																																		
DY 126	250	84887526																																																																																		
DY 127	500	84887527																																																																																		
DY 128	1000	84887528																																																																																		
DY 129	1950	84887529																																																																																		
Ø 110/150 mm	L (mm)	Ref.																																																																																		
DY 811	500	100002351																																																																																		
DY 812	1000	100002352																																																																																		
	A	B																																																																																		
DY 613	250	200																																																																																		
DY 614, DY 180	500	450																																																																																		
DY 615, DY 179	1000	950																																																																																		
DY 150, DY 178	1950	1900																																																																																		
Ø 80 mm	L (mm)	Ref.																																																																																		
DY 613	250 (2 pieces)	84887613																																																																																		
DY 614	500 (2 pieces)	84887614																																																																																		
DY 615	1000 (2 pieces)	84887615																																																																																		
DY 150	1950 (2 pieces)	84887550																																																																																		
Ø 110 mm	L (mm)	Ref.																																																																																		
DY 180	500	84887580																																																																																		
DY 179	1000	84887581																																																																																		
DY 178	1950	84887578																																																																																		
<p>Concentric staight inspection pipe</p> 	<p>⑦</p> <table border="1"> <thead> <tr> <th>Ø 80/125 mm</th> <th>Ref.</th> </tr> </thead> <tbody> <tr> <td>DY 124</td> <td>84887524</td> </tr> </tbody> </table>	Ø 80/125 mm	Ref.	DY 124	84887524	<p>Single inspection sleeve</p> 	<p>④2</p> <table border="1"> <thead> <tr> <th>Ø 80 mm</th> <th>Ref.</th> </tr> </thead> <tbody> <tr> <td>DY 146</td> <td>84887546</td> </tr> </tbody> </table>	Ø 80 mm	Ref.	DY 146	84887546																																																																									
Ø 80/125 mm	Ref.																																																																																			
DY 124	84887524																																																																																			
Ø 80 mm	Ref.																																																																																			
DY 146	84887546																																																																																			
<p>Concentric inspection sleeve</p> 	<p>⑦</p> <table border="1"> <thead> <tr> <th>Ø 110/150 mm</th> <th>Ref.</th> </tr> </thead> <tbody> <tr> <td>DY 815</td> <td>100002355</td> </tr> </tbody> </table>	Ø 110/150 mm	Ref.	DY 815	100002355	<p>Single elbow at 87°</p>  <table border="1" data-bbox="845 952 997 1019"> <thead> <tr> <th></th> <th>A</th> <th>B</th> </tr> </thead> <tbody> <tr> <td>DY 152</td> <td>130</td> <td>120</td> </tr> <tr> <td>DY 181</td> <td>120</td> <td>120</td> </tr> </tbody> </table>		A	B	DY 152	130	120	DY 181	120	120	<table border="1"> <thead> <tr> <th>Ø 80 mm</th> <th>Angle</th> <th>Ref.</th> </tr> </thead> <tbody> <tr> <td>DY 152</td> <td>87°</td> <td>84887552</td> </tr> <tr> <td>DY 154</td> <td>45° (2-pieces)</td> <td>84887554</td> </tr> </tbody> </table>	Ø 80 mm	Angle	Ref.	DY 152	87°	84887552	DY 154	45° (2-pieces)	84887554																																																											
Ø 110/150 mm	Ref.																																																																																			
DY 815	100002355																																																																																			
	A	B																																																																																		
DY 152	130	120																																																																																		
DY 181	120	120																																																																																		
Ø 80 mm	Angle	Ref.																																																																																		
DY 152	87°	84887552																																																																																		
DY 154	45° (2-pieces)	84887554																																																																																		
<p>Concentric compensation concentric</p> 	<p>⑰</p> <table border="1"> <thead> <tr> <th>Ø 80/125 mm</th> <th>Ref.</th> </tr> </thead> <tbody> <tr> <td>DY 130</td> <td>84887530</td> </tr> </tbody> </table>	Ø 80/125 mm	Ref.	DY 130	84887530	<p>at 45°</p>  <table border="1" data-bbox="845 1120 997 1187"> <thead> <tr> <th></th> <th>C</th> <th>D</th> </tr> </thead> <tbody> <tr> <td>DY 154</td> <td>90</td> <td>90</td> </tr> <tr> <td>DY 182</td> <td>90</td> <td>90</td> </tr> </tbody> </table>		C	D	DY 154	90	90	DY 182	90	90	<table border="1"> <thead> <tr> <th>Ø 110 mm</th> <th>Angle</th> <th>Ref.</th> </tr> </thead> <tbody> <tr> <td>DY 181</td> <td>87°</td> <td>84887581</td> </tr> <tr> <td>DY 182</td> <td>45° (2-pieces)</td> <td>84887582</td> </tr> </tbody> </table>	Ø 110 mm	Angle	Ref.	DY 181	87°	84887581	DY 182	45° (2-pieces)	84887582																																																											
Ø 80/125 mm	Ref.																																																																																			
DY 130	84887530																																																																																			
	C	D																																																																																		
DY 154	90	90																																																																																		
DY 182	90	90																																																																																		
Ø 110 mm	Angle	Ref.																																																																																		
DY 181	87°	84887581																																																																																		
DY 182	45° (2-pieces)	84887582																																																																																		
<p>Concentric elbow at 87°</p>  <table border="1" data-bbox="167 1400 399 1467"> <thead> <tr> <th></th> <th>A</th> <th>B</th> <th>C</th> <th>D</th> </tr> </thead> <tbody> <tr> <td>DY 813</td> <td>239</td> <td>241</td> <td>165</td> <td>164</td> </tr> <tr> <td>DY 131</td> <td>183</td> <td>185</td> <td>120</td> <td>130</td> </tr> </tbody> </table> <p>at 45°</p>  <table border="1" data-bbox="167 1601 319 1668"> <thead> <tr> <th></th> <th>A</th> <th>B</th> </tr> </thead> <tbody> <tr> <td>DY 132</td> <td>90</td> <td>90</td> </tr> <tr> <td>DY 814</td> <td>110</td> <td>110</td> </tr> </tbody> </table>		A	B	C	D	DY 813	239	241	165	164	DY 131	183	185	120	130		A	B	DY 132	90	90	DY 814	110	110	<p>⑫</p> <table border="1"> <thead> <tr> <th>Ø 80/125 mm</th> <th>Angle</th> <th>Ref.</th> </tr> </thead> <tbody> <tr> <td>DY 131</td> <td>87°</td> <td>84887531</td> </tr> <tr> <td>DY 132</td> <td>45° (2-pieces)</td> <td>84887532</td> </tr> </tbody> </table> <table border="1"> <thead> <tr> <th>Ø 110/150 mm</th> <th>Angle</th> <th>Ref.</th> </tr> </thead> <tbody> <tr> <td>DY 813</td> <td>87°</td> <td>100002353</td> </tr> <tr> <td>DY 814</td> <td>45° (2-pieces)</td> <td>100002354</td> </tr> </tbody> </table>	Ø 80/125 mm	Angle	Ref.	DY 131	87°	84887531	DY 132	45° (2-pieces)	84887532	Ø 110/150 mm	Angle	Ref.	DY 813	87°	100002353	DY 814	45° (2-pieces)	100002354	<p>Inspection T single</p> 	<p>④4</p> <table border="1"> <thead> <tr> <th>Ø 80 mm</th> <th>Ref.</th> </tr> </thead> <tbody> <tr> <td>DY 163</td> <td>84887563</td> </tr> </tbody> </table> <table border="1"> <thead> <tr> <th>Ø 110 mm</th> <th>Ref.</th> </tr> </thead> <tbody> <tr> <td>DY 183</td> <td>84887583</td> </tr> </tbody> </table>	Ø 80 mm	Ref.	DY 163	84887563	Ø 110 mm	Ref.	DY 183	84887583																															
	A	B	C	D																																																																																
DY 813	239	241	165	164																																																																																
DY 131	183	185	120	130																																																																																
	A	B																																																																																		
DY 132	90	90																																																																																		
DY 814	110	110																																																																																		
Ø 80/125 mm	Angle	Ref.																																																																																		
DY 131	87°	84887531																																																																																		
DY 132	45° (2-pieces)	84887532																																																																																		
Ø 110/150 mm	Angle	Ref.																																																																																		
DY 813	87°	100002353																																																																																		
DY 814	45° (2-pieces)	100002354																																																																																		
Ø 80 mm	Ref.																																																																																			
DY 163	84887563																																																																																			
Ø 110 mm	Ref.																																																																																			
DY 183	84887583																																																																																			
<p>Inspection T concentric</p>  <table border="1" data-bbox="167 1825 351 1892"> <thead> <tr> <th></th> <th>A</th> <th>B</th> <th>C</th> </tr> </thead> <tbody> <tr> <td>DY 125</td> <td>270</td> <td>140</td> <td>120</td> </tr> <tr> <td>DY 816</td> <td>270</td> <td>120</td> <td>140</td> </tr> </tbody> </table>		A	B	C	DY 125	270	140	120	DY 816	270	120	140	<p>⑧</p> <table border="1"> <thead> <tr> <th>Ø 80/125 mm</th> <th>Ref.</th> </tr> </thead> <tbody> <tr> <td>DY 125</td> <td>84887525</td> </tr> </tbody> </table> <table border="1"> <thead> <tr> <th>Ø 110/150 mm</th> <th>Ref.</th> </tr> </thead> <tbody> <tr> <td>DY 816</td> <td>100002356</td> </tr> </tbody> </table>	Ø 80/125 mm	Ref.	DY 125	84887525	Ø 110/150 mm	Ref.	DY 816	100002356	<p>Inspection elbow single</p>  <table border="1" data-bbox="845 1467 997 1534"> <thead> <tr> <th></th> <th>A</th> <th>B</th> </tr> </thead> <tbody> <tr> <td>DY 877</td> <td>130</td> <td>120</td> </tr> <tr> <td>DY 188</td> <td>120</td> <td>120</td> </tr> </tbody> </table>		A	B	DY 877	130	120	DY 188	120	120	<p>④5</p> <table border="1"> <thead> <tr> <th>Ø 80 mm</th> <th>Ref.</th> </tr> </thead> <tbody> <tr> <td>DY 877</td> <td>100008301</td> </tr> </tbody> </table> <table border="1"> <thead> <tr> <th>Ø 110 mm</th> <th>Ref.</th> </tr> </thead> <tbody> <tr> <td>DY 188</td> <td>84887588</td> </tr> </tbody> </table>	Ø 80 mm	Ref.	DY 877	100008301	Ø 110 mm	Ref.	DY 188	84887588																																												
	A	B	C																																																																																	
DY 125	270	140	120																																																																																	
DY 816	270	120	140																																																																																	
Ø 80/125 mm	Ref.																																																																																			
DY 125	84887525																																																																																			
Ø 110/150 mm	Ref.																																																																																			
DY 816	100002356																																																																																			
	A	B																																																																																		
DY 877	130	120																																																																																		
DY 188	120	120																																																																																		
Ø 80 mm	Ref.																																																																																			
DY 877	100008301																																																																																			
Ø 110 mm	Ref.																																																																																			
DY 188	84887588																																																																																			
<p>Inspection elbow concentric</p> 	<p>⑳</p> <table border="1"> <thead> <tr> <th>Ø 80/125 mm</th> <th>Ref.</th> </tr> </thead> <tbody> <tr> <td>DY 875</td> <td>100008311</td> </tr> </tbody> </table>	Ø 80/125 mm	Ref.	DY 875	100008311	<p>Air/flue gas vent with flashing</p>  <table border="1" data-bbox="845 1680 933 1747"> <thead> <tr> <th></th> <th>D</th> </tr> </thead> <tbody> <tr> <td>DY 185</td> <td>80</td> </tr> <tr> <td>DY 189</td> <td>110</td> </tr> </tbody> </table>		D	DY 185	80	DY 189	110	<p>①</p> <table border="1"> <thead> <tr> <th>Ø 80 mm</th> <th>Ref.</th> </tr> </thead> <tbody> <tr> <td>DY 185</td> <td>84887585</td> </tr> </tbody> </table> <table border="1"> <thead> <tr> <th>Ø 110 mm</th> <th>Ref.</th> </tr> </thead> <tbody> <tr> <td>DY 189</td> <td>84887589</td> </tr> </tbody> </table>	Ø 80 mm	Ref.	DY 185	84887585	Ø 110 mm	Ref.	DY 189	84887589																																																															
Ø 80/125 mm	Ref.																																																																																			
DY 875	100008311																																																																																			
	D																																																																																			
DY 185	80																																																																																			
DY 189	110																																																																																			
Ø 80 mm	Ref.																																																																																			
DY 185	84887585																																																																																			
Ø 110 mm	Ref.																																																																																			
DY 189	84887589																																																																																			
		<p>Stainless steel protection screen for roof outlet</p> 	<p>③4</p> <table border="1"> <thead> <tr> <th>Ø 90 mm</th> <th>Ref.</th> </tr> </thead> <tbody> <tr> <td>-</td> <td>300007172</td> </tr> </tbody> </table> <table border="1"> <thead> <tr> <th>Ø 120 mm</th> <th>Ref.</th> </tr> </thead> <tbody> <tr> <td>-</td> <td>300007173</td> </tr> </tbody> </table>	Ø 90 mm	Ref.	-	300007172	Ø 120 mm	Ref.	-	300007173																																																																									
Ø 90 mm	Ref.																																																																																			
-	300007172																																																																																			
Ø 120 mm	Ref.																																																																																			
-	300007173																																																																																			
		<p>Centering star</p>  <table border="1" data-bbox="845 2016 933 2072"> <thead> <tr> <th></th> <th>B</th> </tr> </thead> <tbody> <tr> <td>DY 151</td> <td>80</td> </tr> <tr> <td>DY 187</td> <td>110</td> </tr> </tbody> </table>		B	DY 151	80	DY 187	110	<p>②</p> <table border="1"> <thead> <tr> <th>Ø 80 mm</th> <th>Ref.</th> </tr> </thead> <tbody> <tr> <td>DY 151 (2 pieces)</td> <td>84887551</td> </tr> </tbody> </table> <table border="1"> <thead> <tr> <th>Ø 110 mm</th> <th>Ref.</th> </tr> </thead> <tbody> <tr> <td>DY 187 (2 pieces)</td> <td>84887587</td> </tr> </tbody> </table>	Ø 80 mm	Ref.	DY 151 (2 pieces)	84887551	Ø 110 mm	Ref.	DY 187 (2 pieces)	84887587																																																																			
	B																																																																																			
DY 151	80																																																																																			
DY 187	110																																																																																			
Ø 80 mm	Ref.																																																																																			
DY 151 (2 pieces)	84887551																																																																																			
Ø 110 mm	Ref.																																																																																			
DY 187 (2 pieces)	84887587																																																																																			

4 CONFIGURATION C₉₃X - CONCENTRIC ALU/PPS PIPES (COMBUSTIVE AIR IN COUNTER-CURRENT)

MODULENS G[®], TWINEO, ELIDENS DTG 130-45,
INNOVENS PRO MCA 45, INNOVENS MCA, QUADRODENS, VIVADENS

Boiler type	connect. Ø (mm)		L _{max} (m)
	- in boiler room	- to chimney	
QUADRODENS DUC 25-...	80/125	80	17
ELIDENS DTG 130-45 INNOVENS PRO MCA 45	80/125	80	12
MODULENS G [®] AGC 10 INNOVENS MCA 10	80/125	80	6,9
MODULENS G [®] AGC 15 INNOVENS MCA 15	80/125	80	11,1
MODULENS G [®] AGC 25 TWINEO EGC 25 INNOVENS MCA 25	80/125	80	20
MODULENS G [®] AGC 35 INNOVENS MCA 35	80/125	80	20
INNOVENS MCA 25/28 MI INNOVENS MCA 25/28 BIC	80/125	80	20
VIVADENS MCR 24	80/125	80	15,5
VIVADENS MCR 24/28 MI VIVADENS MCR 24/28 BIC	80/125	80	19
VIVADENS MCR 30/35 MI	80/125	80	18
VIVADENS MCR 34/39 MI	80/125	80	20
	x min	□ (mm)	140
		Ø (mm)	160



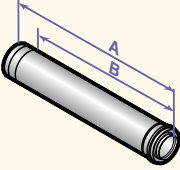
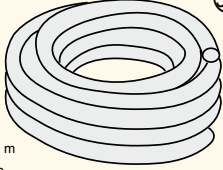
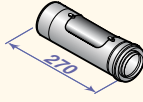
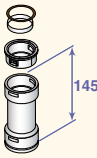
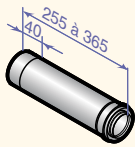
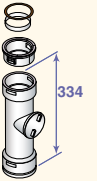
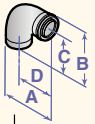
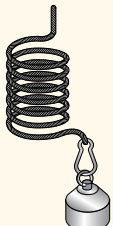
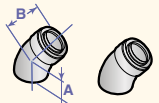
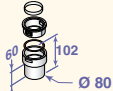
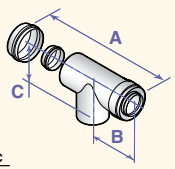
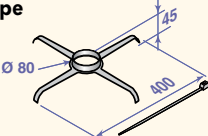
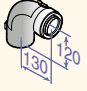

⇒ Alu/PPS and PPS flue systems accessories needed at the very least for connection using flex pipes in an existing chimney flue:

Description	Diagrams with Dimensions/References	Boiler types	MODULENS G [®] AGC 10, 15, 25, 35, TWINEO, EGC 25, QUADRODENS		ELIDENS DTG 130-45, INNOVENS PRO MCA 45		INNOVENS MCA 10, 15, 25, 35, 25/28 MI 25/28 BIC, VIVADENS	
			connect. Ø - in boiler room (mm)		connect. Ø - in boiler room (mm)		connect. Ø - in boiler room (mm)	
			80/125		80/125		80/125	
			perpendicular to the conduit	in conduit	perpendicular to the conduit	in conduit	perpendicular to the conduit	in conduit
Boiler connection kit Ø 80/125 mm perpendicular to the conduit	DY 849 	DY 850 	DY 849 100003271	X		X		X
Boiler connection kit Ø 80/125 mm in conduit			DY 850 10003272		X		X	X
Adapter flex pipe			DY 904 100015880		X		X	X
Chimney connection kit Ø 80 mm			DY 895 100015325	X		X		X
Air/flue gas vent with flashing for flex pipe			DY 899 100015329		X		X	X
Adapter Ø 80/125 to 60/100 mm	DY 708 	HR 38 	DY 708 84887708	X				
Adapter Ø 80/125 mm			HR 38 S100465					X
Condensates recuperator Ø 80/125 mm			DY 916 100018981			X		
Flex pipe Ø 80 mm L 12.5 m (1)			DY 897 100015327	X		X		X

(1) other flex pipe lengths available - see next page

IN BOILER ROOM, SINGLE "FLEX" PPS PIPES IN CHIMNEY

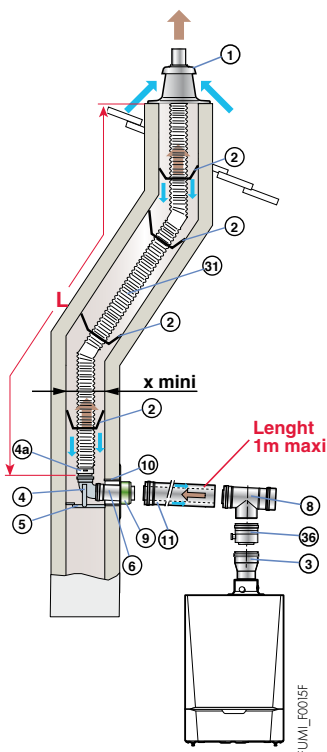
⇒ Other concentric Alu/PPS or single PPS (flex) flue systems accessories available:

<p>Concentric extension</p>  <table border="1" data-bbox="159 510 395 616"> <thead> <tr> <th></th> <th>A</th> <th>B</th> </tr> </thead> <tbody> <tr> <td>DY 126</td> <td>250</td> <td>200</td> </tr> <tr> <td>DY 127</td> <td>500</td> <td>450</td> </tr> <tr> <td>DY 128</td> <td>1000</td> <td>950</td> </tr> <tr> <td>DY 129</td> <td>1950</td> <td>1900</td> </tr> </tbody> </table>		A	B	DY 126	250	200	DY 127	500	450	DY 128	1000	950	DY 129	1950	1900	<p>⑪</p> <table border="1"> <thead> <tr> <th>Ø 80/125 mm</th> <th>L (mm)</th> <th>Ref.</th> </tr> </thead> <tbody> <tr> <td>DY 126</td> <td>250</td> <td>84887526</td> </tr> <tr> <td>DY 127</td> <td>500</td> <td>84887527</td> </tr> <tr> <td>DY 128</td> <td>1000</td> <td>84887528</td> </tr> <tr> <td>DY 129</td> <td>1950</td> <td>84887529</td> </tr> </tbody> </table>	Ø 80/125 mm	L (mm)	Ref.	DY 126	250	84887526	DY 127	500	84887527	DY 128	1000	84887528	DY 129	1950	84887529	<p>Flex pipe</p>  <table border="1" data-bbox="837 414 965 459"> <tbody> <tr> <td>DY 897</td> <td>12,5 m</td> </tr> <tr> <td>DY 896</td> <td>50 m</td> </tr> </tbody> </table>	DY 897	12,5 m	DY 896	50 m	<table border="1"> <thead> <tr> <th>Ø 80 mm</th> <th>L (m)</th> <th>Ref.</th> </tr> </thead> <tbody> <tr> <td>DY 897</td> <td>12,5</td> <td>100015327</td> </tr> <tr> <td>DY 896</td> <td>50</td> <td>100015326</td> </tr> </tbody> </table>	Ø 80 mm	L (m)	Ref.	DY 897	12,5	100015327	DY 896	50	100015326
	A	B																																												
DY 126	250	200																																												
DY 127	500	450																																												
DY 128	1000	950																																												
DY 129	1950	1900																																												
Ø 80/125 mm	L (mm)	Ref.																																												
DY 126	250	84887526																																												
DY 127	500	84887527																																												
DY 128	1000	84887528																																												
DY 129	1950	84887529																																												
DY 897	12,5 m																																													
DY 896	50 m																																													
Ø 80 mm	L (m)	Ref.																																												
DY 897	12,5	100015327																																												
DY 896	50	100015326																																												
<p>Concentric staight inspection pipe</p> 	<p>⑦</p> <table border="1"> <thead> <tr> <th>Ø 80/125 mm</th> <th>Ref.</th> </tr> </thead> <tbody> <tr> <td>DY 124</td> <td>84887524</td> </tr> </tbody> </table>	Ø 80/125 mm	Ref.	DY 124	84887524	<p>Coupling component for flex pipe</p> 	<table border="1"> <thead> <tr> <th>Ø 80 mm</th> <th>Ref.</th> </tr> </thead> <tbody> <tr> <td>DY 898</td> <td>100015328</td> </tr> </tbody> </table>	Ø 80 mm	Ref.	DY 898	100015328																																			
Ø 80/125 mm	Ref.																																													
DY 124	84887524																																													
Ø 80 mm	Ref.																																													
DY 898	100015328																																													
<p>Concentric compensation sleeve</p> 	<p>⑰</p> <table border="1"> <thead> <tr> <th>Ø 80/125 mm</th> <th>Ref.</th> </tr> </thead> <tbody> <tr> <td>DY 130</td> <td>84887530</td> </tr> </tbody> </table>	Ø 80/125 mm	Ref.	DY 130	84887530	<p>Inspection pipe for flex pipe</p> 	<table border="1"> <thead> <tr> <th>Ø 80 mm</th> <th>Ref.</th> </tr> </thead> <tbody> <tr> <td>DY 900</td> <td>100015330</td> </tr> </tbody> </table>	Ø 80 mm	Ref.	DY 900	100015330																																			
Ø 80/125 mm	Ref.																																													
DY 130	84887530																																													
Ø 80 mm	Ref.																																													
DY 900	100015330																																													
<p>Concentric elbow at 87°</p>  <table border="1" data-bbox="159 1198 391 1243"> <thead> <tr> <th></th> <th>A</th> <th>B</th> <th>C</th> <th>D</th> </tr> </thead> <tbody> <tr> <td>DY 131</td> <td>183</td> <td>185</td> <td>120</td> <td>130</td> </tr> </tbody> </table>		A	B	C	D	DY 131	183	185	120	130	<p>⑫</p> <table border="1"> <thead> <tr> <th>Ø 80/125 mm</th> <th>Angle</th> <th>Ref.</th> </tr> </thead> <tbody> <tr> <td>DY 131</td> <td>87°</td> <td>84887531</td> </tr> <tr> <td>DY 132</td> <td>45° (2-pieces)</td> <td>84887532</td> </tr> </tbody> </table>	Ø 80/125 mm	Angle	Ref.	DY 131	87°	84887531	DY 132	45° (2-pieces)	84887532	<p>Insertion tool for flex pipe</p> 	<table border="1"> <thead> <tr> <th>Ø 80 mm</th> <th>Ref.</th> </tr> </thead> <tbody> <tr> <td>DY 901</td> <td>100015331</td> </tr> </tbody> </table>	Ø 80 mm	Ref.	DY 901	100015331																				
	A	B	C	D																																										
DY 131	183	185	120	130																																										
Ø 80/125 mm	Angle	Ref.																																												
DY 131	87°	84887531																																												
DY 132	45° (2-pieces)	84887532																																												
Ø 80 mm	Ref.																																													
DY 901	100015331																																													
<p>at 45°</p>  <table border="1" data-bbox="159 1377 311 1422"> <thead> <tr> <th></th> <th>A</th> <th>B</th> </tr> </thead> <tbody> <tr> <td>DY 132</td> <td>90</td> <td>90</td> </tr> </tbody> </table>		A	B	DY 132	90	90		<p>Adapters for flex pipe</p> 	<table border="1"> <thead> <tr> <th>Ø 80 mm</th> <th>Ref.</th> </tr> </thead> <tbody> <tr> <td>DY 904</td> <td>100015880</td> </tr> </tbody> </table>	Ø 80 mm	Ref.	DY 904	100015880																																	
	A	B																																												
DY 132	90	90																																												
Ø 80 mm	Ref.																																													
DY 904	100015880																																													
<p>Inspection T concentric</p>  <table border="1" data-bbox="159 1635 343 1680"> <thead> <tr> <th></th> <th>A</th> <th>B</th> <th>C</th> </tr> </thead> <tbody> <tr> <td>DY 125</td> <td>270</td> <td>140</td> <td>120</td> </tr> </tbody> </table>		A	B	C	DY 125	270	140	120	<p>⑧</p> <table border="1"> <thead> <tr> <th>Ø 80/125 mm</th> <th>Ref.</th> </tr> </thead> <tbody> <tr> <td>DY 125</td> <td>84887525</td> </tr> </tbody> </table>	Ø 80/125 mm	Ref.	DY 125	84887525	<p>Centering star for flex pipe</p> 	<table border="1"> <thead> <tr> <th>Ø 80 mm</th> <th>Ref.</th> </tr> </thead> <tbody> <tr> <td>DY 618 (2 pieces)</td> <td>84887618</td> </tr> </tbody> </table>	Ø 80 mm	Ref.	DY 618 (2 pieces)	84887618																											
	A	B	C																																											
DY 125	270	140	120																																											
Ø 80/125 mm	Ref.																																													
DY 125	84887525																																													
Ø 80 mm	Ref.																																													
DY 618 (2 pieces)	84887618																																													
<p>Inspection elbow concentric</p> 	<p>⑳</p> <table border="1"> <thead> <tr> <th>Ø 80/125 mm</th> <th>Ref.</th> </tr> </thead> <tbody> <tr> <td>DY 875</td> <td>100008311</td> </tr> </tbody> </table>	Ø 80/125 mm	Ref.	DY 875	100008311	<p>Stainless steel protection screen for roof outlet</p> 	<table border="1"> <thead> <tr> <th>Ø 90 mm</th> <th>Ref.</th> </tr> </thead> <tbody> <tr> <td>-</td> <td>300007172</td> </tr> </tbody> </table>	Ø 90 mm	Ref.	-	300007172																																			
Ø 80/125 mm	Ref.																																													
DY 875	100008311																																													
Ø 90 mm	Ref.																																													
-	300007172																																													

4 CONFIGURATION C_{93X} - CONCENTRIC ALU/PPS PIPES (COMBUSTIVE AIR IN COUNTER-CURRENT)

ELIDENS DTG 130-65 TO 115, INNOVENS PRO MCA 65 TO 115

Boiler type	connect. Ø (mm)		Lmax (m)
	- in boiler room	- to chimney	
ELIDENS DTG 130-65 INNOVENS PRO MCA 65	110/150	110	16,5
ELIDENS DTG 130-90 INNOVENS PRO MCA 90	110/150	110	13,5
ELIDENS DTG 130-115 INNOVENS PRO MCA 115	110/150	110	9,4
	x min	□ (mm)	170
		Ø (mm)	190



connect. Ø (mm)	Equivalent length (m)	
	110/150	110 flex
87° elbow	3,7	-
45° elbow	1,0	-
Straight inspection pipe	1,0	0,5
Inspection T	2,5	-
Condensates recup.	0,6	-

(I) For each additional metre of horizontal conduit, remove 1.2 m from the vertical length Lmax given in the table opposite.

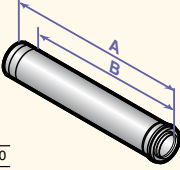
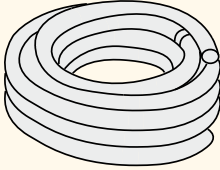
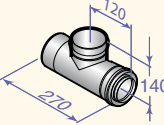
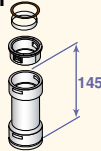
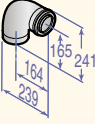
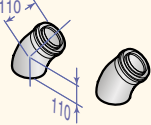
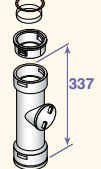
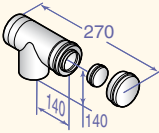

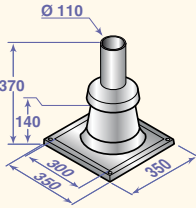
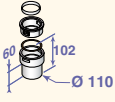

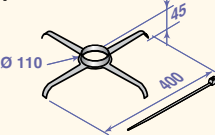
Boiler shown:
MCA 65 to 115 mm

⇒ Alu/PPS or PPS flue systems accessories needed at the very least for air/flue gas connection using flex pipes in an existing chimney flue:

Description	Diagrams with Dimensions/References	Boiler types	ELIDENS DTG 130-65 to 115, INNOVENS PRO MCA 65 to 115
		connect. Ø (mm) - in boiler room - in chimney	110/150 110
		Package/ Ref.	
Boiler connection kit Ø 110/150 mm		DY 818 100002360	X
Chimney connection kit Ø 110 mm		DY 888 100015287	X
Adapter Ø 100/150 mm to Ø 110/150 mm		③ DY 817 100002357	X
Condensates recuperator Ø 110/150 mm		③⑥ DY 918 100018984	X
Flex pipe Ø 110 mm L 15 m (I)		③① DY 889 100015288	X

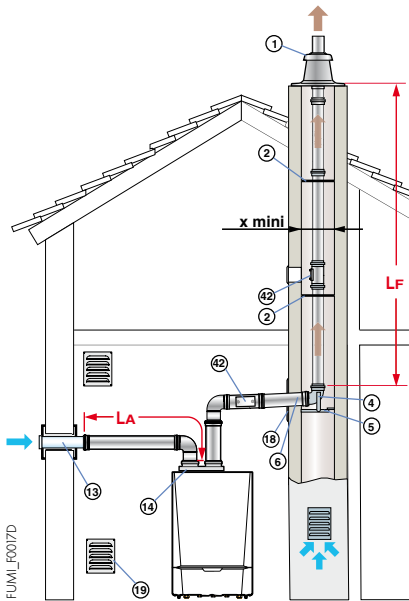
IN BOILER ROOM, SINGLE "FLEX" PPS PIPES IN CHIMNEY

⇨ Other concentric Alu/PPS or single PPS (flex) flue systems accessories available:

<p>Concentric extension</p>  <table border="1" data-bbox="156 443 300 499"> <thead> <tr> <th></th> <th>A</th> <th>B</th> </tr> </thead> <tbody> <tr> <td>DY 811</td> <td>500</td> <td>450</td> </tr> <tr> <td>DY 812</td> <td>1000</td> <td>950</td> </tr> </tbody> </table>		A	B	DY 811	500	450	DY 812	1000	950	<p>⑪</p> <table border="1"> <thead> <tr> <th>Ø 110/150 mm</th> <th>L (mm)</th> <th>Ref.</th> </tr> </thead> <tbody> <tr> <td>DY 811</td> <td>500</td> <td>100002351</td> </tr> <tr> <td>DY 812</td> <td>1000</td> <td>100002352</td> </tr> </tbody> </table>	Ø 110/150 mm	L (mm)	Ref.	DY 811	500	100002351	DY 812	1000	100002352	<p>Flex pipe</p> 	<p>③①</p> <table border="1"> <thead> <tr> <th>Ø 110 mm</th> <th>L (m)</th> <th>Ref.</th> </tr> </thead> <tbody> <tr> <td>DY 889</td> <td>15</td> <td>100015288</td> </tr> <tr> <td>DY 890</td> <td>25</td> <td>100015289</td> </tr> </tbody> </table>	Ø 110 mm	L (m)	Ref.	DY 889	15	100015288	DY 890	25	100015289
	A	B																												
DY 811	500	450																												
DY 812	1000	950																												
Ø 110/150 mm	L (mm)	Ref.																												
DY 811	500	100002351																												
DY 812	1000	100002352																												
Ø 110 mm	L (m)	Ref.																												
DY 889	15	100015288																												
DY 890	25	100015289																												
<p>Concentric inspection sleeve</p> 	<p>⑦</p> <table border="1"> <thead> <tr> <th>Ø 110/150 mm</th> <th>Ref.</th> </tr> </thead> <tbody> <tr> <td>DY 815</td> <td>100002355</td> </tr> </tbody> </table>	Ø 110/150 mm	Ref.	DY 815	100002355	<p>Coupling component for flex pipe</p> 	<p>③②</p> <table border="1"> <thead> <tr> <th>Ø 110 mm</th> <th>Ref.</th> </tr> </thead> <tbody> <tr> <td>DY 891</td> <td>100015321</td> </tr> </tbody> </table>	Ø 110 mm	Ref.	DY 891	100015321																			
Ø 110/150 mm	Ref.																													
DY 815	100002355																													
Ø 110 mm	Ref.																													
DY 891	100015321																													
<p>Concentric elbow at 87°</p>  <p>at 45°</p> 	<p>⑫</p> <table border="1"> <thead> <tr> <th>Ø 110/150 mm</th> <th>Angle</th> <th>Ref.</th> </tr> </thead> <tbody> <tr> <td>DY 813</td> <td>87°</td> <td>100002353</td> </tr> <tr> <td>DY 814</td> <td>45° (2-pieces)</td> <td>100002354</td> </tr> </tbody> </table>	Ø 110/150 mm	Angle	Ref.	DY 813	87°	100002353	DY 814	45° (2-pieces)	100002354	<p>Inspection pipe for flex pipe</p> 	<p>③⑧</p> <table border="1"> <thead> <tr> <th>Ø 110 mm</th> <th>Ref.</th> </tr> </thead> <tbody> <tr> <td>DY 893</td> <td>100015323</td> </tr> </tbody> </table>	Ø 110 mm	Ref.	DY 893	100015323														
Ø 110/150 mm	Angle	Ref.																												
DY 813	87°	100002353																												
DY 814	45° (2-pieces)	100002354																												
Ø 110 mm	Ref.																													
DY 893	100015323																													
<p>Concentric inspection T</p> 	<p>⑧</p> <table border="1"> <thead> <tr> <th>Ø 110/150 mm</th> <th>Ref.</th> </tr> </thead> <tbody> <tr> <td>DY 816</td> <td>100002356</td> </tr> </tbody> </table>	Ø 110/150 mm	Ref.	DY 816	100002356	<p>Insertion tool for flex pipe</p> 	<p>③③</p> <table border="1"> <thead> <tr> <th>Ø 110 mm</th> <th>Ref.</th> </tr> </thead> <tbody> <tr> <td>DY 894</td> <td>100015324</td> </tr> </tbody> </table>	Ø 110 mm	Ref.	DY 894	100015324																			
Ø 110/150 mm	Ref.																													
DY 816	100002356																													
Ø 110 mm	Ref.																													
DY 894	100015324																													
<p>Air/flue gas vent with flashing for flex pipe</p> 	<p>①</p> <table border="1"> <thead> <tr> <th>Ø 110 mm</th> <th>Ref.</th> </tr> </thead> <tbody> <tr> <td>DY 892</td> <td>100015322</td> </tr> </tbody> </table>	Ø 110 mm	Ref.	DY 892	100015322	<p>Adapters for flex pipe</p> 	<p>①</p> <table border="1"> <thead> <tr> <th>Ø 110 mm</th> <th>Ref.</th> </tr> </thead> <tbody> <tr> <td>DY 905</td> <td>100015881</td> </tr> </tbody> </table>	Ø 110 mm	Ref.	DY 905	100015881																			
Ø 110 mm	Ref.																													
DY 892	100015322																													
Ø 110 mm	Ref.																													
DY 905	100015881																													
<p>Stainless steel protection screen for roof outlet</p> 	<p>③④</p> <table border="1"> <thead> <tr> <th>Ø 120 mm</th> <th>Ref.</th> </tr> </thead> <tbody> <tr> <td>-</td> <td>300007173</td> </tr> </tbody> </table>	Ø 120 mm	Ref.	-	300007173	<p>Centering star for flex pipe</p> 	<p>③⑨</p> <table border="1"> <thead> <tr> <th>Ø 110 mm</th> <th>Ref.</th> </tr> </thead> <tbody> <tr> <td>DY 805 (4 pieces)</td> <td>100002282</td> </tr> </tbody> </table>	Ø 110 mm	Ref.	DY 805 (4 pieces)	100002282																			
Ø 120 mm	Ref.																													
-	300007173																													
Ø 110 mm	Ref.																													
DY 805 (4 pieces)	100002282																													

5 CONFIGURATION C₅₃ - SEPARATE AIR AND FLUE GAS PIPES IN ALU (COMBUSTIVE AIR TAKEN FROM OUTSIDE)

MODULENS G®, TWINEO, ELIDENS DTG 130-45,
QUADRODENS, INNOVENS PRO MCA 45, INNOVENS MCA, VIVADENS



⚠ Configuration only allowed in boiler room

Lmax: (LA + LF) max.

connect. Ø (mm)	Equivalent length (m)
80 (Alu)	
87° elbow	1,2
45° elbow	0,9
Straight inspection pipe	0,5
Inspection T	2,8

Lmax: (LA + LF) max.

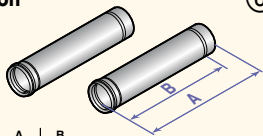
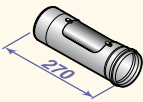
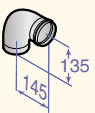
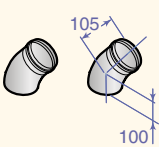
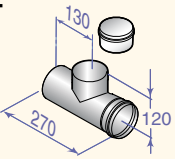
Boiler shown: MCA

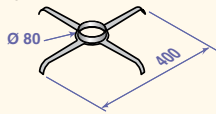
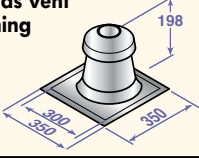

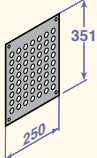
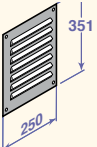
Bi-flow type	with adapter boiler (Ø mm)	Lmax (m)	
		Ø 60/100 to 2 x 80	Ø 80/125 to 2 x 80
QUADRODENS DUC 25		16	-
ELIDENS DTG 130-45 INNOVENS PRO MCA 45		-	20,5
MODULENS G® AGC 10, 15, 25 TWINEO EGC 25 INNOVENS MCA 10, 15, 25		40	-
INNOVENS MCA 25/28 MI, 25/28 BIC		40	-
MODULENS G® AGC 35 INNOVENS MCA 35		32	-
VIVADENS MCR 24		40	-
VIVADENS MCR 24/28 MI VIVADENS MCR 24/28 BIC		40	-
VIVADENS MCR 30/35 MI		30	-
VIVADENS MCR 34/39 MI		32,5	-
	x min	140	140
	Ø (mm)	160	160

⇒ Alu flue systems accessories needed at the very least for connection using separate air/flue gas pipes (bi-flow):

Description	Diagrams with Dimensions/References	Boiler types	QUADRODENS	MODULENS G® AGC, TWINEO EGC, INNOVENS MCA, VIVADENS	ELIDENS DTG 130-45	INNOVENS PRO MCA 45
Bi-flow adapter Ø 60/100 mm to 2 x 80 mm	(14)	DY 723 84887723	X			
Bi-flow adapter Ø 60/100 mm to 2 x 80 mm	(14)	DY 868 100005825		X		
Bi-flow adapter to 2 x 80 mm	(14)	DY 819 100002361			X	
Bi-flow adapter Ø 80/125 mm to 2 x 80 mm	(14)	DY 906 S100762				X
Outside air intake Ø 80 mm	(13)	DY 38 84887438	X	X	X	X
Chimney connection kit Ø 80 mm	(14)	DY 711 84887711	X	X	X	X
Finishing plate for chimney	(18)	DY 757 84887757	X	X	X	X

⇨ Other Alu single flue systems accessories available:

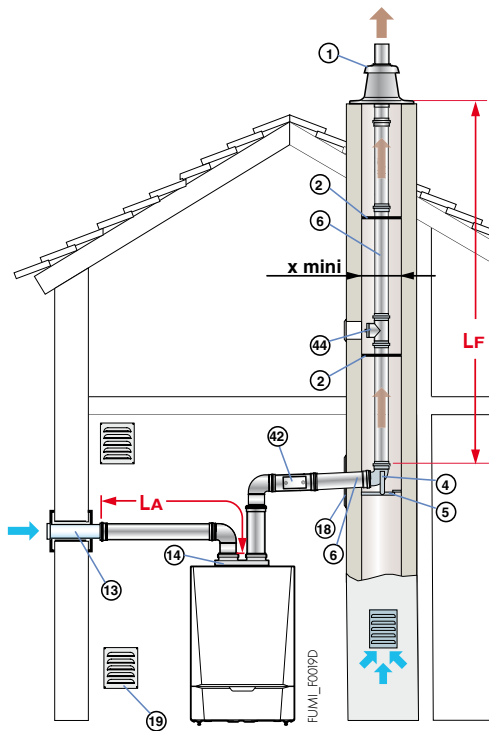
Extension single		⑥	Ø80 mm	L (mm)	Ref.														
																			
<table border="1"> <thead> <tr> <th></th> <th>A</th> <th>B</th> </tr> </thead> <tbody> <tr> <td>DY 604</td> <td>250</td> <td>200</td> </tr> <tr> <td>DY 605</td> <td>500</td> <td>450</td> </tr> <tr> <td>DY 606</td> <td>1000</td> <td>950</td> </tr> <tr> <td>DY 607</td> <td>1950</td> <td>1900</td> </tr> </tbody> </table>			A	B	DY 604	250	200	DY 605	500	450	DY 606	1000	950	DY 607	1950	1900			
	A	B																	
DY 604	250	200																	
DY 605	500	450																	
DY 606	1000	950																	
DY 607	1950	1900																	
			DY 604	250 (2 pieces)	84887604														
			DY 605	500 (2 pieces)	84887605														
			DY 606	1000 (2 pieces)	84887606														
			DY 607	1950 (2 pieces)	84887607														
Inspection pipe single		④2	Ø80 mm		Ref.														
																			
			DY 600		84887600														
87° elbow single		④3	Ø80 mm	Angle	Ref.														
																			
			DY 608	87°	84887608														
			DY 609	45° (2 pieces)	84887609														
45° elbow single																			
																			
Inspection T single		④4	Ø80 mm		Ref.														
																			
			DY 738		84887738														

Centering star		②	Ø80 mm	Ref.
				
			DY 151 (2 pieces)	84887563
Air/flue gas vent with flashing		①	Ø80 mm	Ref.
				
			DY 185	84887600
Stainless steel protection screen for roof outlet		③4	Ø90 mm	Ref.
				
			-	300007172
Ventilation screen interior		①9		Ref.
				
			Interior ventilation screen DY 36	84887436
Ventilation screen exterior				Ref.
				
			Exterior ventilation screen DY 35	84887435

FUW1_F0018

5 CONFIGURATION C₅₃ - SEPARATE AIR AND FLUE GAS PIPES IN ALU (COMBUSTIVE AIR TAKEN FROM OUTSIDE)

ELIDENS DTG 130-65 TO 115, INNOVENS PRO MCA 65 TO 115



⚠ Configuration only allowed in boiler room

L_{max}: (L_A + L_F) max.

connect. Ø (mm)	Equivalent length (m)
100 (Alu)	
87° elbow	5
45° elbow	1,2
Straight inspection pipe	0,5
Inspection T	5,3

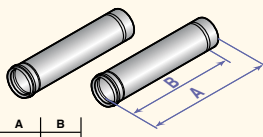
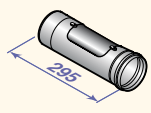
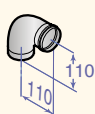
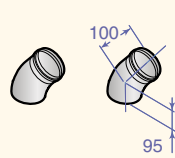
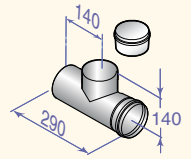
Boiler shown: MCA 65 to 115

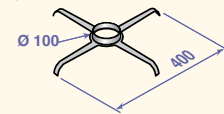
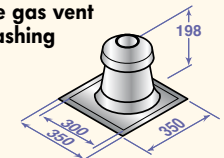

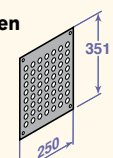
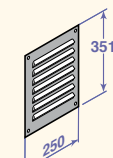
Bi-flow type	with adapter boiler (Ø mm)	L _{max} (m) Ø 100/150 to 2 x 100
ELIDENS DTG 130-65 INNOVENS PRO MCA 65		23
ELIDENS DTG 130-90 INNOVENS PRO MCA 90		17,5
ELIDENS DTG 130-115 INNOVENS PRO MCA 115		16
x mini	▣ (mm)	160
	○ (mm)	180

⇒ Alu flue systems accessories needed at the very least for connection using separate air/flue gas pipes (bi-flow):

Description	Diagrams with Dimensions/References	Boiler types	ELIDENS DTG 130-65 to 115	INNOVENS PRO MCA 65 to 115
			Bi-flow adapter Ø (mm)	100/150 to 2 x 100
Package/Ref.				
Bi-flow adapter Ø 100/150 mm to 2 x 100 mm	(14)	DY 820 100002362	X	
Bi-flow adapter Ø 100/150 mm to 2 x 100 mm	(14)	DY 907 S101626		X
Outside air intake Ø 100 mm	(13)	DY 810 100002285	X	X
Chimney connection kit Ø 100 mm	(633)	DY 633 84887633	X	X
Finishing plate for chimney	(18)	DY 752 84887752	X	X

⇒ Other Alu flue systems accessories available:

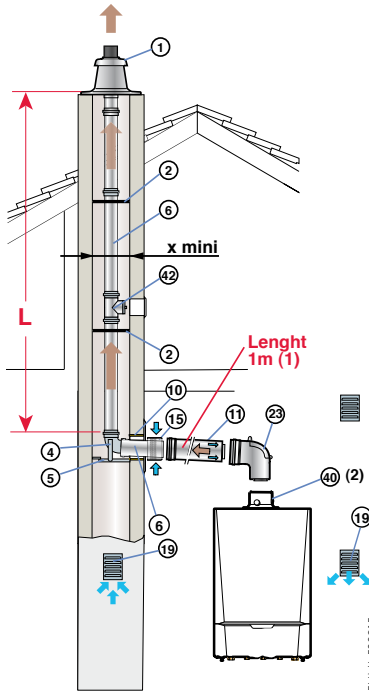
Extension single  <table border="1" data-bbox="159 425 319 515"> <thead> <tr> <th></th> <th>A</th> <th>B</th> </tr> </thead> <tbody> <tr> <td>DY 625</td> <td>500</td> <td>450</td> </tr> <tr> <td>DY 626</td> <td>1000</td> <td>950</td> </tr> <tr> <td>DY 627</td> <td>1950</td> <td>1900</td> </tr> </tbody> </table>		A	B	DY 625	500	450	DY 626	1000	950	DY 627	1950	1900	⑥	Ø 100 mm L (mm) Ref.	DY 625 500 (2 pieces) 84887625 DY 626 1000 (2 pieces) 84887626 DY 627 1950 (2 pieces) 84887627
		A	B												
	DY 625	500	450												
	DY 626	1000	950												
DY 627	1950	1900													
Inspection pipe single 	④2	Ø 100 mm Ref.	DY 624 84887624												
87° elbow single 	④3	Ø 100 mm Angle Ref.	DY 629 87° 84887629 DY 630 45° (2-pieces) 84887630												
45° elbow single 															
Inspection T single 	④4	Ø 100 mm Ref.	DY 739 84887739												

Centering star 	②	Ø 100 mm Ref.	DY 628 (2 pieces) 84887628
Air/flue gas vent with flashing 	①	Ø 100 mm Ref.	DY 189 84887589
Stainless steel protection screen for roof outlet 	③4	Ø 120 mm Ref.	300007173
Ventilation screen interior 	①9	Interior ventilation screen Ref.	DY 36 84887436
exterior 		Exterior ventilation screen Ref.	DY 35 84887435

FUMI_F0020

6 CONFIGURATION B_{23p} - CONNECTION TO A CHIMNEY USING RIGID PPS PIPES (COMBUSTIVE AIR TAKEN FROM THE BOILER ROOM)

MODULENS G®, TWINEO, ELIDENS DTG 130-45,
QUADRODENS, INNOVENS PRO MCA 45, INNOVENS MCA, VIVADENS



connect. Ø (mm)	Equivalent length (m)	
	80	80/125
87° elbow	1,9	1,5
45° elbow	1,2	1,0
30° elbow	0,4	-
15° elbow	0,2	-
Inspection T	4,2	2,7
Straight inspection pipe	0,3	0,6
Inspection elbow	0,7	2,0
Condensates recup.	1,3	0,8

(1) For each additional metre of horizontal conduit, remove 1.2 m from the vertical length Lmax given in the table opposite.
(2) Or location (3) or (36) where appropriate

FUMI_F0021F

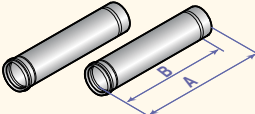
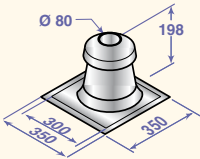
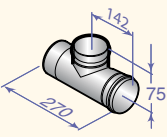

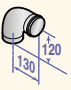
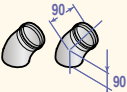
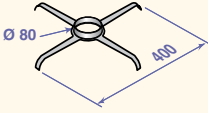
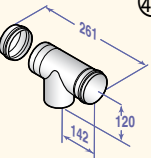

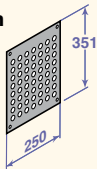
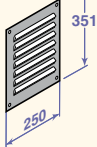
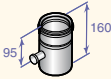
Boiler shown: MCA

Boiler type	connect. Ø		Lmax (m) 80/125 80 rigid
	- in boiler room	- to chimney	
QUADRODENS DUC 25			23
ELIDENS DTG 130-45 INNOVENS PRO MCA 45			23,5
MODULENS G® AGC 10, 15, 25 TWINEO EGC 25 INNOVENS MCA 10, 15, 25			40
INNOVENS MCA 25/28 MI, 25/28 BIC			40
MODULENS G® AGC 35 INNOVENS MCA 35			40
VIVADENS MCR 24			33
VIVADENS MCR 24/28 MI VIVADENS MCR 24/28 BIC			37
VIVADENS MCR 30/35 MI			19
VIVADENS MCR 34/39 MI			33
x mini	□ (mm)		140
	Ø (mm)		160

⇒ PPS flue systems accessories needed at the very least for chimney connection using rigid pipes:

Description	Diagrams with Dimensions/References	Boiler types	ECODENS, SOLNEO, ELIDENS DTG (E) 130/1300-15, 25, QUADRODENS	INNOVENS MCA, VIVADENS	ELIDENS DTG (E) 130/1300-35, ELIDENS DTG 130-45, INNOVENS PRO MCA 45
			connect. Ø (mm) - in boiler room - in chimney	80/125 80	80/125 80
		Package/Ref.			
Boiler connection kit Ø 80/125 mm		DY 913 100017527	X	X	X
Chimney connection kit Ø 80 mm rigid		DY 717 84887717	X	X	X
Adapter Ø 80/125 mm to 60/100 mm		(3) DY 708 84887708	X		
Adapter Ø 80/125 mm		(40) HR 38 S100465		X	
Condensates recuperator Ø 80/125 mm		(36) DY 916 100018981			X

⇒ Other PPS single flue systems accessories available:

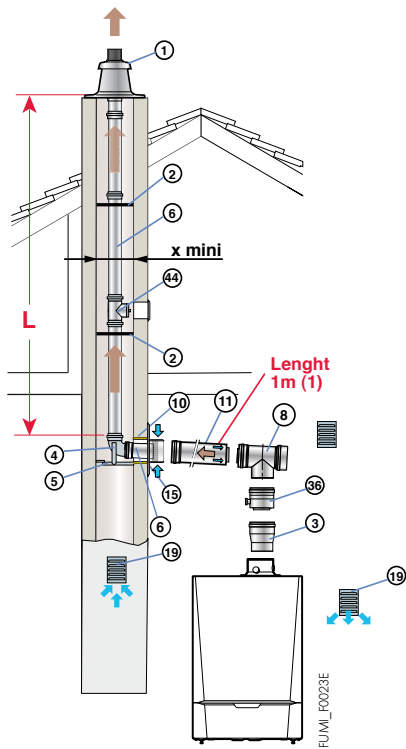
<p>Single extension ⑥</p>  <table border="1" data-bbox="159 436 303 548"> <thead> <tr> <th></th> <th>A</th> <th>B</th> </tr> </thead> <tbody> <tr> <td>DY 613</td> <td>250</td> <td>200</td> </tr> <tr> <td>DY 614</td> <td>500</td> <td>450</td> </tr> <tr> <td>DY 615</td> <td>1000</td> <td>950</td> </tr> <tr> <td>DY 150</td> <td>1950</td> <td>1900</td> </tr> </tbody> </table>		A	B	DY 613	250	200	DY 614	500	450	DY 615	1000	950	DY 150	1950	1900	<table border="1"> <thead> <tr> <th>Ø 80 mm</th> <th>L (mm)</th> <th>Ref.</th> </tr> </thead> <tbody> <tr> <td>DY 613</td> <td>250 (2 pieces)</td> <td>84887613</td> </tr> <tr> <td>DY 614</td> <td>500 (2 pieces)</td> <td>84887614</td> </tr> <tr> <td>DY 615</td> <td>1000 (2 pieces)</td> <td>84887615</td> </tr> <tr> <td>DY 150</td> <td>1950 (2 pieces)</td> <td>84887550</td> </tr> </tbody> </table>	Ø 80 mm	L (mm)	Ref.	DY 613	250 (2 pieces)	84887613	DY 614	500 (2 pieces)	84887614	DY 615	1000 (2 pieces)	84887615	DY 150	1950 (2 pieces)	84887550	<p>Air/flue gas vent with flashing ①</p>  <table border="1"> <thead> <tr> <th>Ø 80 mm</th> <th>Ref.</th> </tr> </thead> <tbody> <tr> <td>DY 185</td> <td>84887585</td> </tr> </tbody> </table>	Ø 80 mm	Ref.	DY 185	84887585
	A	B																																		
DY 613	250	200																																		
DY 614	500	450																																		
DY 615	1000	950																																		
DY 150	1950	1900																																		
Ø 80 mm	L (mm)	Ref.																																		
DY 613	250 (2 pieces)	84887613																																		
DY 614	500 (2 pieces)	84887614																																		
DY 615	1000 (2 pieces)	84887615																																		
DY 150	1950 (2 pieces)	84887550																																		
Ø 80 mm	Ref.																																			
DY 185	84887585																																			
<p>Inspection sleeve single ④②</p>  <table border="1"> <thead> <tr> <th>Ø 80 mm</th> <th>Ref.</th> </tr> </thead> <tbody> <tr> <td>DY 146</td> <td>84887546</td> </tr> </tbody> </table>	Ø 80 mm	Ref.	DY 146	84887546	<table border="1"> <thead> <tr> <th>Ø 80 mm</th> <th>Ref.</th> </tr> </thead> <tbody> <tr> <td>DY 146</td> <td>84887546</td> </tr> </tbody> </table>	Ø 80 mm	Ref.	DY 146	84887546	<p>Stainless steel protection screen for roof outlet ③④</p>  <table border="1"> <thead> <tr> <th>Ø 90 mm</th> <th>Ref.</th> </tr> </thead> <tbody> <tr> <td>-</td> <td>300007172</td> </tr> </tbody> </table>	Ø 90 mm	Ref.	-	300007172																						
Ø 80 mm	Ref.																																			
DY 146	84887546																																			
Ø 80 mm	Ref.																																			
DY 146	84887546																																			
Ø 90 mm	Ref.																																			
-	300007172																																			
<p>Single elbow at 87° ④③</p>  <p>Single elbow at 45°</p>  <table border="1"> <thead> <tr> <th>Ø 80 mm</th> <th>Angle</th> <th>Ref.</th> </tr> </thead> <tbody> <tr> <td>DY 152</td> <td>87°</td> <td>84887552</td> </tr> <tr> <td>DY 154</td> <td>45° (2-pieces)</td> <td>84887554</td> </tr> </tbody> </table>	Ø 80 mm	Angle	Ref.	DY 152	87°	84887552	DY 154	45° (2-pieces)	84887554	<table border="1"> <thead> <tr> <th>Ø 80 mm</th> <th>Angle</th> <th>Ref.</th> </tr> </thead> <tbody> <tr> <td>DY 152</td> <td>87°</td> <td>84887552</td> </tr> <tr> <td>DY 154</td> <td>45° (2-pieces)</td> <td>84887554</td> </tr> </tbody> </table>	Ø 80 mm	Angle	Ref.	DY 152	87°	84887552	DY 154	45° (2-pieces)	84887554	<p>Centering star ②</p>  <table border="1"> <thead> <tr> <th>Ø 80 mm</th> <th>Ref.</th> </tr> </thead> <tbody> <tr> <td>DY 151 (2 pieces)</td> <td>84887551</td> </tr> </tbody> </table>	Ø 80 mm	Ref.	DY 151 (2 pieces)	84887551												
Ø 80 mm	Angle	Ref.																																		
DY 152	87°	84887552																																		
DY 154	45° (2-pieces)	84887554																																		
Ø 80 mm	Angle	Ref.																																		
DY 152	87°	84887552																																		
DY 154	45° (2-pieces)	84887554																																		
Ø 80 mm	Ref.																																			
DY 151 (2 pieces)	84887551																																			
<p>Inspection T single ④④</p>  <p>Inspection elbow single ④⑤</p>  <table border="1"> <thead> <tr> <th>Ø 80 mm</th> <th>Ref.</th> </tr> </thead> <tbody> <tr> <td>DY 163</td> <td>84887563</td> </tr> </tbody> </table>	Ø 80 mm	Ref.	DY 163	84887563	<table border="1"> <thead> <tr> <th>Ø 80 mm</th> <th>Ref.</th> </tr> </thead> <tbody> <tr> <td>DY 163</td> <td>84887563</td> </tr> </tbody> </table>	Ø 80 mm	Ref.	DY 163	84887563	<p>Ventilation screen interior ①⑨</p>  <p>exterior</p>  <table border="1"> <thead> <tr> <th>Interior ventilation screen</th> <th>Ref.</th> </tr> </thead> <tbody> <tr> <td>DY 36</td> <td>84887436</td> </tr> </tbody> </table> <table border="1"> <thead> <tr> <th>Exterior ventilation screen</th> <th>Ref.</th> </tr> </thead> <tbody> <tr> <td>DY 35</td> <td>84887435</td> </tr> </tbody> </table>	Interior ventilation screen	Ref.	DY 36	84887436	Exterior ventilation screen	Ref.	DY 35	84887435																		
Ø 80 mm	Ref.																																			
DY 163	84887563																																			
Ø 80 mm	Ref.																																			
DY 163	84887563																																			
Interior ventilation screen	Ref.																																			
DY 36	84887436																																			
Exterior ventilation screen	Ref.																																			
DY 35	84887435																																			
<p>Condensates recuperator ③⑥</p>  <table border="1"> <thead> <tr> <th>Ø 80 mm</th> <th>Ref.</th> </tr> </thead> <tbody> <tr> <td>DY 919</td> <td>100018985</td> </tr> </tbody> </table>	Ø 80 mm	Ref.	DY 919	100018985	<table border="1"> <thead> <tr> <th>Ø 80 mm</th> <th>Ref.</th> </tr> </thead> <tbody> <tr> <td>DY 919</td> <td>100018985</td> </tr> </tbody> </table>	Ø 80 mm	Ref.	DY 919	100018985																											
Ø 80 mm	Ref.																																			
DY 919	100018985																																			
Ø 80 mm	Ref.																																			
DY 919	100018985																																			

FUJMI_F0022A

⇒ Ø 80/125 mm concentric Alu/PPs flue systems accessories available : see page 25

6 CONFIGURATION B_{23p} - CONNECTION TO A CHIMNEY USING RIGID PPS PIPES (COMBUSTIVE AIR TAKEN FROM THE BOILER ROOM)

ELIDENS DTG 130-65 TO 115, INNOVENS PRO MCA 65 TO 115



connect. Ø (mm)	Equivalent length (m)	
	110	110/150
87° elbow	4,9	3,7
45° elbow	1,1	1,0
Inspection elbow	4,8	-
Inspection T	5,6	2,5
Straight inspection pipe	-	1,0
Condensates temp.	0,1	0,6

(1) For each additional metre of horizontal conduit, remove 1.2 m from the vertical length Lmax given in the table opposite.

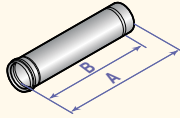
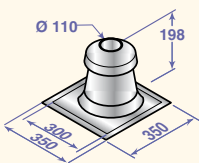
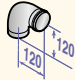
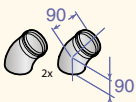

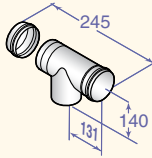
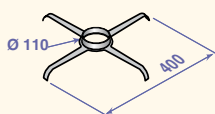
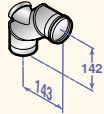
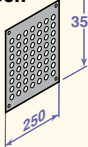
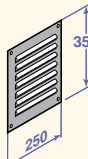
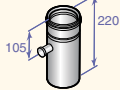
Boiler shown: MCA 65 to 11

Boiler type	connect Ø - in boiler room - to chimney	Lmax (m)
		110/150 110 rigid
ELIDENS DTG 130-65 INNOVENS PRO MCA 65		40
ELIDENS DTG 130-90 INNOVENS PRO MCA 90		40
ELIDENS DTG 130-115 INNOVENS PRO MCA 115		40
x mini	▣ (mm)	170
	○ (mm)	190

⇒ PPS flue systems accessories needed at the very least for chimney connection using rigid pipes:

Description	Diagrams with Dimensions/References	Boiler types	ELIDENS DTG 130-65 to 115, INNOVENS PRO MCA 65 to 115
		connect. Ø (mm)	
		- in boiler room	110/150
		- in chimney	110
Package/Ref.			
Boiler connection kit Ø 110/150 mm		DY 914 100017529	X
Chimney connection kit Ø 110 mm rigid		DY 177 84887577	X
Condensates temperator Ø 110/150 mm		③⑥ DY 918 100018984	X
Adapter Ø 110/150 mm to 100/150 mm		③ DY 817 100002357	X

⇒ Other PPS single flue systems accessories available:

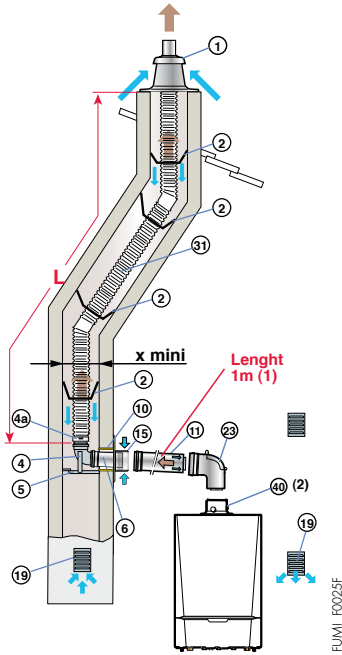
<p>Single extension</p>  <table border="1" data-bbox="156 427 300 510"> <thead> <tr> <th></th> <th>A</th> <th>B</th> </tr> </thead> <tbody> <tr> <td>DY 180</td> <td>500</td> <td>450</td> </tr> <tr> <td>DY 179</td> <td>1000</td> <td>950</td> </tr> <tr> <td>DY 178</td> <td>1950</td> <td>1900</td> </tr> </tbody> </table>		A	B	DY 180	500	450	DY 179	1000	950	DY 178	1950	1900	<p>⑥</p> <table border="1"> <thead> <tr> <th>Ø 110 mm</th> <th>L (mm)</th> <th>Ref.</th> </tr> </thead> <tbody> <tr> <td>DY 180</td> <td>500</td> <td>84887580</td> </tr> <tr> <td>DY 179</td> <td>1000</td> <td>84887579</td> </tr> <tr> <td>DY 178</td> <td>1000</td> <td>84887578</td> </tr> </tbody> </table>	Ø 110 mm	L (mm)	Ref.	DY 180	500	84887580	DY 179	1000	84887579	DY 178	1000	84887578	<p>Air/flue gas vent with flashing</p> 	<p>①</p> <table border="1"> <thead> <tr> <th>Ø 110 mm</th> <th>Ref.</th> </tr> </thead> <tbody> <tr> <td>DY 189</td> <td>84887588</td> </tr> </tbody> </table>	Ø 110 mm	Ref.	DY 189	84887588
	A	B																													
DY 180	500	450																													
DY 179	1000	950																													
DY 178	1950	1900																													
Ø 110 mm	L (mm)	Ref.																													
DY 180	500	84887580																													
DY 179	1000	84887579																													
DY 178	1000	84887578																													
Ø 110 mm	Ref.																														
DY 189	84887588																														
<p>Single elbow at 87°</p>  <p>Single elbow at 45°</p> 	<p>④③</p> <table border="1"> <thead> <tr> <th>Ø 110 mm</th> <th>Angle</th> <th>Ref.</th> </tr> </thead> <tbody> <tr> <td>DY 181</td> <td>87°</td> <td>84887581</td> </tr> <tr> <td>DY 182</td> <td>45° (2-pieces)</td> <td>84887582</td> </tr> </tbody> </table>	Ø 110 mm	Angle	Ref.	DY 181	87°	84887581	DY 182	45° (2-pieces)	84887582	<p>Stainless steel protection screen for roof outlet</p> 	<p>③④</p> <table border="1"> <thead> <tr> <th>Ø 120 mm</th> <th>Ref.</th> </tr> </thead> <tbody> <tr> <td></td> <td>300007173</td> </tr> </tbody> </table>	Ø 120 mm	Ref.		300007173															
Ø 110 mm	Angle	Ref.																													
DY 181	87°	84887581																													
DY 182	45° (2-pieces)	84887582																													
Ø 120 mm	Ref.																														
	300007173																														
<p>Inspection T single</p> 	<p>④④</p> <table border="1"> <thead> <tr> <th>Ø 110 mm</th> <th>Ref.</th> </tr> </thead> <tbody> <tr> <td>DY 183</td> <td>84887583</td> </tr> </tbody> </table>	Ø 110 mm	Ref.	DY 183	84887583	<p>Centering star</p> 	<p>②</p> <table border="1"> <thead> <tr> <th>Ø 110 mm</th> <th>Ref.</th> </tr> </thead> <tbody> <tr> <td>DY 187 (2 pieces)</td> <td>84887587</td> </tr> </tbody> </table>	Ø 110 mm	Ref.	DY 187 (2 pieces)	84887587																				
Ø 110 mm	Ref.																														
DY 183	84887583																														
Ø 110 mm	Ref.																														
DY 187 (2 pieces)	84887587																														
<p>Inspection elbow single</p> 	<p>④⑤</p> <table border="1"> <thead> <tr> <th>Ø 110 mm</th> <th>Ref.</th> </tr> </thead> <tbody> <tr> <td>DY 188</td> <td>84887588</td> </tr> </tbody> </table>	Ø 110 mm	Ref.	DY 188	84887588	<p>Ventilation screen interior</p>  <p>exterior</p> 	<p>①⑨</p> <table border="1"> <thead> <tr> <th>Interior ventilation screen</th> <th>Ref.</th> </tr> </thead> <tbody> <tr> <td>DY 36</td> <td>84887436</td> </tr> <tr> <th>Exterior ventilation screen</th> <th>Ref.</th> </tr> <tr> <td>DY 35</td> <td>84887435</td> </tr> </tbody> </table>	Interior ventilation screen	Ref.	DY 36	84887436	Exterior ventilation screen	Ref.	DY 35	84887435																
Ø 110 mm	Ref.																														
DY 188	84887588																														
Interior ventilation screen	Ref.																														
DY 36	84887436																														
Exterior ventilation screen	Ref.																														
DY 35	84887435																														
<p>Condensates recuperator</p> 	<p>③⑥</p> <table border="1"> <thead> <tr> <th>Ø 110 mm</th> <th>Ref.</th> </tr> </thead> <tbody> <tr> <td>DY 917</td> <td>100018983</td> </tr> </tbody> </table>	Ø 110 mm	Ref.	DY 917	100018983																										
Ø 110 mm	Ref.																														
DY 917	100018983																														

FUJMI_F0024A

⇒ Ø 110/150 mm concentric Alu/PPs flue systems accessories : see page 27

6 CONFIGURATION B_{23p} - CONNECTION TO A CHIMNEY USING PPS PIPES (COMBUSTIVE AIR TAKEN FROM THE BOILER ROOM)

MODULENS G®, TWINEO, ELIDENS DTG 130-45,
QUADRODENS, INNOVENS PRO MCA 45, INNOVENS MCA, VIVADENS



connect. Ø (mm)	Equivalent length (m)		
	80 rigid	80 flex	80/125
87° elbow	1,9	-	1,5
45° elbow	1,2	-	1,0
30° elbow	0,4	-	-
15° elbow	0,2	-	-
Inspection T	4,2	-	2,7
Straight inspection pipe	0,3	0,3	0,6
Inspection elbow	0,7	-	2,0
Condensates recup.	1,3	-	0,8

(1) For each additional metre of horizontal conduit, remove 1.2 m from the vertical length Lmax given in the table opposite.
(2) Or location ③ or ③Ⓐ where appropriate

Boiler shown: MCA

Boiler type	connect. Ø (mm)	Lmax (m)
	- in boiler room - to chimney	
QUADRODENS DUC 25		40 (*)
ELIDENS DTG 130-45 INNOVENS PRO MCA 45		21
MODULENS G® AGC 10, 15, 25 TWINEO EGC 25 INNOVENS MCA 10, 15, 25		40 (*)
INNOVENS MCA 25/28 MI, INNOVENS MCA 25/28 BIC		40 (*)
MODULENS G® AGC 35 INNOVENS MCA 35		28 (*)
VIVADENS MCR 24		23
VIVADENS MCR 24/28 MI VIVADENS MCR 24/28 BIC		27 (*)
VIVADENS MCR 30/35 MI		22,5
VIVADENS MCR 34/39 MI		24,5
x mini	□ (mm)	140
	∅ (mm)	160

(*) ⚠ The max height in the flue gas conduit from the support elbow to the outlet must not exceed 25 m (PPS flex). If greater lengths are used, fastening clamps should be added every 25 m.

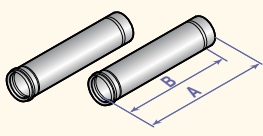
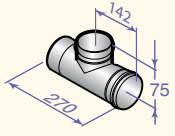
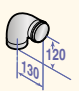
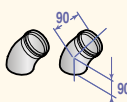
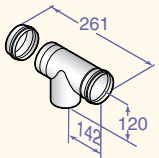
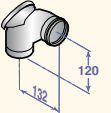
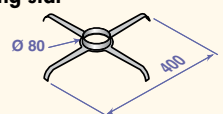

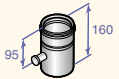
⇒ PPS flue systems accessories needed at the very least for connection to the chimney using rigid pipes in the boiler room and flex pipes in the chimney in configuration B_{23p}

Description	Diagrams with Dimensions/References	Boiler types	QUADRODENS, VIVADENS	MODULENS G® AGC, TWINEO EGC, INNOVENS MCA	ELIDENS DTG 130-45, INNOVENS PRO MCA 45
			connect. Ø (mm)	80/125	80/125
			- in boiler room	80	80
			- in chimney	80	80
		Package/Ref.			
Boiler connection kit Ø 80/125 mm		DY 913 100017527	X	X	X
Chimney connection kit Ø 80 mm flex		DY 895 100015325	X	X	X
Adapter Ø 80/125 mm to 60/100 mm		③ DY 708 84887708	X		
Adapter Ø 80/125 mm		④ HR 38 S100465		X	
Condensates temperator Ø 80/125 mm		③Ⓐ DY 916 100018981			X
Flex pipe Ø 80 mm L 12.5 m (1)		③Ⓛ DY 897 100015327	X	X	X

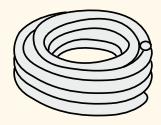
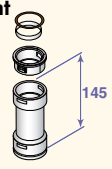
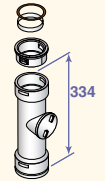
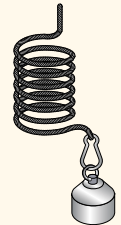
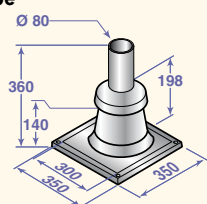
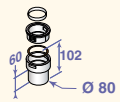

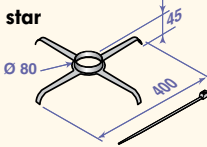
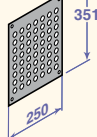
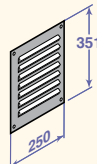
(1) other flex pipe lengths available - see next page

RIGID IN THE BOILER ROOM AND FLEX IN THE CHIMNEY

⇒ Other PPS single flue systems accessories available:

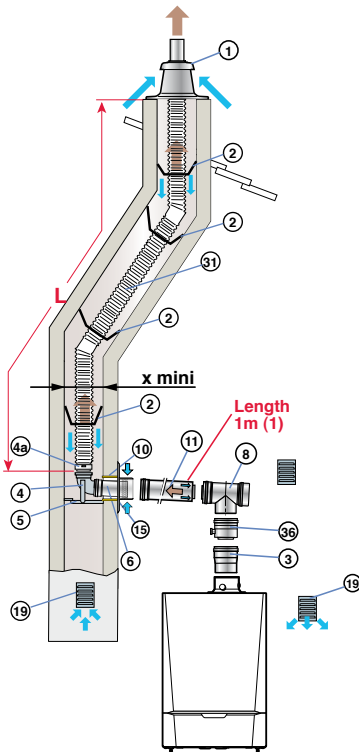
Single extension ⑥  <table border="1" style="width: 100%; border-collapse: collapse;"> <thead> <tr> <th></th> <th>A</th> <th>B</th> </tr> </thead> <tbody> <tr> <td>DY 613</td> <td>250</td> <td>200</td> </tr> <tr> <td>DY 614</td> <td>500</td> <td>450</td> </tr> <tr> <td>DY 615</td> <td>1000</td> <td>950</td> </tr> <tr> <td>DY 150</td> <td>1950</td> <td>1900</td> </tr> </tbody> </table>		A	B	DY 613	250	200	DY 614	500	450	DY 615	1000	950	DY 150	1950	1900	<table border="1" style="width: 100%; border-collapse: collapse;"> <thead> <tr> <th>Ø 80 mm</th> <th>L (mm)</th> <th>Ref.</th> </tr> </thead> <tbody> <tr> <td>DY 613</td> <td>250 (2 pieces)</td> <td>84887613</td> </tr> <tr> <td>DY 614</td> <td>500 (2 pieces)</td> <td>84887614</td> </tr> <tr> <td>DY 615</td> <td>1000 (2 pieces)</td> <td>84887615</td> </tr> <tr> <td>DY 150</td> <td>1950 (2 pieces)</td> <td>84887550</td> </tr> </tbody> </table>	Ø 80 mm	L (mm)	Ref.	DY 613	250 (2 pieces)	84887613	DY 614	500 (2 pieces)	84887614	DY 615	1000 (2 pieces)	84887615	DY 150	1950 (2 pieces)	84887550
	A	B																													
DY 613	250	200																													
DY 614	500	450																													
DY 615	1000	950																													
DY 150	1950	1900																													
Ø 80 mm	L (mm)	Ref.																													
DY 613	250 (2 pieces)	84887613																													
DY 614	500 (2 pieces)	84887614																													
DY 615	1000 (2 pieces)	84887615																													
DY 150	1950 (2 pieces)	84887550																													
Single inspection sleeve ④② 	<table border="1" style="width: 100%; border-collapse: collapse;"> <thead> <tr> <th>Ø 80 mm</th> <th>Ref.</th> </tr> </thead> <tbody> <tr> <td>DY 146</td> <td>84887546</td> </tr> </tbody> </table>	Ø 80 mm	Ref.	DY 146	84887546																										
Ø 80 mm	Ref.																														
DY 146	84887546																														
Single elbow at 87° ④③  Single elbow at 45° 	<table border="1" style="width: 100%; border-collapse: collapse;"> <thead> <tr> <th>Ø 80 mm</th> <th>Angle</th> <th>Ref.</th> </tr> </thead> <tbody> <tr> <td>DY 152</td> <td>87°</td> <td>84887552</td> </tr> <tr> <td>DY 154</td> <td>45° (2-pieces)</td> <td>84887554</td> </tr> </tbody> </table>	Ø 80 mm	Angle	Ref.	DY 152	87°	84887552	DY 154	45° (2-pieces)	84887554																					
Ø 80 mm	Angle	Ref.																													
DY 152	87°	84887552																													
DY 154	45° (2-pieces)	84887554																													
Inspection T single ④④ 	<table border="1" style="width: 100%; border-collapse: collapse;"> <thead> <tr> <th>Ø 80 mm</th> <th>Ref.</th> </tr> </thead> <tbody> <tr> <td>DY 163</td> <td>84887563</td> </tr> </tbody> </table>	Ø 80 mm	Ref.	DY 163	84887563																										
Ø 80 mm	Ref.																														
DY 163	84887563																														
Inspection elbow single ④⑤ 	<table border="1" style="width: 100%; border-collapse: collapse;"> <thead> <tr> <th>Ø 80 mm</th> <th>Ref.</th> </tr> </thead> <tbody> <tr> <td>DY 877</td> <td>100008301</td> </tr> </tbody> </table>	Ø 80 mm	Ref.	DY 877	100008301																										
Ø 80 mm	Ref.																														
DY 877	100008301																														
Centering star ② 	<table border="1" style="width: 100%; border-collapse: collapse;"> <thead> <tr> <th>Ø 80 mm</th> <th>Ref.</th> </tr> </thead> <tbody> <tr> <td>DY 151 (2 pieces)</td> <td>84887551</td> </tr> </tbody> </table>	Ø 80 mm	Ref.	DY 151 (2 pieces)	84887551																										
Ø 80 mm	Ref.																														
DY 151 (2 pieces)	84887551																														
Stainless steel protection screen for roof outlet ③④ 	<table border="1" style="width: 100%; border-collapse: collapse;"> <thead> <tr> <th>Ø 90 mm</th> <th>Ref.</th> </tr> </thead> <tbody> <tr> <td>-</td> <td>300007172</td> </tr> </tbody> </table>	Ø 90 mm	Ref.	-	300007172																										
Ø 90 mm	Ref.																														
-	300007172																														
Condensates recuperator ③⑥ 	<table border="1" style="width: 100%; border-collapse: collapse;"> <thead> <tr> <th>Ø 80 mm</th> <th>Ref.</th> </tr> </thead> <tbody> <tr> <td>DY 919</td> <td>100018985</td> </tr> </tbody> </table>	Ø 80 mm	Ref.	DY 919	100018985																										
Ø 80 mm	Ref.																														
DY 919	100018985																														

⇒ Ø 80/125 mm concentric Alu/PPs flue systems accessories available : see page 25

Flex pipe ③① 	<table border="1" style="width: 100%; border-collapse: collapse;"> <thead> <tr> <th>Ø 80 mm</th> <th>L (m)</th> <th>Ref.</th> </tr> </thead> <tbody> <tr> <td>DY 897</td> <td>12,5</td> <td>100015327</td> </tr> <tr> <td>DY 896</td> <td>50</td> <td>100015326</td> </tr> </tbody> </table>	Ø 80 mm	L (m)	Ref.	DY 897	12,5	100015327	DY 896	50	100015326
Ø 80 mm	L (m)	Ref.								
DY 897	12,5	100015327								
DY 896	50	100015326								
Coupling component for flex pipe ③② 	<table border="1" style="width: 100%; border-collapse: collapse;"> <thead> <tr> <th>Ø 80 mm</th> <th>Ref.</th> </tr> </thead> <tbody> <tr> <td>DY 898</td> <td>100015328</td> </tr> </tbody> </table>	Ø 80 mm	Ref.	DY 898	100015328					
Ø 80 mm	Ref.									
DY 898	100015328									
Inspection pipe for flex pipe ③⑧ 	<table border="1" style="width: 100%; border-collapse: collapse;"> <thead> <tr> <th>Ø 80 mm</th> <th>Ref.</th> </tr> </thead> <tbody> <tr> <td>DY 900</td> <td>100015330</td> </tr> </tbody> </table>	Ø 80 mm	Ref.	DY 900	100015330					
Ø 80 mm	Ref.									
DY 900	100015330									
Insertion tool for flex pipe ③③ 	<table border="1" style="width: 100%; border-collapse: collapse;"> <thead> <tr> <th>Ø 80 mm</th> <th>Ref.</th> </tr> </thead> <tbody> <tr> <td>DY 901</td> <td>100015331</td> </tr> </tbody> </table>	Ø 80 mm	Ref.	DY 901	100015331					
Ø 80 mm	Ref.									
DY 901	100015331									
Air/flue gas vent with flashing for flex pipe ① 	<table border="1" style="width: 100%; border-collapse: collapse;"> <thead> <tr> <th>Ø 80 mm</th> <th>Ref.</th> </tr> </thead> <tbody> <tr> <td>DY 899</td> <td>100015329</td> </tr> </tbody> </table>	Ø 80 mm	Ref.	DY 899	100015329					
Ø 80 mm	Ref.									
DY 899	100015329									
Adapters for flex pipe 	<table border="1" style="width: 100%; border-collapse: collapse;"> <thead> <tr> <th>Ø 80 mm</th> <th>Ref.</th> </tr> </thead> <tbody> <tr> <td>DY 904</td> <td>100015880</td> </tr> </tbody> </table>	Ø 80 mm	Ref.	DY 904	100015880					
Ø 80 mm	Ref.									
DY 904	100015880									
Stainless steel protection screen for roof outlet ③④ 	<table border="1" style="width: 100%; border-collapse: collapse;"> <thead> <tr> <th>Ø 90 mm</th> <th>Ref.</th> </tr> </thead> <tbody> <tr> <td>-</td> <td>300007172</td> </tr> </tbody> </table>	Ø 90 mm	Ref.	-	300007172					
Ø 90 mm	Ref.									
-	300007172									
Centering star for flex pipe ③⑨ 	<table border="1" style="width: 100%; border-collapse: collapse;"> <thead> <tr> <th>Ø 80 mm</th> <th>Ref.</th> </tr> </thead> <tbody> <tr> <td>DY 618 (2 pieces)</td> <td>84887618</td> </tr> </tbody> </table>	Ø 80 mm	Ref.	DY 618 (2 pieces)	84887618					
Ø 80 mm	Ref.									
DY 618 (2 pieces)	84887618									
Ventilation screen interior ①⑨ 	<table border="1" style="width: 100%; border-collapse: collapse;"> <thead> <tr> <th>Interior ventilation screen</th> <th>Ref.</th> </tr> </thead> <tbody> <tr> <td>DY 36</td> <td>84887436</td> </tr> </tbody> </table>	Interior ventilation screen	Ref.	DY 36	84887436					
Interior ventilation screen	Ref.									
DY 36	84887436									
Ventilation screen exterior 	<table border="1" style="width: 100%; border-collapse: collapse;"> <thead> <tr> <th>Exterior ventilation screen</th> <th>Ref.</th> </tr> </thead> <tbody> <tr> <td>DY 35</td> <td>84887435</td> </tr> </tbody> </table>	Exterior ventilation screen	Ref.	DY 35	84887435					
Exterior ventilation screen	Ref.									
DY 35	84887435									

6 CONFIGURATION B_{23p} - CONNECTION TO A CHIMNEY USING PPS PIPES (COMBUSTIVE AIR TAKEN FROM THE BOILER ROOM)

ELIDENS DTG 130-65 TO 115, INNOVENS PRO MCA 65 TO 115



(I) For each additional metre of horizontal conduit, remove 1.2 m from the vertical length Lmax given in the table opposite.

connect. Ø (mm)	Equivalent length (m)		
	110 rigid	110 flex	110/150
87° elbow	4,9	-	3,7
45° elbow	1,1	-	1,0
Inspection elbow	4,8	-	-
Straight inspection pipe	-	0,5	1,0
Inspection T	5,6	-	2,5
Condensates recup.	0,1	-	0,6

Boiler shown: MCA

Boiler type	connect. Ø (mm)	Lmax (m)
	- in boiler room - to chimney	110/150 110 flex
ELIDENS DTG 130-65 INNOVENS PRO MCA 65		29,5 (*)
ELIDENS DTG 130-90 INNOVENS PRO MCA 90		24
ELIDENS DTG 130-115 INNOVENS PRO MCA 115		17,5
x min	∇ (mm)	170
	Ø (mm)	190

(*) ⚠ The max height in the flue gas conduit from the support elbow to the outlet must not exceed 25 m (PPS flex). If greater lengths are used, fastening clamps should be added every 25 m.

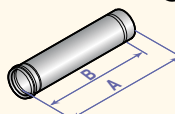
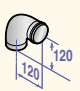
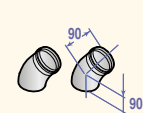
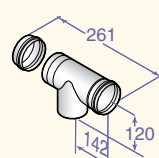
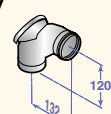
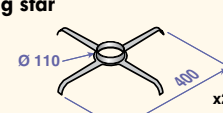

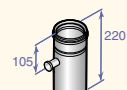
⇒ PPS flue systems accessories needed at the very least for connection to the chimney using rigid pipes in the boiler room and flex pipes in the chimney:

Description	Diagrams with Dimensions/References	Boiler types	ELIDENS DTG 130-65 to 115, INNOVENS PRO MCA 65 to 115
		connect. Ø - in boiler room (mm)	110/150 - in chimney 110
		Package/Ref.	
Boiler connection kit Ø 110/150 mm		DY 914 100017529	X
Chimney connection kit Ø 110 mm flex		DY 888 100015287	X
Condensates recuperator Ø 110/150 mm		DY 918 100018984	X
Adapter Ø 110/150 mm to 100/150 mm		DY 817 100002357	X
Flex pipe Ø 110 mm L 15 m (I)		DY 889 100015288	X

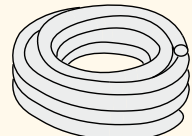
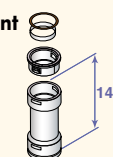
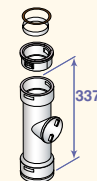

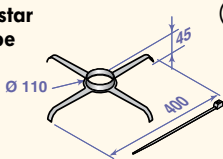
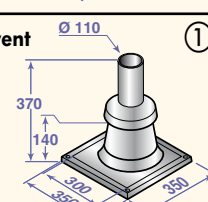


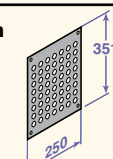
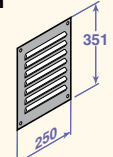
(I) other flex pipe lengths available - see next page

RIGID IN THE BOILER ROOM AND FLEX IN THE CHIMNEY

⇒ Other PPS single flue systems accessories available:

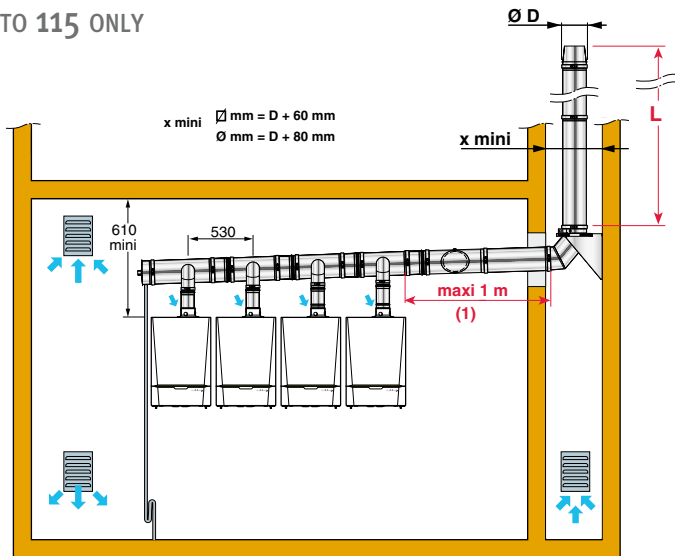
Single extension ⑥  <table border="1"> <thead> <tr> <th></th> <th>A</th> <th>B</th> </tr> </thead> <tbody> <tr> <td>DY 180</td> <td>500</td> <td>450</td> </tr> <tr> <td>DY 179</td> <td>1000</td> <td>950</td> </tr> <tr> <td>DY 178</td> <td>1950</td> <td>1900</td> </tr> </tbody> </table>		A	B	DY 180	500	450	DY 179	1000	950	DY 178	1950	1900	<table border="1"> <thead> <tr> <th>Ø 110 mm</th> <th>L (mm)</th> <th>Ref.</th> </tr> </thead> <tbody> <tr> <td>DY 180</td> <td>500</td> <td>84887580</td> </tr> <tr> <td>DY 179</td> <td>1000</td> <td>84887579</td> </tr> <tr> <td>DY 178</td> <td>1950</td> <td>84887578</td> </tr> </tbody> </table>	Ø 110 mm	L (mm)	Ref.	DY 180	500	84887580	DY 179	1000	84887579	DY 178	1950	84887578
	A	B																							
DY 180	500	450																							
DY 179	1000	950																							
DY 178	1950	1900																							
Ø 110 mm	L (mm)	Ref.																							
DY 180	500	84887580																							
DY 179	1000	84887579																							
DY 178	1950	84887578																							
Single elbow at 87° ④3  Single elbow at 45° 	<table border="1"> <thead> <tr> <th>Ø 110 mm</th> <th>Angle</th> <th>Ref.</th> </tr> </thead> <tbody> <tr> <td>DY 181</td> <td>87°</td> <td>84887581</td> </tr> <tr> <td>DY 182</td> <td>45° (2-pieces)</td> <td>84887582</td> </tr> </tbody> </table>	Ø 110 mm	Angle	Ref.	DY 181	87°	84887581	DY 182	45° (2-pieces)	84887582															
Ø 110 mm	Angle	Ref.																							
DY 181	87°	84887581																							
DY 182	45° (2-pieces)	84887582																							
Inspection T single ④2 	<table border="1"> <thead> <tr> <th>Ø 110 mm</th> <th>Ref.</th> </tr> </thead> <tbody> <tr> <td>DY 183</td> <td>84887583</td> </tr> </tbody> </table>	Ø 110 mm	Ref.	DY 183	84887583																				
Ø 110 mm	Ref.																								
DY 183	84887583																								
Inspection elbow single ④5 	<table border="1"> <thead> <tr> <th>Ø 110 mm</th> <th>Ref.</th> </tr> </thead> <tbody> <tr> <td>DY 188</td> <td>84887588</td> </tr> </tbody> </table>	Ø 110 mm	Ref.	DY 188	84887588																				
Ø 110 mm	Ref.																								
DY 188	84887588																								
Centering star ② 	<table border="1"> <thead> <tr> <th>Ø 110 mm</th> <th>Ref.</th> </tr> </thead> <tbody> <tr> <td>DY 187 (2 pieces)</td> <td>84887587</td> </tr> </tbody> </table>	Ø 110 mm	Ref.	DY 187 (2 pieces)	84887587																				
Ø 110 mm	Ref.																								
DY 187 (2 pieces)	84887587																								
Stainless steel protection screen for roof outlet ③4 	<table border="1"> <thead> <tr> <th>Ø 120 mm</th> <th>Ref.</th> </tr> </thead> <tbody> <tr> <td>-</td> <td>300007173</td> </tr> </tbody> </table>	Ø 120 mm	Ref.	-	300007173																				
Ø 120 mm	Ref.																								
-	300007173																								
Condensates recuperator ③6 	<table border="1"> <thead> <tr> <th>Ø 110 mm</th> <th>Ref.</th> </tr> </thead> <tbody> <tr> <td>DY 917</td> <td>100018983</td> </tr> </tbody> </table>	Ø 110 mm	Ref.	DY 917	100018983																				
Ø 110 mm	Ref.																								
DY 917	100018983																								

⇒ Ø 110/150 mm concentric Alu/PPs flue systems accessories : see page 27

Flex pipe ③1 	<table border="1"> <thead> <tr> <th>Ø 110 mm</th> <th>L (m)</th> <th>Ref.</th> </tr> </thead> <tbody> <tr> <td>DY 889</td> <td>15</td> <td>100015288</td> </tr> <tr> <td>DY 890</td> <td>25</td> <td>100015289</td> </tr> </tbody> </table>	Ø 110 mm	L (m)	Ref.	DY 889	15	100015288	DY 890	25	100015289
Ø 110 mm	L (m)	Ref.								
DY 889	15	100015288								
DY 890	25	100015289								
Coupling component for flex pipe ③2 	<table border="1"> <thead> <tr> <th>Ø 110 mm</th> <th>Ref.</th> </tr> </thead> <tbody> <tr> <td>DY 891</td> <td>100015321</td> </tr> </tbody> </table>	Ø 110 mm	Ref.	DY 891	100015321					
Ø 110 mm	Ref.									
DY 891	100015321									
Inspection pipe for flex pipe ③8 	<table border="1"> <thead> <tr> <th>Ø 110 mm</th> <th>Ref.</th> </tr> </thead> <tbody> <tr> <td>DY 893</td> <td>100015323</td> </tr> </tbody> </table>	Ø 110 mm	Ref.	DY 893	100015323					
Ø 110 mm	Ref.									
DY 893	100015323									
Insertion tool for flex pipe ③3 	<table border="1"> <thead> <tr> <th>Ø 110 mm</th> <th>Ref.</th> </tr> </thead> <tbody> <tr> <td>DY 894</td> <td>100015324</td> </tr> </tbody> </table>	Ø 110 mm	Ref.	DY 894	100015324					
Ø 110 mm	Ref.									
DY 894	100015324									
Centering star for flex pipe ③9 	<table border="1"> <thead> <tr> <th>Ø 110 mm</th> <th>Ref.</th> </tr> </thead> <tbody> <tr> <td>DY 805 (4 pieces)</td> <td>100002282</td> </tr> </tbody> </table>	Ø 110 mm	Ref.	DY 805 (4 pieces)	100002282					
Ø 110 mm	Ref.									
DY 805 (4 pieces)	100002282									
Air/flue gas vent with flashing for flex pipe ① 	<table border="1"> <thead> <tr> <th>Ø 892 mm</th> <th>Ref.</th> </tr> </thead> <tbody> <tr> <td>DY 892</td> <td>100015322</td> </tr> </tbody> </table>	Ø 892 mm	Ref.	DY 892	100015322					
Ø 892 mm	Ref.									
DY 892	100015322									
Adapters for flex pipe 	<table border="1"> <thead> <tr> <th>Ø 110 mm</th> <th>Ref.</th> </tr> </thead> <tbody> <tr> <td>DY 905</td> <td>100015881</td> </tr> </tbody> </table>	Ø 110 mm	Ref.	DY 905	100015881					
Ø 110 mm	Ref.									
DY 905	100015881									
Stainless steel protection screen for roof outlet ③4 	<table border="1"> <thead> <tr> <th>Ø 120 mm</th> <th>Ref.</th> </tr> </thead> <tbody> <tr> <td>-</td> <td>300007173</td> </tr> </tbody> </table>	Ø 120 mm	Ref.	-	300007173					
Ø 120 mm	Ref.									
-	300007173									
Ventilation screen interior ①9 	<table border="1"> <thead> <tr> <th>Interior ventilation screen</th> <th>Ref.</th> </tr> </thead> <tbody> <tr> <td>DY 36</td> <td>84887436</td> </tr> </tbody> </table>	Interior ventilation screen	Ref.	DY 36	84887436					
Interior ventilation screen	Ref.									
DY 36	84887436									
Ventilation screen exterior 	<table border="1"> <thead> <tr> <th>Exterior ventilation screen</th> <th>Ref.</th> </tr> </thead> <tbody> <tr> <td>DY 35</td> <td>84887435</td> </tr> </tbody> </table>	Exterior ventilation screen	Ref.	DY 35	84887435					
Exterior ventilation screen	Ref.									
DY 35	84887435									

7 CONFIGURATION B₂₃P - CONNECTION TO A CHIMNEY FOR CASCADE INSTALLATION

INNOVENS PRO MCA 45 TO 115 ONLY

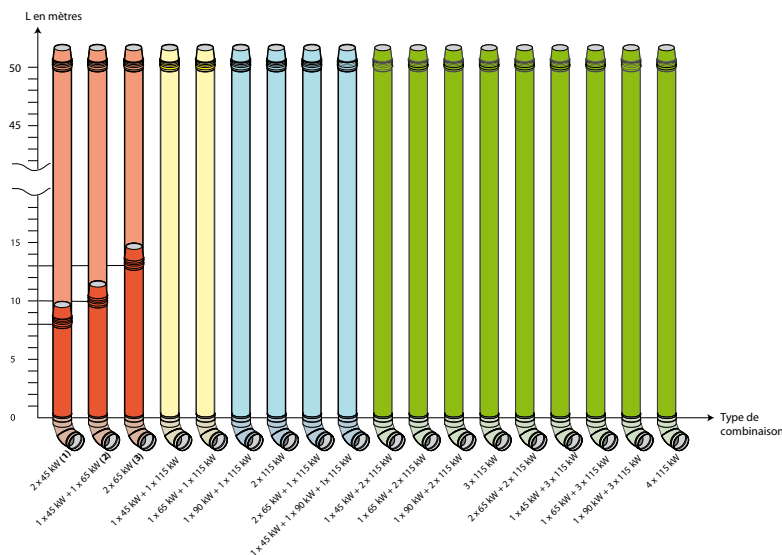


(1) Max length taken into account for sizing ; for different lengths a new calculation is necessary

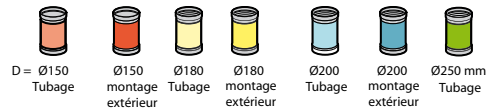
MCA_F0075

Maximum admissible length L in m depending on the Ø of conduit D (in mm) for various "cascade" combinations:

- "cascade" combinations with boilers in wall-hung or floor-standing alignment



Key

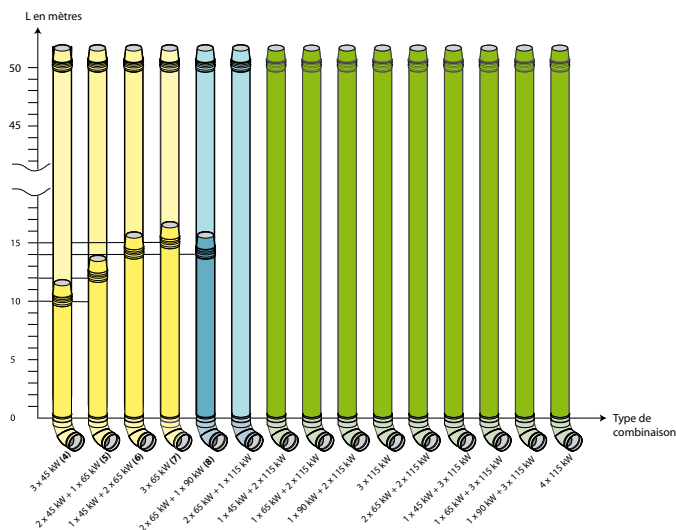


NB: in the case of conduits to the outside, the maximum height possible to guarantee operation is:

- (1): 7,90 m (2): 10,20 m (3): 13,10 m (4): 9,80 m
 (5): 11,70 m (6): 14,00 m (7): 16,40 m (8): 14,30 m

MCS5E_F0062

- "cascade" combinations with boilers fitted back to back



- INNOVENS PRO MCA 45/65/90/115 boilers, operating at 80/60 °C
- Overpressure on boiler outlet less than 50 Pa

Note: These lengths are given as a guide. De Dietrich's liability may in no event be invoked. For configurations of different assemblies, please consult us for a specific calculation.

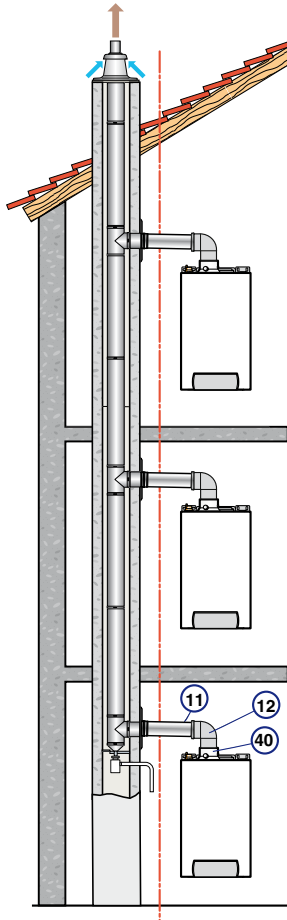
MCS5E_F0063A

NOTES



12 CONFIGURATION C₄₃X - CONNECTING A FORCED FLUE BOILER

VIVADENS MCR, INNOVENS MCA,
MODULENS G®, TWINEO



FUM_F0028C

To size such a system, contact the supplier of the 3 CEP conduit

Note: it is possible to put boilers with differing outputs on the same conduit, consult the conduit manufacturer.

⇒ Examples of 3 CEP system sizing -inside the building for MCR

Number of gas appliances connectable			
Available pressure at the nozzle of each appliance		100 Pa	
Boiler type	Nominal diameter of the pipes internal/external	Number of appliances per level	
		1	2
MCR 24	130/200	5	6
	180/250	8	10
	230/350	17	20
MCR 24/28 MI	130/200	6	6
	180/250	8	10
	250/350	18	20
MCR 30/35 MI	130/200	4	4
	180/250	7	8
	230/350	15	16
MCR 34/39 MI	130/200	4	4
	180/250	8	8
	250/350	15	14

Example: For 10 identical MCR 24/28 MI boilers with a burner output of 24 kW, pressure at the boiler nozzle of 100 Pa, in a 5-storey building, it is possible to install a conduit with an internal diameter of 180 mm and an external diameter of 250 mm.

⇒ Examples of 3 CEP system sizing -outside the building for MCR

Number of gas appliances connectable					
Available pressure at the nozzle of each appliance		100 Pa			
Internal diameter of the conduit		130	150	180	250
External diameter of the conduit		194	214	244	314
Boiler type	MCR 24	7	9	14	20
	MCR 24/28 MI	7	9	14	20
	MCR 30/35 MI	5	7	11	20
	MCR 34/39 MI	6	8	12	20

Example: For 6 identical MCR 24/28 MI boilers with a burner output of 24 kW, pressure at the boiler nozzle of 100 Pa, in a 6-storey building, it is possible to install a conduit with an internal diameter of 130 mm and an external diameter of 194 mm.

Calculations have been made according to the EN 15287 standard with:
2.7 metres floor height.
2 metres of 80/125 connection pipe and two 90° elbows.
3CEP conduit with no deviation

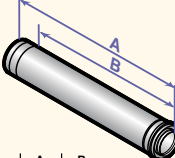
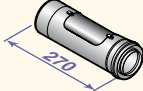
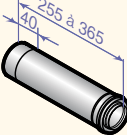
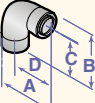
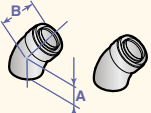
⇒ Alu/PPS flue systems accessories needed at the very least for connection to a collective conduit:

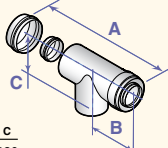
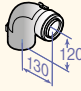
Description	Diagrams with Dimensions/References	Boiler types	VIVADENS MCR	INNOVENS MCA, MODULENS G®, TWINEO
		Package/Ref.		
Boiler connection kit on 3CEP conduit Ø 80/125 mm		DY 887 100014000	X	X
Boiler conversion kit for incorporation of an air flap		DY 884 S100913	X	Integrated in the factory

FUM_F0047A

TO A COLLECTIVE 3CEP CONDUIT

⇒ Other Alu/PPS flue systems accessories available:

Concentric extension 	11	\varnothing 80/125 mm	L (mm)	Ref.															
		DY 126	250	84887526															
		DY 127	500	84887527															
		DY 128	1000	84887528															
		DY 129	1950	84887529															
<table border="1"> <thead> <tr> <th></th> <th>A</th> <th>B</th> </tr> </thead> <tbody> <tr> <td>DY 126</td> <td>250</td> <td>200</td> </tr> <tr> <td>DY 127</td> <td>500</td> <td>450</td> </tr> <tr> <td>DY 128</td> <td>1000</td> <td>950</td> </tr> <tr> <td>DY 129</td> <td>1950</td> <td>1900</td> </tr> </tbody> </table>		A	B	DY 126	250	200	DY 127	500	450	DY 128	1000	950	DY 129	1950	1900				
	A	B																	
DY 126	250	200																	
DY 127	500	450																	
DY 128	1000	950																	
DY 129	1950	1900																	
Straight inspection pipe concentric 	7	\varnothing 80/125 mm DY 124		Ref. 84887524															
Concentric compensation sleeve 	17	\varnothing 80/125 mm DY 130		Ref. 84887530															
Concentric elbow at 87° 	12	\varnothing 80/125 mm	Angle	Ref.															
<table border="1"> <thead> <tr> <th></th> <th>A</th> <th>B</th> <th>C</th> <th>D</th> </tr> </thead> <tbody> <tr> <td>DY 131</td> <td>183</td> <td>185</td> <td>120</td> <td>130</td> </tr> </tbody> </table>			A	B	C	D	DY 131	183	185	120	130	DY 131 87° 84887531 DY 132 45° (2-pieces) 84887532							
	A	B	C	D															
DY 131	183	185	120	130															
at 45° 																			
<table border="1"> <thead> <tr> <th></th> <th>A</th> <th>B</th> </tr> </thead> <tbody> <tr> <td>DY 132</td> <td>90</td> <td>90</td> </tr> </tbody> </table>		A	B	DY 132	90	90													
	A	B																	
DY 132	90	90																	

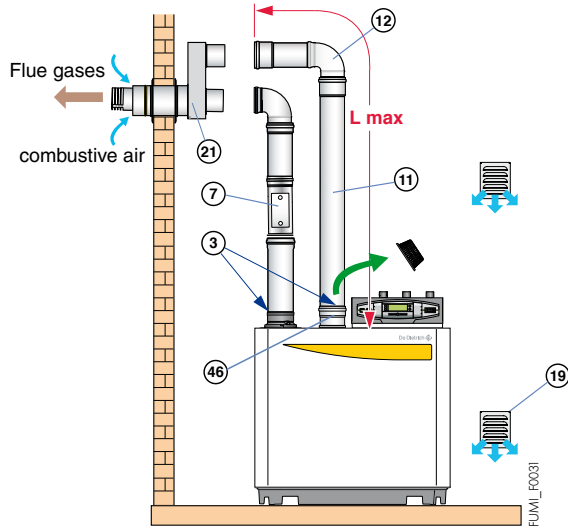
Inspection T concentric 	8	\varnothing 80/125 mm DY 125	Ref. 84887525						
		<table border="1"> <thead> <tr> <th></th> <th>A</th> <th>B</th> <th>C</th> </tr> </thead> <tbody> <tr> <td>DY 125</td> <td>270</td> <td>140</td> <td>120</td> </tr> </tbody> </table>		A	B	C	DY 125	270	140
	A	B	C						
DY 125	270	140	120						
Inspection elbow concentric 	23	\varnothing 80/125 mm DY 875	Ref. 100008311						

FUMI_F0030A

1 CONFIGURATION C₁₃ - CONCENTRIC HORIZONTAL FORCED FLUE (CONNECTION TO OUTSIDE WALL)

C 230 Eco

⚠ Configuration prohibited in buildings open to the public!



Boiler type	connect. Ø (mm)	Lmax (m)
		150 or 160
C230-85 Eco		50
C230-130 Eco		37
C230-170 Eco		16
C230-210 Eco		14

connect. Ø (mm)	Equivalent length (m)	
	150 (Alu)	160 (PPS)
87° elbow	6,4	5
45° elbow	1,7	1,4
Inspection elbow	-	5
Straight inspection pipe	0,5	0,9
Inspection T	6,4	-

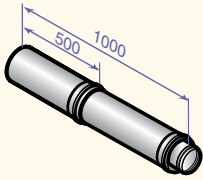
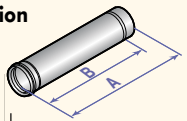
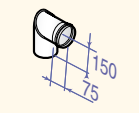
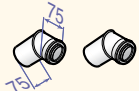
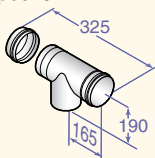
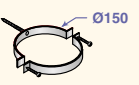
⇒ Alu/Galva or PPS/Galva flue systems accessories needed for connection to a horizontal forced flue:

Description	Diagrams with Dimensions/References	Boiler types	C 230 ECO										
		Connect. Ø (mm)	150 (Alu)	160 (PPS)									
		Package/Ref.											
Horizontal forced flue Alu/Galva Ø 150/220 mm		② DY 831 100002469	X										
Horizontal forced flue PPS/Galva Ø 160/220 mm	<table border="1"> <thead> <tr> <th></th> <th>A</th> <th>B</th> </tr> </thead> <tbody> <tr> <td>DY 831</td> <td>220/150</td> <td>150</td> </tr> <tr> <td>DY 827</td> <td>220/160</td> <td>160</td> </tr> </tbody> </table>		A	B	DY 831	220/150	150	DY 827	220/160	160	DY 827 100002401		X
	A	B											
DY 831	220/150	150											
DY 827	220/160	160											
Air connection part		④ DY 830 100002404	X	X									
Adapter Ø 150 to 160 mm		③ DY 825 100002399		X									

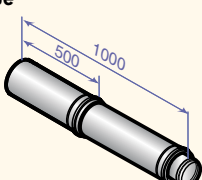
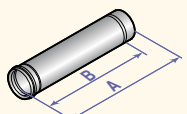
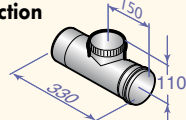
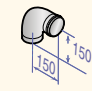
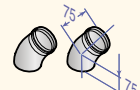
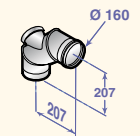
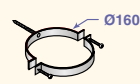
FUMI_F0031

⇒ Other flue systems accessories available:

- in Alu

<p>Concentric extension Alu/Galva for horizontal forced flue</p> 	<p>⑪ ∅ 150/220 mm Ref. DY 864 100004243</p>												
<p>Single extension</p>  <table border="1" data-bbox="156 712 300 795"> <thead> <tr> <th></th> <th>A</th> <th>B</th> </tr> </thead> <tbody> <tr> <td>DY 645</td> <td>500</td> <td>450</td> </tr> <tr> <td>DY 646</td> <td>1000</td> <td>950</td> </tr> <tr> <td>DY 647</td> <td>1950</td> <td>1900</td> </tr> </tbody> </table>		A	B	DY 645	500	450	DY 646	1000	950	DY 647	1950	1900	<p>⑥ ∅ 150 mm L (mm) Ref. DY 645 500 84887645 DY 646 1000 84887646 DY 647 1950 84887647</p>
	A	B											
DY 645	500	450											
DY 646	1000	950											
DY 647	1950	1900											
<p>Single elbow at 87°</p>  <p>at 45°</p> 	<p>④③ ∅ 150 mm Angle Ref. DY 649 87° 84887649 DY 650 45° (2-pieces) 84887650</p>												
<p>Single inspection T</p> 	<p>④④ ∅ 150 mm Ref. DY 832 100002470</p>												
<p>Fastening clamp</p> 	<p>②⑨ ∅ 150 mm Ref. DY 841 100002692</p>												

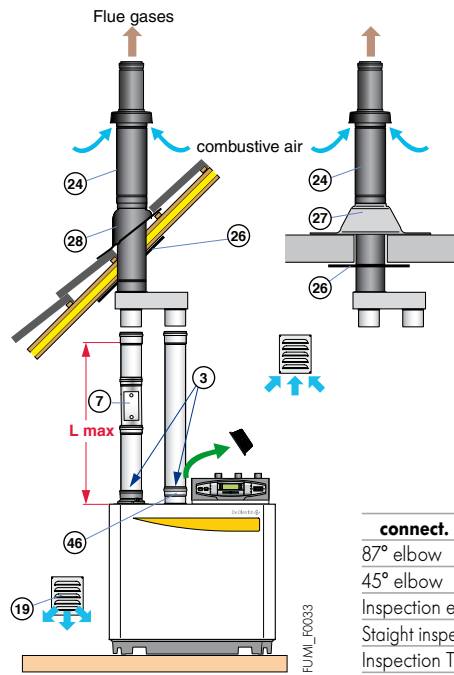
- in PPS

<p>Concentric extension PPS/Galva for horizontal forced flue</p> 	<p>⑪ ∅ 160/220 mm Ref. DY 857 100004040</p>									
<p>Single extension</p>  <table border="1" data-bbox="842 757 986 824"> <thead> <tr> <th></th> <th>A</th> <th>B</th> </tr> </thead> <tbody> <tr> <td>DY 822</td> <td>500</td> <td>450</td> </tr> <tr> <td>DY 821</td> <td>1000</td> <td>950</td> </tr> </tbody> </table>		A	B	DY 822	500	450	DY 821	1000	950	<p>⑥ ∅ 160 mm L (mm) Ref. DY 822 500 100002396 DY 821 1000 100002395</p>
	A	B								
DY 822	500	450								
DY 821	1000	950								
<p>Single inspection pipe</p> 	<p>④② ∅ 160 mm Ref. DY 833 100002471</p>									
<p>Single elbow at 87°</p>  <p>at 45°</p> 	<p>④③ ∅ 160 mm Angle Ref. DY 823 87° 100002397 DY 824 45° (2-pieces) 100002398</p>									
<p>Single inspection elbow</p> 	<p>④⑤ ∅ 160 mm Ref. DY 834 100002472</p>									
<p>Fastening clamp</p> 	<p>②⑨ ∅ 160 mm Ref. DY 842 100002693</p>									

FUMI_E0032B

2 CONFIGURATION C₃₃ - CONCENTRIC VERTICAL FORCED FLUE (CONNECTION TO SLOPING ROOF OR FLAT ROOF)

C 230 Eco



Boiler type	connect. Ø (mm)	Lmax (m) 150 or 160
C230-85 Eco		50
C230-130 Eco		37
C230-170 Eco		16
C230-210 Eco		14

connect. Ø (mm)	Equivalent length (m)	
	150 (Alu)	160 (PPS)
87° elbow	6,4	5
45° elbow	1,7	1,4
Inspection elbow	-	5
Straight inspection pipe	0,5	0,9
Inspection T	6,4	-

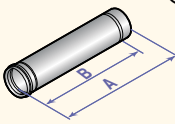
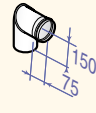
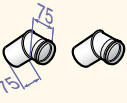
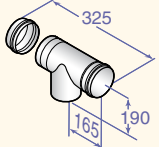
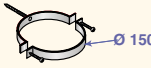
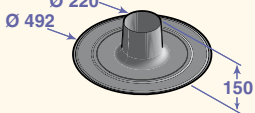
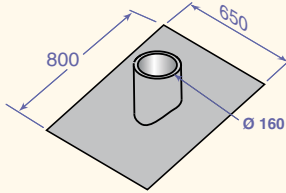
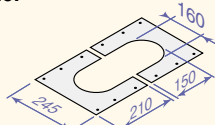
⇒ Alu/Galva or PPS/Galva flue systems accessories needed for connection to a vertical forced flue

Description	Diagrams with Dimensions/References	Boiler types	C 230 ECO	
		connect. Ø (mm)	150 (Alu)	160 (PPS)
		Package/Ref.		
Vertical forced flue Alu/Galva Ø 150/220 mm		DY 835 100002473	X	
Vertical forced flue PPS/Galva Ø 160/220 mm		DY 826 100002400		X
Air connection part		DY 830 100002404	X	X
Adapter Ø 150 to 160 mm		DY 825 100002399		X

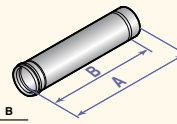
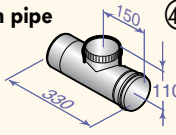
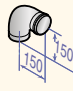
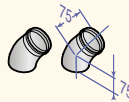
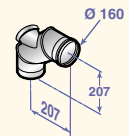
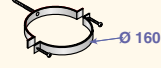
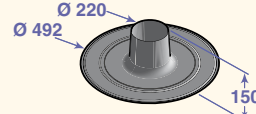
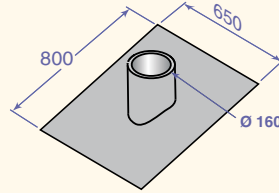
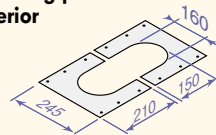
FUWLF0033

⇒ Other single flue systems accessories available:

- in Alu

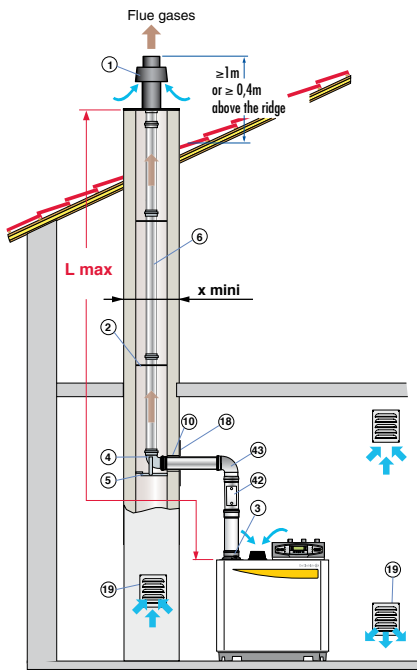
<p>Single extension (6)</p>  <table border="1"> <thead> <tr> <th></th> <th>A</th> <th>B</th> </tr> </thead> <tbody> <tr> <td>DY 645</td> <td>500</td> <td>450</td> </tr> <tr> <td>DY 646</td> <td>1000</td> <td>950</td> </tr> <tr> <td>DY 647</td> <td>1950</td> <td>1900</td> </tr> </tbody> </table>		A	B	DY 645	500	450	DY 646	1000	950	DY 647	1950	1900	<table border="1"> <thead> <tr> <th>Ø 150 mm</th> <th>L (mm)</th> <th>Ref.</th> </tr> </thead> <tbody> <tr> <td>DY 645</td> <td>500</td> <td>84887645</td> </tr> <tr> <td>DY 646</td> <td>1000</td> <td>84887646</td> </tr> <tr> <td>DY 647</td> <td>1950</td> <td>84887647</td> </tr> </tbody> </table>	Ø 150 mm	L (mm)	Ref.	DY 645	500	84887645	DY 646	1000	84887646	DY 647	1950	84887647
	A	B																							
DY 645	500	450																							
DY 646	1000	950																							
DY 647	1950	1900																							
Ø 150 mm	L (mm)	Ref.																							
DY 645	500	84887645																							
DY 646	1000	84887646																							
DY 647	1950	84887647																							
<p>Single elbow at 87° (43)</p>  <p>at 45°</p> 	<table border="1"> <thead> <tr> <th>Ø 150 mm</th> <th>Angle</th> <th>Ref.</th> </tr> </thead> <tbody> <tr> <td>DY 649</td> <td>87°</td> <td>84887649</td> </tr> <tr> <td>DY 650</td> <td>45° (2-pieces)</td> <td>84887650</td> </tr> </tbody> </table>	Ø 150 mm	Angle	Ref.	DY 649	87°	84887649	DY 650	45° (2-pieces)	84887650															
Ø 150 mm	Angle	Ref.																							
DY 649	87°	84887649																							
DY 650	45° (2-pieces)	84887650																							
<p>Single inspection T (44)</p> 	<table border="1"> <thead> <tr> <th>Ø 150 mm</th> <th>Ref.</th> </tr> </thead> <tbody> <tr> <td>DY 832</td> <td>100002470</td> </tr> </tbody> </table>	Ø 150 mm	Ref.	DY 832	100002470																				
Ø 150 mm	Ref.																								
DY 832	100002470																								
<p>Fastening clamp (29)</p> 	<table border="1"> <thead> <tr> <th>Ø 150 mm</th> <th>Ref.</th> </tr> </thead> <tbody> <tr> <td>DY 841</td> <td>100002692</td> </tr> </tbody> </table>	Ø 150 mm	Ref.	DY 841	100002692																				
Ø 150 mm	Ref.																								
DY 841	100002692																								
<p>Flashing for flat roof (27)</p> 	<table border="1"> <thead> <tr> <th>Ø 160/220 mm</th> <th>Ref.</th> </tr> </thead> <tbody> <tr> <td>DY 828</td> <td>100002402</td> </tr> </tbody> </table>	Ø 160/220 mm	Ref.	DY 828	100002402																				
Ø 160/220 mm	Ref.																								
DY 828	100002402																								
<p>Flashing for sloping roof (28)</p> 	<table border="1"> <thead> <tr> <th>Ø 160/220 mm</th> <th>Ref.</th> </tr> </thead> <tbody> <tr> <td>DY 829</td> <td>100002403</td> </tr> </tbody> </table>	Ø 160/220 mm	Ref.	DY 829	100002403																				
Ø 160/220 mm	Ref.																								
DY 829	100002403																								
<p>Finishing plates interior (26)</p> 	<table border="1"> <thead> <tr> <th>Ø 220 mm</th> <th>Ref.</th> </tr> </thead> <tbody> <tr> <td>DY 840</td> <td>100002700</td> </tr> </tbody> </table>	Ø 220 mm	Ref.	DY 840	100002700																				
Ø 220 mm	Ref.																								
DY 840	100002700																								

- in PPS

<p>Single extension (6)</p>  <table border="1"> <thead> <tr> <th></th> <th>A</th> <th>B</th> </tr> </thead> <tbody> <tr> <td>DY 822</td> <td>500</td> <td>450</td> </tr> <tr> <td>DY 821</td> <td>1000</td> <td>950</td> </tr> </tbody> </table>		A	B	DY 822	500	450	DY 821	1000	950	<table border="1"> <thead> <tr> <th>Ø 160 mm</th> <th>L (mm)</th> <th>Ref.</th> </tr> </thead> <tbody> <tr> <td>DY 822</td> <td>500</td> <td>100002396</td> </tr> <tr> <td>DY 821</td> <td>1000</td> <td>100002395</td> </tr> </tbody> </table>	Ø 160 mm	L (mm)	Ref.	DY 822	500	100002396	DY 821	1000	100002395
	A	B																	
DY 822	500	450																	
DY 821	1000	950																	
Ø 160 mm	L (mm)	Ref.																	
DY 822	500	100002396																	
DY 821	1000	100002395																	
<p>Single inspection pipe (42)</p> 	<table border="1"> <thead> <tr> <th>Ø 160 mm</th> <th>Ref.</th> </tr> </thead> <tbody> <tr> <td>DY 833</td> <td>100002471</td> </tr> </tbody> </table>	Ø 160 mm	Ref.	DY 833	100002471														
Ø 160 mm	Ref.																		
DY 833	100002471																		
<p>Single elbow at 87° (43)</p>  <p>at 45°</p> 	<table border="1"> <thead> <tr> <th>Ø 160 mm</th> <th>Angle</th> <th>Ref.</th> </tr> </thead> <tbody> <tr> <td>DY 823</td> <td>87°</td> <td>100002397</td> </tr> <tr> <td>DY 824</td> <td>45° (2-pieces)</td> <td>100002398</td> </tr> </tbody> </table>	Ø 160 mm	Angle	Ref.	DY 823	87°	100002397	DY 824	45° (2-pieces)	100002398									
Ø 160 mm	Angle	Ref.																	
DY 823	87°	100002397																	
DY 824	45° (2-pieces)	100002398																	
<p>Single inspection elbow (45)</p> 	<table border="1"> <thead> <tr> <th>Ø 160 mm</th> <th>Ref.</th> </tr> </thead> <tbody> <tr> <td>DY 834</td> <td>100002472</td> </tr> </tbody> </table>	Ø 160 mm	Ref.	DY 834	100002472														
Ø 160 mm	Ref.																		
DY 834	100002472																		
<p>Fastening clamp (29)</p> 	<table border="1"> <thead> <tr> <th>Ø 160 mm</th> <th>Ref.</th> </tr> </thead> <tbody> <tr> <td>DY 842</td> <td>100002693</td> </tr> </tbody> </table>	Ø 160 mm	Ref.	DY 842	100002693														
Ø 160 mm	Ref.																		
DY 842	100002693																		
<p>Flashing for flat roof (27)</p> 	<table border="1"> <thead> <tr> <th>Ø 160/220 mm</th> <th>Ref.</th> </tr> </thead> <tbody> <tr> <td>DY 828</td> <td>100002402</td> </tr> </tbody> </table>	Ø 160/220 mm	Ref.	DY 828	100002402														
Ø 160/220 mm	Ref.																		
DY 828	100002402																		
<p>Flashing for sloping roof (28)</p> 	<table border="1"> <thead> <tr> <th>Ø 160/220 mm</th> <th>Ref.</th> </tr> </thead> <tbody> <tr> <td>DY 829</td> <td>100002403</td> </tr> </tbody> </table>	Ø 160/220 mm	Ref.	DY 829	100002403														
Ø 160/220 mm	Ref.																		
DY 829	100002403																		
<p>Finishing plates interior (26)</p> 	<table border="1"> <thead> <tr> <th>Ø 220 mm</th> <th>Ref.</th> </tr> </thead> <tbody> <tr> <td>DY 840</td> <td>100002700</td> </tr> </tbody> </table>	Ø 220 mm	Ref.	DY 840	100002700														
Ø 220 mm	Ref.																		
DY 840	100002700																		

2 CONFIGURATION B_{23P} - CONNECTION TO A CHIMNEY (COMBUSTIVE AIR TAKEN FROM THE BOILER ROOM)

C 230 Eco



connect. Ø (mm)	Equivalent length (m)	
	150 (Alu)	160 (PPS)
87° elbow	6,4	5
45° elbow	1,7	1,4
Inspection elbow	-	5
Straight inspection pipe	0,5	0,9
Inspection T	6,4	-

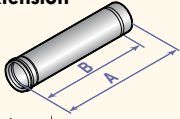
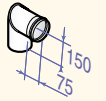
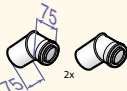
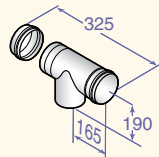
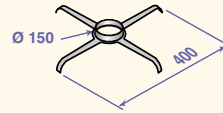
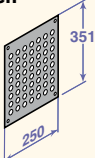
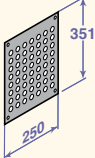
Boiler type	connect. Ø (mm)	Lmax (m)	
		150 Alu	160 PPS
C230-85 Eco		50	50
C230-130 Eco		50	50
C230-170 Eco		45	50
C230-210 Eco		27	43
x mini	□ (mm)	220	220
	Ø (mm)	240	240

⇒ Alu or PPS flue systems accessories needed for connection to the chimney

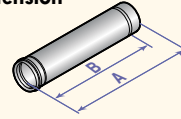
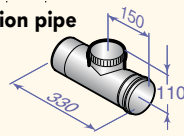
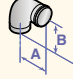
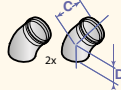
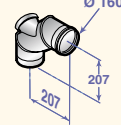
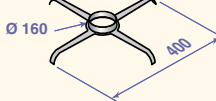
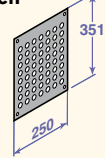
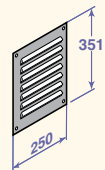
Description	Diagrams with Dimensions/References	Boiler types	C 230 ECO	
		connect. Ø (mm)	150 (Alu)	160 (PPS)
		Package/Ref.		
Air/flue gas vent with flashing Ø 150 mm Alu	DY 780 ①	DY 780 84887780	X	
Air/flue gas vent with flashing Ø 160 mm PPS	DY 837 ①	DY 837 100002475		X
87° elbow with bracket Ø 150 mm Alu	④ + ⑤	DY 855 100003968	X	
87° elbow with bracket Ø 160 mm PPS	④ + ⑤	DY 836 100002474		X
Chimney finishing plate Ø 150 mm Alu	⑱	DY 856 100003969	X	
Chimney finishing plate Ø 160 mm PPS	⑱	DY 838 100002476		X
Sleeve Ø 165 mm	⑩	DY 773 84887773	X	X
Adapter Ø 150 sur 160 mm	⑩	DY 825 100002399		X

⇒ Other single flue systems accessories available:

- in Alu

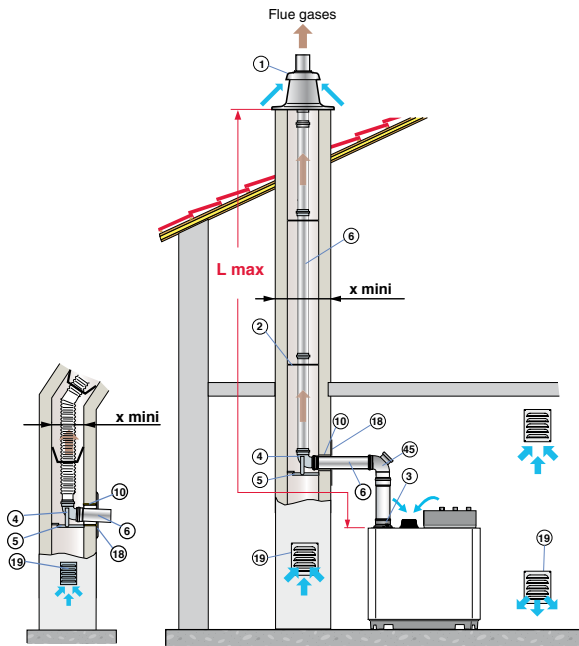
<p>Single extension</p>  <table border="1"> <thead> <tr> <th></th> <th>A</th> <th>B</th> </tr> </thead> <tbody> <tr> <td>DY 645</td> <td>500</td> <td>450</td> </tr> <tr> <td>DY 646</td> <td>1000</td> <td>950</td> </tr> <tr> <td>DY 647</td> <td>1950</td> <td>1900</td> </tr> </tbody> </table>		A	B	DY 645	500	450	DY 646	1000	950	DY 647	1950	1900	<p>⑥</p> <table border="1"> <thead> <tr> <th>Ø 150 mm</th> <th>L (mm)</th> <th>Ref.</th> </tr> </thead> <tbody> <tr> <td>DY 645</td> <td>500</td> <td>84887645</td> </tr> <tr> <td>DY 646</td> <td>1000</td> <td>84887646</td> </tr> <tr> <td>DY 647</td> <td>1950</td> <td>84887647</td> </tr> </tbody> </table>	Ø 150 mm	L (mm)	Ref.	DY 645	500	84887645	DY 646	1000	84887646	DY 647	1950	84887647
	A	B																							
DY 645	500	450																							
DY 646	1000	950																							
DY 647	1950	1900																							
Ø 150 mm	L (mm)	Ref.																							
DY 645	500	84887645																							
DY 646	1000	84887646																							
DY 647	1950	84887647																							
<p>Single elbow at 87°</p>  <p>at 45°</p> 	<p>④3</p> <table border="1"> <thead> <tr> <th>Ø 150 mm</th> <th>Angle</th> <th>Ref.</th> </tr> </thead> <tbody> <tr> <td>DY 649</td> <td>87°</td> <td>84887649</td> </tr> <tr> <td>DY 650</td> <td>45° (2-pieces)</td> <td>84887650</td> </tr> </tbody> </table>	Ø 150 mm	Angle	Ref.	DY 649	87°	84887649	DY 650	45° (2-pieces)	84887650															
Ø 150 mm	Angle	Ref.																							
DY 649	87°	84887649																							
DY 650	45° (2-pieces)	84887650																							
<p>Single inspection T</p> 	<p>④4</p> <table border="1"> <thead> <tr> <th>Ø 150 mm</th> <th>Ref.</th> </tr> </thead> <tbody> <tr> <td>DY 832</td> <td>100002470</td> </tr> </tbody> </table>	Ø 150 mm	Ref.	DY 832	100002470																				
Ø 150 mm	Ref.																								
DY 832	100002470																								
<p>Centering star</p> 	<p>②</p> <table border="1"> <thead> <tr> <th>Ø 150 mm</th> <th>Ref.</th> </tr> </thead> <tbody> <tr> <td>DY 648 (2 pieces)</td> <td>84887648</td> </tr> </tbody> </table>	Ø 150 mm	Ref.	DY 648 (2 pieces)	84887648																				
Ø 150 mm	Ref.																								
DY 648 (2 pieces)	84887648																								
<p>Ventilation screen exterior</p>  <p>interior</p> 	<p>①9</p> <table border="1"> <tbody> <tr> <td>Exterior ventilation screen</td> <td>Ref.</td> </tr> <tr> <td>DY 35</td> <td>84887435</td> </tr> <tr> <td>Interior ventilation screen</td> <td>Ref.</td> </tr> <tr> <td>DY 36</td> <td>84887436</td> </tr> </tbody> </table>	Exterior ventilation screen	Ref.	DY 35	84887435	Interior ventilation screen	Ref.	DY 36	84887436																
Exterior ventilation screen	Ref.																								
DY 35	84887435																								
Interior ventilation screen	Ref.																								
DY 36	84887436																								

- in PPS

<p>Single extension</p>  <table border="1"> <thead> <tr> <th></th> <th>A</th> <th>B</th> </tr> </thead> <tbody> <tr> <td>DY 822</td> <td>500</td> <td>450</td> </tr> <tr> <td>DY 821</td> <td>1000</td> <td>950</td> </tr> </tbody> </table>		A	B	DY 822	500	450	DY 821	1000	950	<p>⑥</p> <table border="1"> <thead> <tr> <th>Ø 160 mm</th> <th>L (mm)</th> <th>Ref.</th> </tr> </thead> <tbody> <tr> <td>DY 822</td> <td>500</td> <td>100002396</td> </tr> <tr> <td>DY 821</td> <td>1000</td> <td>100002395</td> </tr> </tbody> </table>	Ø 160 mm	L (mm)	Ref.	DY 822	500	100002396	DY 821	1000	100002395
	A	B																	
DY 822	500	450																	
DY 821	1000	950																	
Ø 160 mm	L (mm)	Ref.																	
DY 822	500	100002396																	
DY 821	1000	100002395																	
<p>Single inspection pipe</p> 	<p>④2</p> <table border="1"> <thead> <tr> <th>Ø 160 mm</th> <th>Ref.</th> </tr> </thead> <tbody> <tr> <td>DY 833</td> <td>100002471</td> </tr> </tbody> </table>	Ø 160 mm	Ref.	DY 833	100002471														
Ø 160 mm	Ref.																		
DY 833	100002471																		
<p>Single elbow at 87°</p>  <p>at 45°</p>  <table border="1"> <thead> <tr> <th></th> <th>C</th> <th>D</th> </tr> </thead> <tbody> <tr> <td>DY 824</td> <td>75</td> <td>75</td> </tr> </tbody> </table>		C	D	DY 824	75	75	<p>④3</p> <table border="1"> <thead> <tr> <th>Ø 160 mm</th> <th>Angle</th> <th>Ref.</th> </tr> </thead> <tbody> <tr> <td>DY 823</td> <td>87°</td> <td>100002397</td> </tr> <tr> <td>DY 824</td> <td>45° (2-pieces)</td> <td>100002398</td> </tr> </tbody> </table>	Ø 160 mm	Angle	Ref.	DY 823	87°	100002397	DY 824	45° (2-pieces)	100002398			
	C	D																	
DY 824	75	75																	
Ø 160 mm	Angle	Ref.																	
DY 823	87°	100002397																	
DY 824	45° (2-pieces)	100002398																	
<p>Single inspection elbow</p> 	<p>④5</p> <table border="1"> <thead> <tr> <th>Ø 160 mm</th> <th>Ref.</th> </tr> </thead> <tbody> <tr> <td>DY 834</td> <td>100002472</td> </tr> </tbody> </table>	Ø 160 mm	Ref.	DY 834	100002472														
Ø 160 mm	Ref.																		
DY 834	100002472																		
<p>Centering star</p> 	<p>②</p> <table border="1"> <thead> <tr> <th>Ø 160 mm</th> <th>Ref.</th> </tr> </thead> <tbody> <tr> <td>DY 839 (2 pieces)</td> <td>100002540</td> </tr> </tbody> </table>	Ø 160 mm	Ref.	DY 839 (2 pieces)	100002540														
Ø 160 mm	Ref.																		
DY 839 (2 pieces)	100002540																		
<p>Ventilation screen exterior</p>  <p>interior</p> 	<p>①9</p> <table border="1"> <tbody> <tr> <td>Exterior ventilation screen</td> <td>Ref.</td> </tr> <tr> <td>DY 35</td> <td>84887435</td> </tr> <tr> <td>Interior ventilation screen</td> <td>Ref.</td> </tr> <tr> <td>DY 36</td> <td>84887436</td> </tr> </tbody> </table>	Exterior ventilation screen	Ref.	DY 35	84887435	Interior ventilation screen	Ref.	DY 36	84887436										
Exterior ventilation screen	Ref.																		
DY 35	84887435																		
Interior ventilation screen	Ref.																		
DY 36	84887436																		

6 CONFIGURATION B_{23P} - CONNECTION TO A CHIMNEY (COMBUSTIVE AIR TAKEN FROM THE BOILER ROOM)

C 230 Eco



Boiler type	connect. Ø (mm)	Lmax (m)	
		110 rigid	110 flex
C230-85 Eco		27	14,5
C230-130 Eco		8	5
x mini	□ (mm)	220	220
	Ø (mm)	240	240

connect. Ø (mm)	Equivalent length (m)	
	110 rigid	110 flex
87° elbow	4,9	
45° elbow	1,1	
Inspection elbow	4,8	
Straight inspection pipe		0,5
Inspection T	5,6	

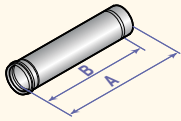
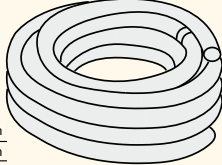
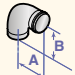
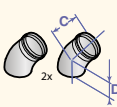
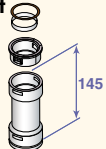
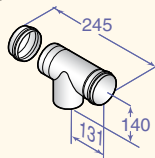
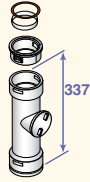
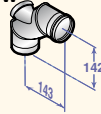

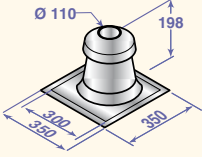
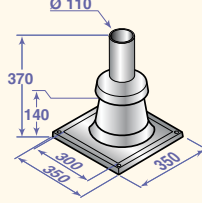

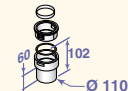
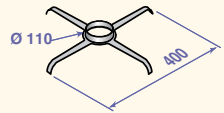

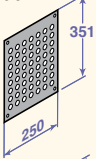
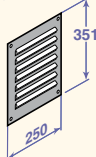
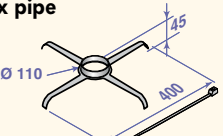
FUJIL F0079A

⇒ Alu or PPS flue systems accessories needed for connection to the chimney

Description	Diagrams with Dimensions/References	Boiler types	C 230-85 and 130 ECO	
		connect. Ø (mm)	110 rigid	110 flex
		Package/Ref.		
Chimney connection kit Ø 110 mm		DY 177 84887577	X	
Chimney connection kit Ø 110 mm for flex pipe		DY 888 100015287		X
Chimney finition plate Ø 110 mm		DY 879 100010270	X	X
Sleeve Ø 124 mm		DY 753 84887553	X	X
Adapter Ø 150 to 110 mm		DY 915 100017634	X	X

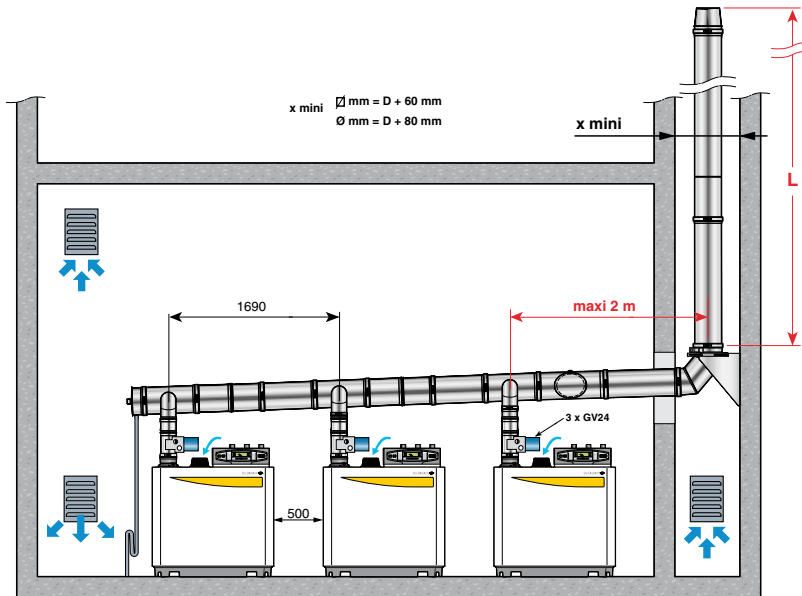
FUJIL F0079A

⇒ Other PPS (rigid or flex) single flue systems accessories available:

<p>Single extension ⑥</p>  <table border="1" data-bbox="156 427 300 510"> <thead> <tr> <th></th> <th>A</th> <th>B</th> </tr> </thead> <tbody> <tr> <td>DY 180</td> <td>500</td> <td>450</td> </tr> <tr> <td>DY 179</td> <td>1000</td> <td>950</td> </tr> <tr> <td>DY 178</td> <td>1950</td> <td>1900</td> </tr> </tbody> </table>		A	B	DY 180	500	450	DY 179	1000	950	DY 178	1950	1900	<table border="1"> <thead> <tr> <th>Ø 110 mm</th> <th>Lg (mm)</th> <th>Ref.</th> </tr> </thead> <tbody> <tr> <td>DY 180</td> <td>500</td> <td>84887580</td> </tr> <tr> <td>DY 179</td> <td>1000</td> <td>84887579</td> </tr> <tr> <td>DY 178</td> <td>1000</td> <td>84887578</td> </tr> </tbody> </table>	Ø 110 mm	Lg (mm)	Ref.	DY 180	500	84887580	DY 179	1000	84887579	DY 178	1000	84887578	<p>Flex pipe ③①</p>  <table border="1" data-bbox="834 412 951 456"> <tbody> <tr> <td>DY 889</td> <td>15 m</td> </tr> <tr> <td>DY 890</td> <td>25 m</td> </tr> </tbody> </table>	DY 889	15 m	DY 890	25 m	<table border="1"> <thead> <tr> <th>Ø 110 mm</th> <th>Lg (m)</th> <th>Ref.</th> </tr> </thead> <tbody> <tr> <td>DY 889</td> <td>15</td> <td>100015288</td> </tr> <tr> <td>DY 890</td> <td>25</td> <td>100015289</td> </tr> </tbody> </table>	Ø 110 mm	Lg (m)	Ref.	DY 889	15	100015288	DY 890	25	100015289
	A	B																																						
DY 180	500	450																																						
DY 179	1000	950																																						
DY 178	1950	1900																																						
Ø 110 mm	Lg (mm)	Ref.																																						
DY 180	500	84887580																																						
DY 179	1000	84887579																																						
DY 178	1000	84887578																																						
DY 889	15 m																																							
DY 890	25 m																																							
Ø 110 mm	Lg (m)	Ref.																																						
DY 889	15	100015288																																						
DY 890	25	100015289																																						
<p>Single elbow at 87° ④③</p>  <table border="1" data-bbox="156 607 300 645"> <thead> <tr> <th>DY 181</th> <th>A</th> <th>B</th> </tr> </thead> <tbody> <tr> <td></td> <td>120</td> <td>120</td> </tr> </tbody> </table> <p>Single elbow at 45°</p>  <table border="1" data-bbox="156 748 300 786"> <thead> <tr> <th>DY 182</th> <th>C</th> <th>D</th> </tr> </thead> <tbody> <tr> <td></td> <td>90</td> <td>90</td> </tr> </tbody> </table>	DY 181	A	B		120	120	DY 182	C	D		90	90	<table border="1"> <thead> <tr> <th>Ø 110 mm</th> <th>Angle</th> <th>Ref.</th> </tr> </thead> <tbody> <tr> <td>DY 181</td> <td>87°</td> <td>84887581</td> </tr> <tr> <td>DY 182</td> <td>45° (2 pces)</td> <td>84887582</td> </tr> </tbody> </table>	Ø 110 mm	Angle	Ref.	DY 181	87°	84887581	DY 182	45° (2 pces)	84887582	<p>Coupling component for flex pipe ③②</p> 	<table border="1"> <thead> <tr> <th>Ø 110 mm</th> <th>Ref.</th> </tr> </thead> <tbody> <tr> <td>DY 891</td> <td>100015321</td> </tr> </tbody> </table>	Ø 110 mm	Ref.	DY 891	100015321												
DY 181	A	B																																						
	120	120																																						
DY 182	C	D																																						
	90	90																																						
Ø 110 mm	Angle	Ref.																																						
DY 181	87°	84887581																																						
DY 182	45° (2 pces)	84887582																																						
Ø 110 mm	Ref.																																							
DY 891	100015321																																							
<p>Inspection T single ④④</p> 	<table border="1"> <thead> <tr> <th>Ø 110 mm</th> <th>Ref.</th> </tr> </thead> <tbody> <tr> <td>DY 183</td> <td>84887583</td> </tr> </tbody> </table>	Ø 110 mm	Ref.	DY 183	84887583	<p>Inspection pipe for flex pipe ③⑧</p> 	<table border="1"> <thead> <tr> <th>Ø 110 mm</th> <th>Ref.</th> </tr> </thead> <tbody> <tr> <td>DY 893</td> <td>100015323</td> </tr> </tbody> </table>	Ø 110 mm	Ref.	DY 893	100015323																													
Ø 110 mm	Ref.																																							
DY 183	84887583																																							
Ø 110 mm	Ref.																																							
DY 893	100015323																																							
<p>Inspection elbow single ④⑤</p> 	<table border="1"> <thead> <tr> <th>Ø 110 mm</th> <th>Ref.</th> </tr> </thead> <tbody> <tr> <td>DY 188</td> <td>84887588</td> </tr> </tbody> </table>	Ø 110 mm	Ref.	DY 188	84887588	<p>Insertion tool for flex pipe ③③</p> 	<table border="1"> <thead> <tr> <th>Ø 110 mm</th> <th>Ref.</th> </tr> </thead> <tbody> <tr> <td>DY 894</td> <td>100015324</td> </tr> </tbody> </table>	Ø 110 mm	Ref.	DY 894	100015324																													
Ø 110 mm	Ref.																																							
DY 188	84887588																																							
Ø 110 mm	Ref.																																							
DY 894	100015324																																							
<p>Air/flue gas vent with flashing ①</p> 	<table border="1"> <thead> <tr> <th>Ø 110 mm</th> <th>Ref.</th> </tr> </thead> <tbody> <tr> <td>DY 189</td> <td>84887588</td> </tr> </tbody> </table>	Ø 110 mm	Ref.	DY 189	84887588	<p>Air/flue gas vent with flashing for flex pipe ①</p> 	<table border="1"> <thead> <tr> <th>Ø 110 mm</th> <th>Ref.</th> </tr> </thead> <tbody> <tr> <td>DY 892</td> <td>100015322</td> </tr> </tbody> </table>	Ø 110 mm	Ref.	DY 892	100015322																													
Ø 110 mm	Ref.																																							
DY 189	84887588																																							
Ø 110 mm	Ref.																																							
DY 892	100015322																																							
<p>Stainless steel protection screen for roof outlet ③④</p> 	<table border="1"> <thead> <tr> <th>Ø 120 mm</th> <th>Ref.</th> </tr> </thead> <tbody> <tr> <td></td> <td>300007173</td> </tr> </tbody> </table>	Ø 120 mm	Ref.		300007173	<p>Adapters for flex pipe</p> 	<table border="1"> <thead> <tr> <th>Ø 110 mm</th> <th>Ref.</th> </tr> </thead> <tbody> <tr> <td>DY 905</td> <td>100015881</td> </tr> </tbody> </table>	Ø 110 mm	Ref.	DY 905	100015881																													
Ø 120 mm	Ref.																																							
	300007173																																							
Ø 110 mm	Ref.																																							
DY 905	100015881																																							
<p>Centering star ②</p> 	<table border="1"> <thead> <tr> <th>Ø 110 mm</th> <th>Ref.</th> </tr> </thead> <tbody> <tr> <td>DY 187 (2 pieces)</td> <td>84887587</td> </tr> </tbody> </table>	Ø 110 mm	Ref.	DY 187 (2 pieces)	84887587	<p>Stainless steel protection screen for roof outlet ③④</p> 	<table border="1"> <thead> <tr> <th>Ø 120 mm</th> <th>Ref.</th> </tr> </thead> <tbody> <tr> <td></td> <td>300007173</td> </tr> </tbody> </table>	Ø 120 mm	Ref.		300007173																													
Ø 110 mm	Ref.																																							
DY 187 (2 pieces)	84887587																																							
Ø 120 mm	Ref.																																							
	300007173																																							
<p>Ventilation screen interior ①⑨</p>  <p>exterior</p> 	<table border="1"> <tbody> <tr> <td>Interior ventilation screen DY 36</td> <td>Ref. 84887436</td> </tr> <tr> <td>Exterior ventilation screen DY 35</td> <td>Ref. 84887435</td> </tr> </tbody> </table>	Interior ventilation screen DY 36	Ref. 84887436	Exterior ventilation screen DY 35	Ref. 84887435	<p>Centering star for flex pipe ③⑨</p> 	<table border="1"> <thead> <tr> <th>Ø 110 mm</th> <th>Ref.</th> </tr> </thead> <tbody> <tr> <td>DY 805 (4 pieces)</td> <td>100002282</td> </tr> </tbody> </table>	Ø 110 mm	Ref.	DY 805 (4 pieces)	100002282																													
Interior ventilation screen DY 36	Ref. 84887436																																							
Exterior ventilation screen DY 35	Ref. 84887435																																							
Ø 110 mm	Ref.																																							
DY 805 (4 pieces)	100002282																																							

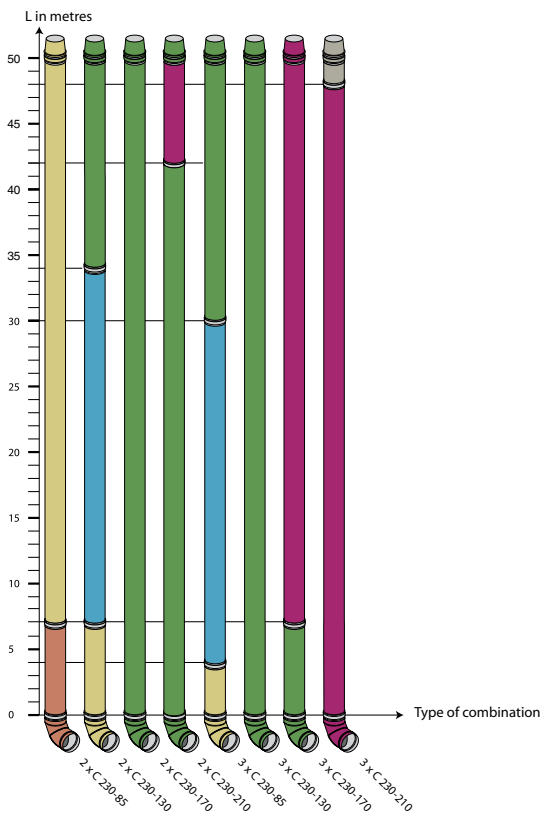
7 CONFIGURATION B_{23P} - CONNECTION TO A CHIMNEY FOR CASCADE INSTALLATION (INSTALLATION WITH MOTORISED FLUE DAMPERS)

C 230 ECO



C210_F00018D

Maximum admissible length L (in m) depending on the Ø of the conduit D (in mm) for various “cascade” combinations (These lengths have been defined in accordance with the dimensional constraints given in the above diagram. For different dimensional constraints, consult us).



C210_F00019B

Key



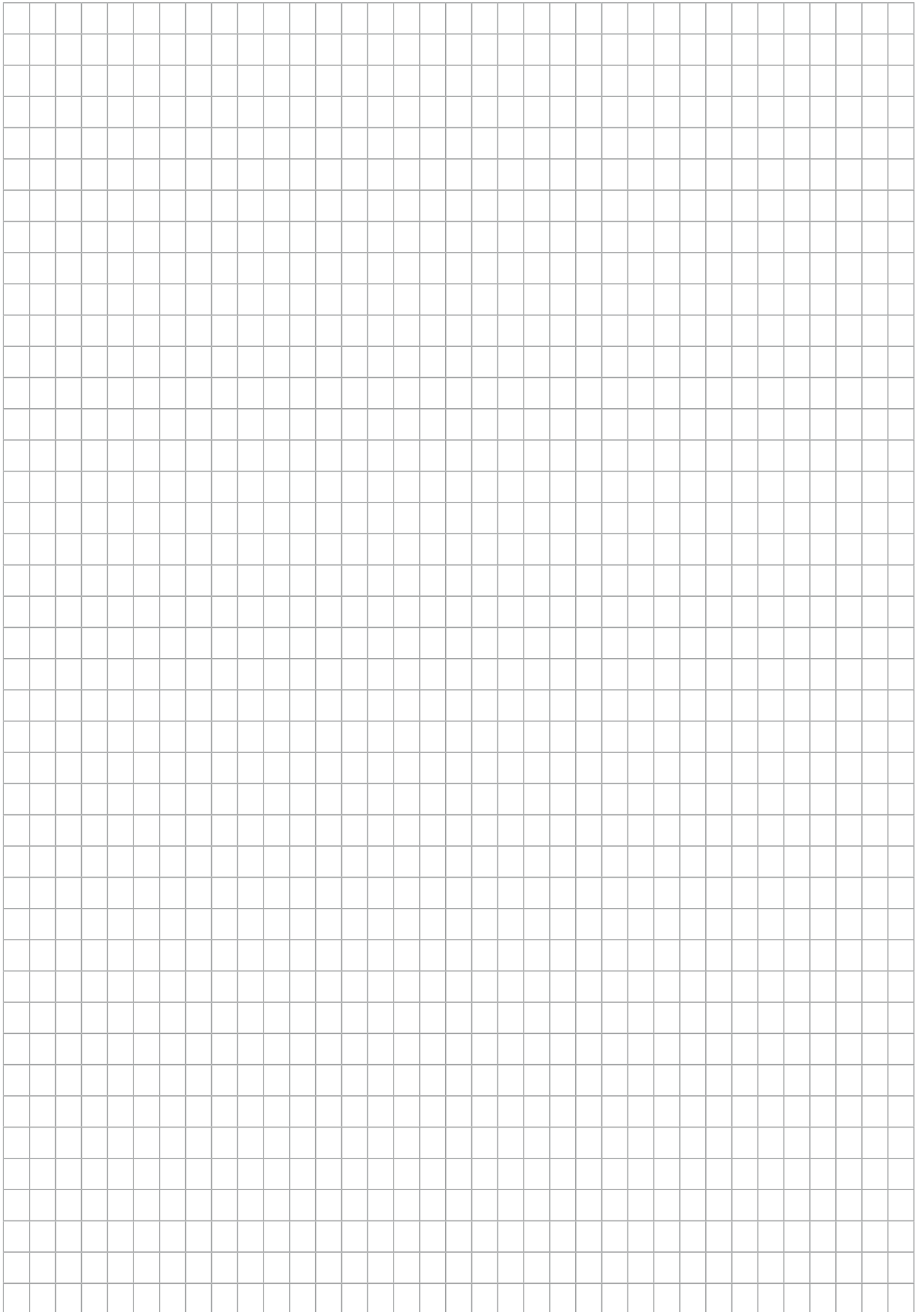
- C 230-... Eco boilers, operating at 40/30 °C
- Compulsory flue damper system at the boiler outlet (optional package GV 24)

Note: These lengths are given as a guide. De Dietrich's liability may in no event be invoked. For configurations of different assemblies, please consult us for a specific calculation.

⇒ Options that must be be ordered for configuration B_{23P} in the case of cascade installations

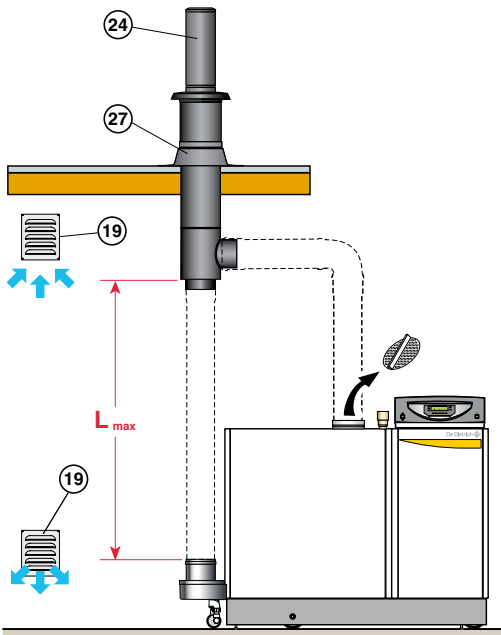
Description	Dimensional diagrams	Package Reference	Comments
Motorised flue damper		<p>49</p> <p>FUMU_F0070</p> <p>GV 24 100011033</p>	If a cascade is over pressurised, the installation of one flue damper per boiler prevents blow back of combustion products to the boilers that have been shut down.

NOTES



2 CONFIGURATION C₃₃ - CONCENTRIC ALU/GALVA VERTICAL FORCED FLUE (CONNECTION TO FLAT ROOF)

C 310 Eco



Lmax: Consult us

FUMI_F0037

↳ Accessoires en Alu/Galva disponibles:

Vertical forced flue in Alu/Galva (24)

Ø 200/300 mm	Ref.
DY 851	51202
Ø 250/350 mm	Ref.
DY 852	51203

	A	B	C	D	E
DY 851	200	200	1680	2350	400
DY 852	250	250	1685	2500	530

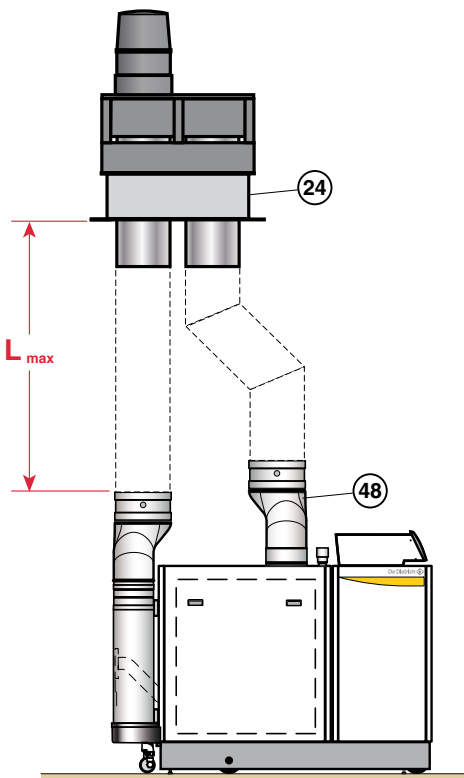
Flashing for flat roof (27)

Ø 300 mm	Ref.
DY 853	46157
Ø 350 mm	Ref.
DY 854	46158

	F	G
DY 853	640	318
DY 854	690	368

FUMI_F0037

C 610 Eco



Lmax: Consult us

FUMI_F0069

↳ Alu accessories available:

Vertical forced flue (24)

Ø 2 x 350 mm	Ref.
DY 867	100005670

Air inlet collector (48)

Ø 2 x 250 to 350 mm	Ref.
-	S59704

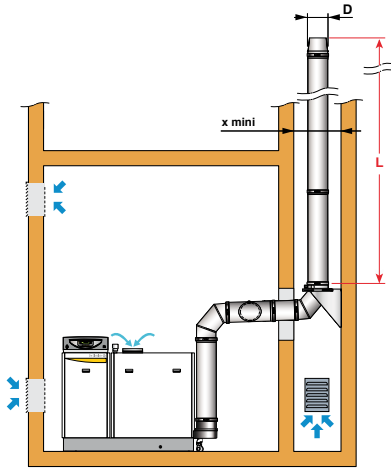
FUMI_F0069

6 7 CONFIGURATION B₂₃P - CONNECTION TO A CHIMNEY (SINGLE BOILER OR CASCADE INSTALLATION)

C 310 Eco, C 610 Eco

Single boiler

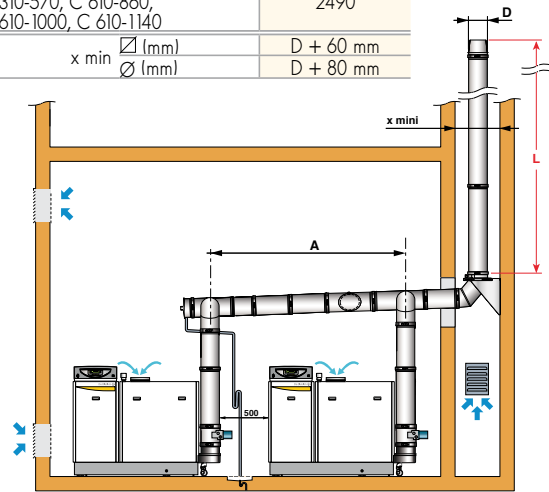
x min	∇ (mm)	D + 60 mm
	∅ (mm)	D + 80 mm



C310_F0007B

Cascade installation

C 310-280, C 310-350, C 610-700	A (mm)	2100
C 310-430, C 310-500, C 310-570, C 610-860, C 610-1000, C 610-1140	A (mm)	2490
x min	∇ (mm)	D + 60 mm
	∅ (mm)	D + 80 mm

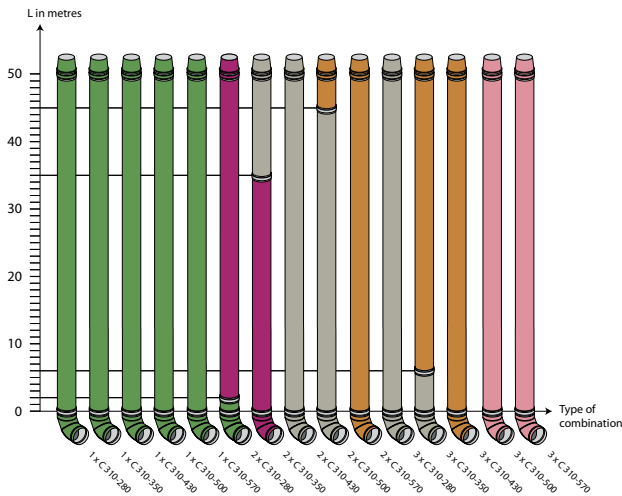


C310_F0008B

Maximum admissible length L (in m) depending on the ∅ of the pipe D (in mm) for single boiler or for various "cascade" combinations

(These lengths have been defined according to the dimensional constraints given in the above diagrams. For different dimensional constraints, consult us).

C 310... Eco

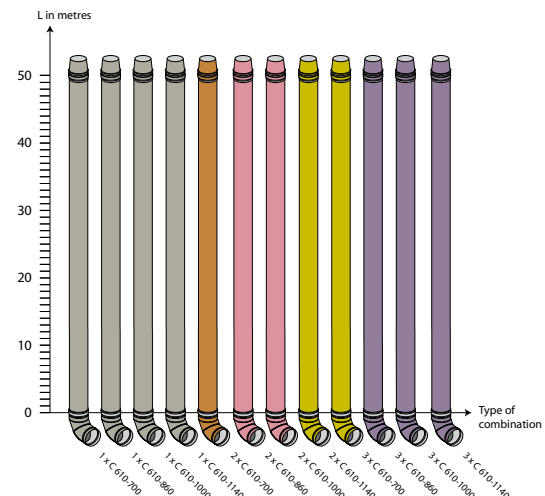


Key



- C 310... Eco/C 610... Eco boilers, operating at 40/30 °C
- Compulsory flue dampers at the boiler outlet in the case of cascades:
 - option (package GS 23) for C 310 Eco
 - fitted as standard to C 610 Eco
- Overpressure on boiler outlet less than 50 Pa

C 610... Eco



C310_F0009A

Note: These lengths are given as a guide. De Dietrich's liability may in no event be invoked. For configurations of different assemblies, please consult us for a specific calculation.

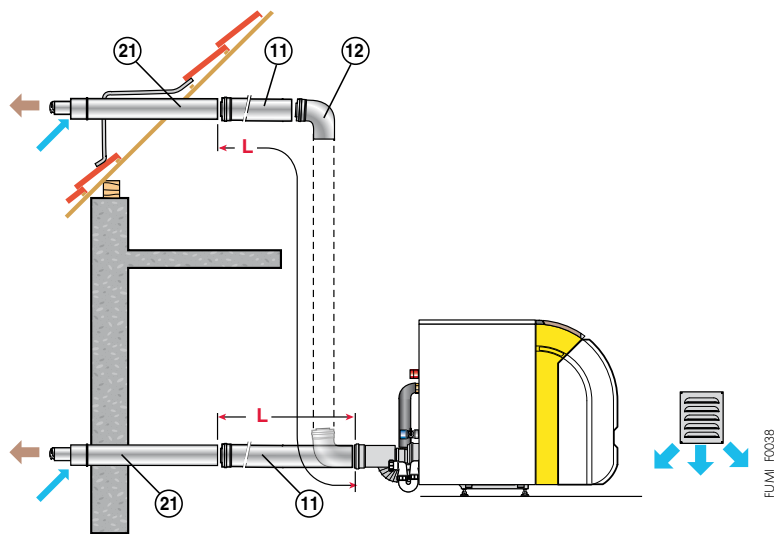
Options that must be ordered for configuration B₂₃P in the case of C 310 Eco boilers installed in cascade:

Description	Dimensional diagrams	Package Reference	Comments
Motorised flue damper ∅ 250 mm for C 310 Eco		49 GS 23 100002457	If a cascade is over pressurised, the installation of one flue damper per boiler prevents blow back of combustion products to the boilers that have been shut down.

FUMI_F0048

1 CONFIGURATION C_{13x} - CONCENTRIC HORIZONTAL FORCED FLUE ALU/PPS (CONNECTION TO AN EXTERNAL WALL OR A ROOF OUTLET)

GTU C 120/1200 FF, WINGO SFC... FF



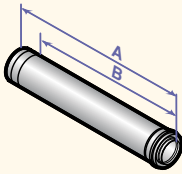
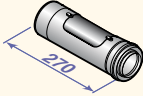
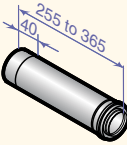
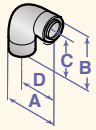
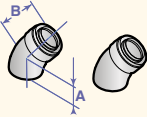
Boiler type	connect. Ø (mm)	Lmax (m) 80/125
GTU C 120/1200 FF		8
WINGO SFC... FF		8

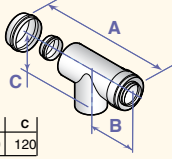
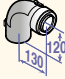
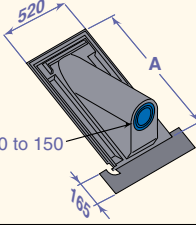
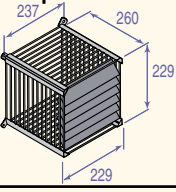
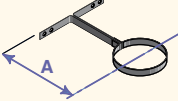
connect. Ø (mm)	Equivalent length (m) 80/125
87° elbow	1,5
45° elbow	1
Staight inspection pipe	0,6
Inspection T	2,6
Inspection elbow	2

⇒ Alu/PPS flue systems accessories for connection to a horizontal forced flue, delivered with the GTU C... FF HOR boiler:

Description	Diagrams with Dimensions/References	Boiler types	GTU C 120 FF WINGO SFC... FF
		connect. Ø (mm)	80/125
		Package/Ref.	
Horizontal forced flue Ø 80/125 mm		FM 183 100007638	X

⇒ Other Alu/PPS flue systems accessories available:

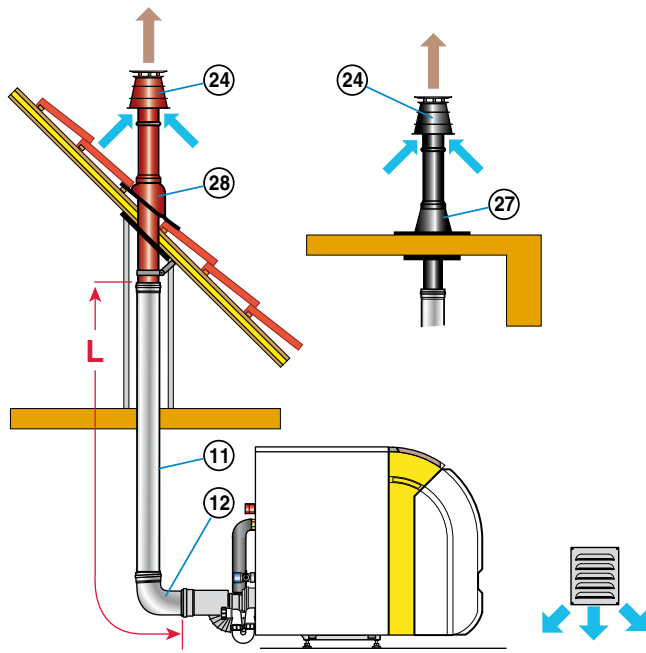
Concentric extension 	11	\varnothing 80/125 mm	L (mm)	Ref.															
		DY 126	250	84887526															
		DY 127	500	84887527															
		DY 128	1000	84887528															
		DY 129	1950	84887529															
<table border="1"> <thead> <tr> <th></th> <th>A</th> <th>B</th> </tr> </thead> <tbody> <tr> <td>DY 126</td> <td>250</td> <td>200</td> </tr> <tr> <td>DY 127</td> <td>500</td> <td>450</td> </tr> <tr> <td>DY 128</td> <td>1000</td> <td>950</td> </tr> <tr> <td>DY 129</td> <td>1950</td> <td>1900</td> </tr> </tbody> </table>		A	B	DY 126	250	200	DY 127	500	450	DY 128	1000	950	DY 129	1950	1900				
	A	B																	
DY 126	250	200																	
DY 127	500	450																	
DY 128	1000	950																	
DY 129	1950	1900																	
Straight inspection pipe concentric 	7	\varnothing 80/125 mm		Ref.															
		DY 124		84887524															
Concentric compensation sleeve 	17	\varnothing 80/125 mm		Ref.															
		DY 130		84887530															
Concentric elbow at 87° 	12	\varnothing 80/125 mm	Angle	Ref.															
		DY 131	87°	84887531															
		DY 132	45° (2-pieces)	84887532															
<table border="1"> <thead> <tr> <th></th> <th>A</th> <th>B</th> <th>C</th> <th>D</th> </tr> </thead> <tbody> <tr> <td>DY 131</td> <td>183</td> <td>185</td> <td>120</td> <td>130</td> </tr> </tbody> </table>		A	B	C	D	DY 131	183	185	120	130									
	A	B	C	D															
DY 131	183	185	120	130															
at 45° 																			
<table border="1"> <thead> <tr> <th></th> <th>A</th> <th>B</th> </tr> </thead> <tbody> <tr> <td>DY 132</td> <td>90</td> <td>90</td> </tr> </tbody> </table>		A	B	DY 132	90	90													
	A	B																	
DY 132	90	90																	

Concentric inspection T 	8	\varnothing 80/125 mm	Ref.								
		DY 125	84887525								
<table border="1"> <thead> <tr> <th>DY 125</th> <th>A</th> <th>B</th> <th>C</th> </tr> </thead> <tbody> <tr> <td></td> <td>270</td> <td>140</td> <td>120</td> </tr> </tbody> </table>	DY 125	A	B	C		270	140	120			
DY 125	A	B	C								
	270	140	120								
Concentric inspection elbow 	23	\varnothing 80/125 mm	Ref.								
		DY 875	100008311								
Roof outlet (for mechanical tiles only) 	22	Roof with slope of 30 to 45°	Ref.								
		DY 11	84887411								
		Roof with slope of 40 to 55°	Ref.								
<table border="1"> <thead> <tr> <th></th> <th>A</th> </tr> </thead> <tbody> <tr> <td>CX 49</td> <td>700</td> </tr> <tr> <td>DY 11</td> <td>880</td> </tr> </tbody> </table>		A	CX 49	700	DY 11	880		CX 49	84837729		
	A										
CX 49	700										
DY 11	880										
Stainless steel protection basket 	25	for \varnothing 80/125 mm	Ref.								
		DY 865	100005002								
Fastening collar 	29	\varnothing 125 mm	Ref.								
		CX 118 (short lug)	84837718								
		CX 79 (long lug)	84837779								
<table border="1"> <thead> <tr> <th></th> <th>A</th> </tr> </thead> <tbody> <tr> <td>CX 118</td> <td>125</td> </tr> <tr> <td>CX 79</td> <td>232</td> </tr> </tbody> </table>		A	CX 118	125	CX 79	232					
	A										
CX 118	125										
CX 79	232										

FUMI_FC0398

2 CONFIGURATION C_{33x} - CONCENTRIC VERTICAL FORCED FLUE ALU/PPS (CONNECTION TO SLOPING ROOF OR FLAT ROOF)

GTU C 120/1200 FF, WINGO SFC... FF



FUWLF040A

Boiler type	connect. Ø (mm)	Lmax (m) 80/125
GTU C 120/1200 FF		8
WINGO SFC... FF		8

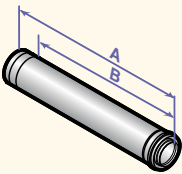
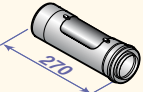
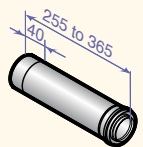
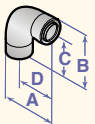
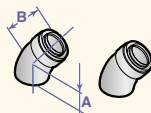
connect. Ø (mm)	Equivalent length (m) 80/125
87° elbow	1,5
45° elbow	1
Straight inspection pipe	0,6
Inspection T	2,6
Inspection elbow	2

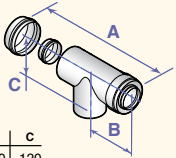
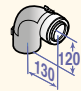
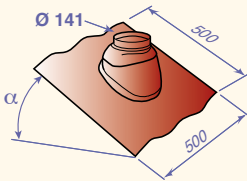
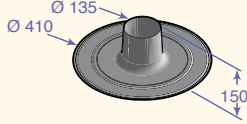
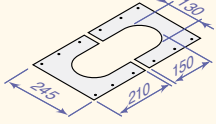
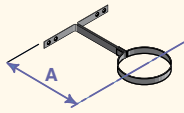
⇒ Alu/PPS flue systems accessories for connection to a vertical forced flue, delivered with the GTU C... FF VER boiler:

Description	Diagrams with Dimensions/References	Boiler types	GTU C 120 FF WINGO SFC... FF										
		connect. Ø (mm)	80/125										
Package/Ref.													
Vertical forced flue Ø 80/125 mm (red or black)		DY 843 100002732 (black) or DY 844 100002733 (red)	X										
Concentric elbow at 87°	<table border="1" style="margin-top: 10px;"> <thead> <tr> <th></th> <th>A</th> <th>B</th> <th>C</th> <th>D</th> </tr> </thead> <tbody> <tr> <td>DY 131</td> <td>183</td> <td>185</td> <td>120</td> <td>130</td> </tr> </tbody> </table>		A	B	C	D	DY 131	183	185	120	130	DY 131 84887531	X
	A	B	C	D									
DY 131	183	185	120	130									

FUWLF040A

⇒ Other Alu/PPS flue systems accessories available:

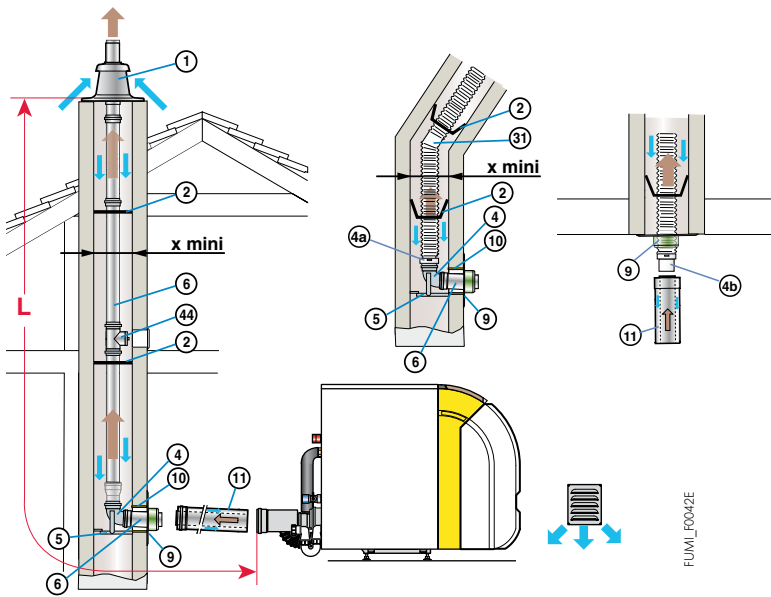
Concentric extension 	⑪ Ø 80/125 mm L (mm) Ref.	DY 126	250	84887526															
		DY 127	500	84887527															
		DY 128	1000	84887528															
		DY 129	1950	84887529															
<table border="1"> <thead> <tr> <th></th> <th>A</th> <th>B</th> </tr> </thead> <tbody> <tr> <td>DY 126</td> <td>250</td> <td>200</td> </tr> <tr> <td>DY 127</td> <td>500</td> <td>450</td> </tr> <tr> <td>DY 128</td> <td>1000</td> <td>950</td> </tr> <tr> <td>DY 129</td> <td>1950</td> <td>1900</td> </tr> </tbody> </table>		A	B	DY 126	250	200	DY 127	500	450	DY 128	1000	950	DY 129	1950	1900				
	A	B																	
DY 126	250	200																	
DY 127	500	450																	
DY 128	1000	950																	
DY 129	1950	1900																	
Concentric straight inspection pipe 	⑦ Ø 80/125 mm DY 124 Ref. 84887524																		
Concentric compensation sleeve 	⑰ Ø 80/125 mm DY 130 Ref. 84887530																		
Concentric elbow at 87° 	⑫ Ø 80/125 mm Angle Ref.	DY 131	87°	84887531															
		DY 132	45° (2-pieces)	84887532															
<table border="1"> <thead> <tr> <th></th> <th>A</th> <th>B</th> <th>C</th> <th>D</th> </tr> </thead> <tbody> <tr> <td>DY 131</td> <td>183</td> <td>185</td> <td>120</td> <td>130</td> </tr> </tbody> </table>		A	B	C	D	DY 131	183	185	120	130									
	A	B	C	D															
DY 131	183	185	120	130															
at 45° 																			
<table border="1"> <thead> <tr> <th></th> <th>A</th> <th>B</th> </tr> </thead> <tbody> <tr> <td>DY 132</td> <td>90</td> <td>90</td> </tr> </tbody> </table>		A	B	DY 132	90	90													
	A	B																	
DY 132	90	90																	

Concentric inspection T 	⑧ Ø 80/125 mm DY 125 Ref. 84887525											
<table border="1"> <thead> <tr> <th></th> <th>A</th> <th>B</th> <th>C</th> </tr> </thead> <tbody> <tr> <td>DY 125</td> <td>270</td> <td>130</td> <td>120</td> </tr> </tbody> </table>		A	B	C	DY 125	270	130	120				
	A	B	C									
DY 125	270	130	120									
Concentric inspection elbow 	⑳ Ø 80/125 mm DY 875 Ref. 100008311											
Flue tile 	㉘ for Ø 80/125 mm Slope/Col. Ref.											
		CX 121	5 to 25° black	84837121								
		CX 120	5 to 25° red	84837120								
		CX 52	25 to 45° black	84837732								
		CX 83	25 to 45° red	84837783								
		CX 63	35 to 55° black	84837734								
		CX 84	35 to 55° red	84837784								
Water tightness bed plate for flat roof 	㉚ for Ø 80/125 mm CX 51 Ref. 84837731											
Internal finishing plate 	㉛ for Ø 80/125 mm CX 72 Ref. 84837741											
Fastening collar 	㉜ Ø 125 mm CX 118 (short lug) CX 79 (long lug) Ref. 84837718 84837779											

FUJMI_F0041A

3 CONFIGURATION C_{93x} - CONCENTRIC ALU/PPS PIPES IN BOILER ROOM, (COMBUSTIVE AIR IN COUNTER-CURRENT)

GTU C 120/1200 FF, WINGO SFC... FF



Boiler type	connect. Ø (mm) - in boiler room - to chimney	Lmax (m) 80/125	
		80 rigid	80 flex
GTU C 120/1200 FF		18	15
WINGO SFC... FF		18	15
	x min □ (mm)	140	140
	Ø (mm)	160	160

connect. Ø (mm)	Equivalent length (m)		
	80/125	80 rigid	80 conduit
87° elbow	1,5	1,9	-
45° elbow	1	1,2	-
Straight inspection pipe	0,6	0,3	0,3
Inspection T	2,6	4,2	-
Inspection elbow	2	0,7	-

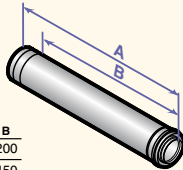
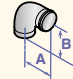

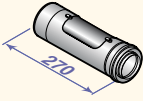
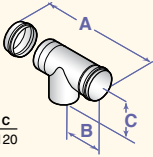
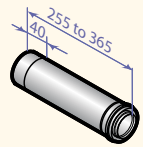

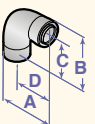
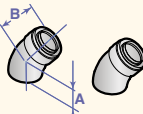
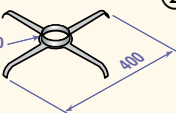
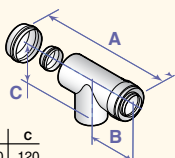
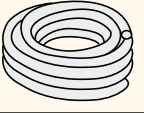
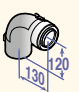
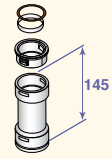
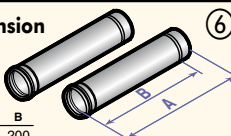
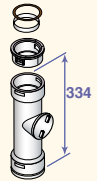
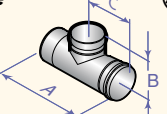

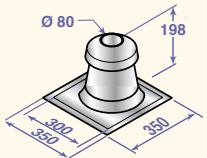
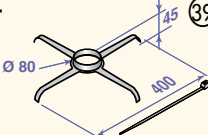

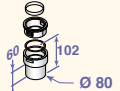
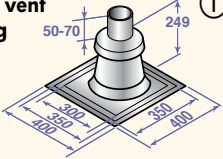
➔ Alu/PPS or PPS flue systems accessories needed at the very least for air/flue gas connection using rigid or flex pipes in an existing chimney flue:

Description	Diagrams with Dimensions/References	Boiler type	GTU C 120 FF, WINGO SFC... FF		
			connect. Ø (mm)	- in the boiler room: 80/125	
				in the chimney: 80 rigid	perpendicular to the conduit
Chimney connection kit Ø 80 mm rigid		DY 717 84887717	X		
Chimney connection kit Ø 80 mm pipe		DY 895 100015325		X	
Boiler connection kit Ø 85/125 mm in conduit		⑫ DY 850 100003272			X
Elbow at 87° concentric		DY 131 84887531			X
Adapter flex pipe		④ DY 904 100015880			X
Sleeve Ø 141 mm		DY 763 84887763	X	X	X
Finishing plate Ø 125 mm		DY 758 84887758	X	X	X
Air/flue gas vent with flashing for flex pipe		① DY 899 100015329			X
Flex pipe Ø 80 mm L 12.5 m (1)		③① DY 897 100015327		X	X

(1) other flex pipe lengths available - see next page

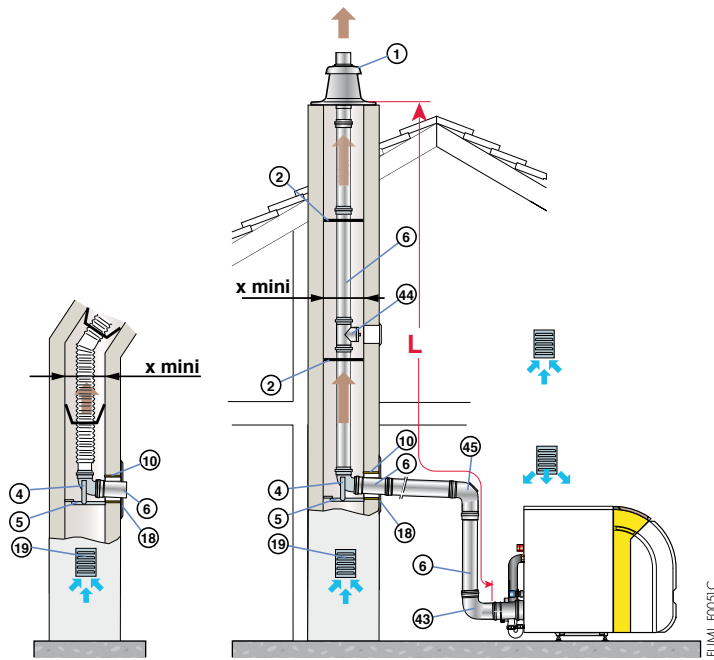
SINGLE "RIGID" OR "FLEX" PPS PIPES IN CHIMNEY

⇒ Other concentric Alu/PPS and single PPS (rigid or flex) flue systems accessories available:

<p>Concentric extension</p>  <p>⑪</p> <table border="1" data-bbox="159 414 295 492"> <thead> <tr> <th>DY</th> <th>A</th> <th>B</th> </tr> </thead> <tbody> <tr> <td>DY 126</td> <td>250</td> <td>200</td> </tr> <tr> <td>DY 127</td> <td>500</td> <td>450</td> </tr> <tr> <td>DY 128</td> <td>1000</td> <td>950</td> </tr> </tbody> </table>	DY	A	B	DY 126	250	200	DY 127	500	450	DY 128	1000	950	<table border="1"> <thead> <tr> <th>Ø 80/125 mm</th> <th>L (mm)</th> <th>Ref.</th> </tr> </thead> <tbody> <tr> <td>DY 126</td> <td>250</td> <td>84887526</td> </tr> <tr> <td>DY 127</td> <td>500</td> <td>84887527</td> </tr> <tr> <td>DY 128</td> <td>1000</td> <td>84887528</td> </tr> <tr> <td>DY 129</td> <td>1950</td> <td>84887529</td> </tr> </tbody> </table>	Ø 80/125 mm	L (mm)	Ref.	DY 126	250	84887526	DY 127	500	84887527	DY 128	1000	84887528	DY 129	1950	84887529	<p>Single elbow at 87°</p>  <p>④③</p> <table border="1" data-bbox="837 324 981 369"> <thead> <tr> <th>DY</th> <th>A</th> <th>B</th> </tr> </thead> <tbody> <tr> <td>DY 152</td> <td>130</td> <td>120</td> </tr> </tbody> </table> <p>at 45°</p>  <p>2x</p> <table border="1" data-bbox="837 436 981 481"> <thead> <tr> <th>DY</th> <th>C</th> <th>D</th> </tr> </thead> <tbody> <tr> <td>DY 154</td> <td>90</td> <td>90</td> </tr> </tbody> </table>	DY	A	B	DY 152	130	120	DY	C	D	DY 154	90	90	<table border="1"> <thead> <tr> <th>Ø 80 mm</th> <th>Angle</th> <th>Ref.</th> </tr> </thead> <tbody> <tr> <td>DY 152</td> <td>87°</td> <td>84887552</td> </tr> <tr> <td>DY 154</td> <td>45° (2-pieces)</td> <td>84887554</td> </tr> </tbody> </table>	Ø 80 mm	Angle	Ref.	DY 152	87°	84887552	DY 154	45° (2-pieces)	84887554
DY	A	B																																																	
DY 126	250	200																																																	
DY 127	500	450																																																	
DY 128	1000	950																																																	
Ø 80/125 mm	L (mm)	Ref.																																																	
DY 126	250	84887526																																																	
DY 127	500	84887527																																																	
DY 128	1000	84887528																																																	
DY 129	1950	84887529																																																	
DY	A	B																																																	
DY 152	130	120																																																	
DY	C	D																																																	
DY 154	90	90																																																	
Ø 80 mm	Angle	Ref.																																																	
DY 152	87°	84887552																																																	
DY 154	45° (2-pieces)	84887554																																																	
<p>Staight inspection pipe concentric</p>  <p>⑦</p>	<table border="1"> <thead> <tr> <th>Ø 80/125 mm</th> <th>Ref.</th> </tr> </thead> <tbody> <tr> <td>DY 124</td> <td>84887524</td> </tr> </tbody> </table>	Ø 80/125 mm	Ref.	DY 124	84887524	<p>Inspection T single</p>  <p>④④</p> <table border="1" data-bbox="837 616 1013 660"> <thead> <tr> <th>DY</th> <th>A</th> <th>B</th> <th>C</th> </tr> </thead> <tbody> <tr> <td>DY 163</td> <td>261</td> <td>142</td> <td>120</td> </tr> </tbody> </table>	DY	A	B	C	DY 163	261	142	120	<table border="1"> <thead> <tr> <th>Ø 80 mm</th> <th>Ref.</th> </tr> </thead> <tbody> <tr> <td>DY 163</td> <td>84887563</td> </tr> </tbody> </table>	Ø 80 mm	Ref.	DY 163	84887563																																
Ø 80/125 mm	Ref.																																																		
DY 124	84887524																																																		
DY	A	B	C																																																
DY 163	261	142	120																																																
Ø 80 mm	Ref.																																																		
DY 163	84887563																																																		
<p>Concentric compensation sleeve</p>  <p>⑩⑦</p>	<table border="1"> <thead> <tr> <th>Ø 80/125 mm</th> <th>Ref.</th> </tr> </thead> <tbody> <tr> <td>DY 130</td> <td>84887530</td> </tr> </tbody> </table>	Ø 80/125 mm	Ref.	DY 130	84887530	<p>Inspection elbow single</p>  <p>④⑤</p>	<table border="1"> <thead> <tr> <th>Ø 80 mm</th> <th>Ref.</th> </tr> </thead> <tbody> <tr> <td>DY 877</td> <td>100008301</td> </tr> </tbody> </table>	Ø 80 mm	Ref.	DY 877	100008301																																								
Ø 80/125 mm	Ref.																																																		
DY 130	84887530																																																		
Ø 80 mm	Ref.																																																		
DY 877	100008301																																																		
<p>Concentric elbow at 87°</p>  <p>⑩②</p> <table border="1" data-bbox="159 1019 327 1064"> <thead> <tr> <th>DY</th> <th>A</th> <th>B</th> <th>C</th> <th>D</th> </tr> </thead> <tbody> <tr> <td>DY 131</td> <td>183</td> <td>185</td> <td>120</td> <td>130</td> </tr> </tbody> </table> <p>at 45°</p>  <table border="1" data-bbox="159 1176 279 1220"> <thead> <tr> <th>DY</th> <th>A</th> <th>B</th> </tr> </thead> <tbody> <tr> <td>DY 132</td> <td>90</td> <td>90</td> </tr> </tbody> </table>	DY	A	B	C	D	DY 131	183	185	120	130	DY	A	B	DY 132	90	90	<table border="1"> <thead> <tr> <th>Ø 80/125 mm</th> <th>Angle</th> <th>Ref.</th> </tr> </thead> <tbody> <tr> <td>DY 131</td> <td>87°</td> <td>84887531</td> </tr> <tr> <td>DY 132</td> <td>45° (2-pieces)</td> <td>84887532</td> </tr> </tbody> </table>	Ø 80/125 mm	Angle	Ref.	DY 131	87°	84887531	DY 132	45° (2-pieces)	84887532	<p>Centering star for rigid pipe</p>  <p>②</p>	<table border="1"> <thead> <tr> <th>Ø 80 mm</th> <th>Ref.</th> </tr> </thead> <tbody> <tr> <td>DY 151 (2 pieces)</td> <td>84887551</td> </tr> </tbody> </table>	Ø 80 mm	Ref.	DY 151 (2 pieces)	84887551																			
DY	A	B	C	D																																															
DY 131	183	185	120	130																																															
DY	A	B																																																	
DY 132	90	90																																																	
Ø 80/125 mm	Angle	Ref.																																																	
DY 131	87°	84887531																																																	
DY 132	45° (2-pieces)	84887532																																																	
Ø 80 mm	Ref.																																																		
DY 151 (2 pieces)	84887551																																																		
<p>Inspection T concentric</p>  <p>⑧</p> <table border="1" data-bbox="159 1377 335 1422"> <thead> <tr> <th>DY</th> <th>A</th> <th>B</th> <th>C</th> </tr> </thead> <tbody> <tr> <td>DY 125</td> <td>270</td> <td>130</td> <td>120</td> </tr> </tbody> </table>	DY	A	B	C	DY 125	270	130	120	<table border="1"> <thead> <tr> <th>Ø 80/125 mm</th> <th>Ref.</th> </tr> </thead> <tbody> <tr> <td>DY 125</td> <td>84887525</td> </tr> </tbody> </table>	Ø 80/125 mm	Ref.	DY 125	84887525	<p>Flex pipe</p>  <table border="1" data-bbox="853 996 997 1041"> <thead> <tr> <th>DY</th> <th>Length</th> </tr> </thead> <tbody> <tr> <td>DY 897</td> <td>12.5 m</td> </tr> <tr> <td>DY 896</td> <td>50 m</td> </tr> </tbody> </table> <p>③①</p>	DY	Length	DY 897	12.5 m	DY 896	50 m	<table border="1"> <thead> <tr> <th>Ø 80 mm</th> <th>L (m)</th> <th>Ref.</th> </tr> </thead> <tbody> <tr> <td>DY 897</td> <td>12,5</td> <td>100015327</td> </tr> <tr> <td>DY 896</td> <td>50</td> <td>100015326</td> </tr> </tbody> </table>	Ø 80 mm	L (m)	Ref.	DY 897	12,5	100015327	DY 896	50	100015326																					
DY	A	B	C																																																
DY 125	270	130	120																																																
Ø 80/125 mm	Ref.																																																		
DY 125	84887525																																																		
DY	Length																																																		
DY 897	12.5 m																																																		
DY 896	50 m																																																		
Ø 80 mm	L (m)	Ref.																																																	
DY 897	12,5	100015327																																																	
DY 896	50	100015326																																																	
<p>Inspection elbow concentric</p>  <p>⑩③</p>	<table border="1"> <thead> <tr> <th>Ø 80/125 mm</th> <th>Ref.</th> </tr> </thead> <tbody> <tr> <td>DY 875</td> <td>100008311</td> </tr> </tbody> </table>	Ø 80/125 mm	Ref.	DY 875	100008311	<p>Coupling component for flex pipe</p>  <p>③②</p>	<table border="1"> <thead> <tr> <th>Ø 80 mm</th> <th>Ref.</th> </tr> </thead> <tbody> <tr> <td>DY 898</td> <td>100015328</td> </tr> </tbody> </table>	Ø 80 mm	Ref.	DY 898	100015328																																								
Ø 80/125 mm	Ref.																																																		
DY 875	100008311																																																		
Ø 80 mm	Ref.																																																		
DY 898	100015328																																																		
<p>Single extension</p>  <p>⑥</p> <table border="1" data-bbox="159 1668 311 1769"> <thead> <tr> <th>DY</th> <th>A</th> <th>B</th> </tr> </thead> <tbody> <tr> <td>DY 613</td> <td>250</td> <td>200</td> </tr> <tr> <td>DY 614</td> <td>500</td> <td>450</td> </tr> <tr> <td>DY 615</td> <td>1000</td> <td>950</td> </tr> <tr> <td>DY 150</td> <td>1950</td> <td>1900</td> </tr> </tbody> </table>	DY	A	B	DY 613	250	200	DY 614	500	450	DY 615	1000	950	DY 150	1950	1900	<table border="1"> <thead> <tr> <th>Ø 80 mm</th> <th>L (mm)</th> <th>Ref.</th> </tr> </thead> <tbody> <tr> <td>DY 613</td> <td>250 (2 pieces)</td> <td>84887613</td> </tr> <tr> <td>DY 614</td> <td>500 (2 pieces)</td> <td>84887614</td> </tr> <tr> <td>DY 615</td> <td>1000 (2 pieces)</td> <td>84887615</td> </tr> <tr> <td>DY 150</td> <td>1950 (2 pieces)</td> <td>84887550</td> </tr> </tbody> </table>	Ø 80 mm	L (mm)	Ref.	DY 613	250 (2 pieces)	84887613	DY 614	500 (2 pieces)	84887614	DY 615	1000 (2 pieces)	84887615	DY 150	1950 (2 pieces)	84887550	<p>Inspection pipe for flex pipe</p>  <p>③⑧</p>	<table border="1"> <thead> <tr> <th>Ø 80 mm</th> <th>Ref.</th> </tr> </thead> <tbody> <tr> <td>DY 900</td> <td>100015330</td> </tr> </tbody> </table>	Ø 80 mm	Ref.	DY 900	100015330														
DY	A	B																																																	
DY 613	250	200																																																	
DY 614	500	450																																																	
DY 615	1000	950																																																	
DY 150	1950	1900																																																	
Ø 80 mm	L (mm)	Ref.																																																	
DY 613	250 (2 pieces)	84887613																																																	
DY 614	500 (2 pieces)	84887614																																																	
DY 615	1000 (2 pieces)	84887615																																																	
DY 150	1950 (2 pieces)	84887550																																																	
Ø 80 mm	Ref.																																																		
DY 900	100015330																																																		
<p>Inspection sleeve single</p>  <p>④②</p> <table border="1" data-bbox="159 1881 295 1926"> <thead> <tr> <th>DY</th> <th>A</th> <th>B</th> <th>C</th> </tr> </thead> <tbody> <tr> <td>DY 146</td> <td>270</td> <td>75</td> <td>142</td> </tr> </tbody> </table>	DY	A	B	C	DY 146	270	75	142	<table border="1"> <thead> <tr> <th>Ø 80 mm</th> <th>Ref.</th> </tr> </thead> <tbody> <tr> <td>DY 146</td> <td>84887546</td> </tr> </tbody> </table>	Ø 80 mm	Ref.	DY 146	84887546	<p>Insertion tool for flex pipe</p>  <p>③③</p>	<table border="1"> <thead> <tr> <th>Ø 80 mm</th> <th>Ref.</th> </tr> </thead> <tbody> <tr> <td>DY 901</td> <td>100015331</td> </tr> </tbody> </table>	Ø 80 mm	Ref.	DY 901	100015331																																
DY	A	B	C																																																
DY 146	270	75	142																																																
Ø 80 mm	Ref.																																																		
DY 146	84887546																																																		
Ø 80 mm	Ref.																																																		
DY 901	100015331																																																		
<p>Air/flue gas vent with flashing for rigid pipe</p>  <p>①</p>	<table border="1"> <thead> <tr> <th>Ø 80 mm</th> <th>Ref.</th> </tr> </thead> <tbody> <tr> <td>DY 185</td> <td>84887585</td> </tr> </tbody> </table>	Ø 80 mm	Ref.	DY 185	84887585	<p>Centering star for flex pipe</p>  <p>③⑨</p>	<table border="1"> <thead> <tr> <th>Ø 80 mm</th> <th>Ref.</th> </tr> </thead> <tbody> <tr> <td>DY 618 (2 pieces)</td> <td>84887618</td> </tr> </tbody> </table>	Ø 80 mm	Ref.	DY 618 (2 pieces)	84887618																																								
Ø 80 mm	Ref.																																																		
DY 185	84887585																																																		
Ø 80 mm	Ref.																																																		
DY 618 (2 pieces)	84887618																																																		
		<p>Stainless steel protection screen for roof outlet</p>  <p>③④</p>	<table border="1"> <thead> <tr> <th>Ø 90 mm</th> <th>Ref.</th> </tr> </thead> <tbody> <tr> <td>-</td> <td>300007172</td> </tr> </tbody> </table>	Ø 90 mm	Ref.	-	300007172																																												
Ø 90 mm	Ref.																																																		
-	300007172																																																		
		<p>Adapters for flex pipe</p>  <p>①</p>	<table border="1"> <thead> <tr> <th>Ø 80 mm</th> <th>Ref.</th> </tr> </thead> <tbody> <tr> <td>DY 904</td> <td>100015880</td> </tr> </tbody> </table>	Ø 80 mm	Ref.	DY 904	100015880																																												
Ø 80 mm	Ref.																																																		
DY 904	100015880																																																		
		<p>Air/flue gas vent with flashing for flex pipe</p>  <p>①</p>	<table border="1"> <thead> <tr> <th>Ø 80 mm</th> <th>Ref.</th> </tr> </thead> <tbody> <tr> <td>DY 899</td> <td>100015329</td> </tr> </tbody> </table>	Ø 80 mm	Ref.	DY 899	100015329																																												
Ø 80 mm	Ref.																																																		
DY 899	100015329																																																		

6 CONFIGURATION B_{23p} - CONNECTION TO A CHIMNEY USING PPS PIPES (COMBUSTIVE AIR TAKEN FROM THE BOILER ROOM)

GTU C 120, WINGO SFC...



Boiler type	connect. Ø (mm)	Lmax (m)	
		80 rigid	80 flex
GTU C 120		18	15
WINGO SFC...		18	15
	x min □ (mm)	160	160
	x min Ø (mm)	140	140

NB: to prevent noise transmission, do not brick the conduit into the chimney.

connect. Ø (mm)	Equivalent length (m)	
	80 rigid	80 flex
87° elbow	1,9	-
45° elbow	1,2	-
Straight inspection pipe	0,3	0,3
Inspection T	4,2	-
Inspection elbow	0,7	-

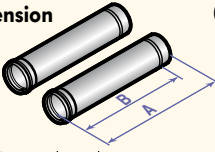
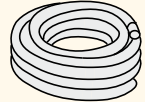
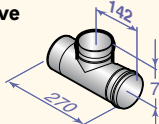
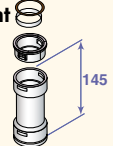
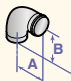
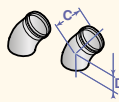
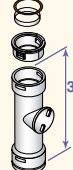
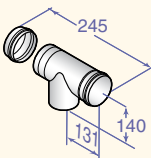
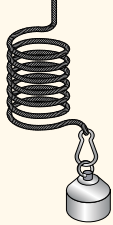
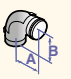
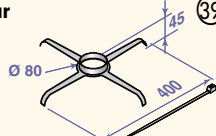
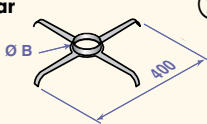
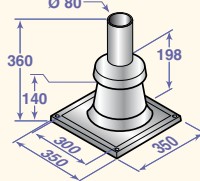

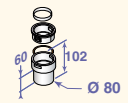
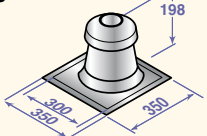

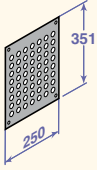
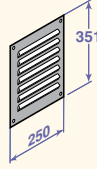
⇒ PPS flue systems accessories needed at the very least for connection to the chimney using rigid pipes in the boiler room and flex pipes in the chimney:

Description	Diagrams with Dimensions/References	Boiler types	GTU C 120 WINGO SFC	
		connect. Ø (mm)	80 rigid	80 flex
		Package/Ref.		
Chimney connection kit Ø 80 mm PPS rigid		DY 717 84887717	X	
Boiler connection kit Ø 80 mm PPS flex		DY 895 100015325		X
Sleeve Ø 124 mm		DY 753 84887753	X	
Finishing plate Ø 80 mm		DY 757 84887757	X	
Flex pipe Ø 80 mm L 12.5 m (1)		DY 897 100015327		X

(1) other flex pipe lengths available - see next page

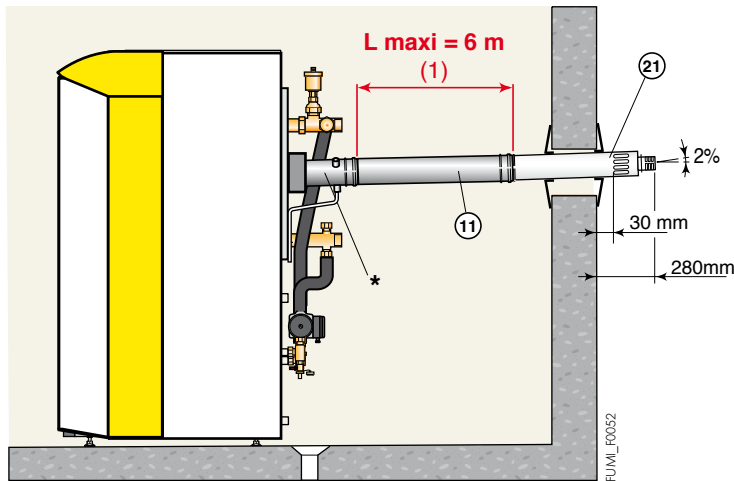
RIGID IN THE BOILER ROOM, RIGID OR FLEX IN THE CHIMNEY

⇒ Other PPS (rigid or flex) single flue systems accessories available:

<p>Single extension ⑥</p>  <table border="1" data-bbox="159 421 399 515"> <thead> <tr> <th></th> <th>A</th> <th>B</th> </tr> </thead> <tbody> <tr> <td>DY 613</td> <td>250</td> <td>200</td> </tr> <tr> <td>DY 614</td> <td>500</td> <td>450</td> </tr> <tr> <td>DY 615</td> <td>1000</td> <td>950</td> </tr> <tr> <td>DY 150</td> <td>1950</td> <td>1900</td> </tr> </tbody> </table>		A	B	DY 613	250	200	DY 614	500	450	DY 615	1000	950	DY 150	1950	1900	<table border="1"> <thead> <tr> <th>Ø 80 mm</th> <th>L (mm)</th> <th>Ref.</th> </tr> </thead> <tbody> <tr> <td>DY 613</td> <td>250 (2 pieces)</td> <td>84887613</td> </tr> <tr> <td>DY 614</td> <td>500 (2 pieces)</td> <td>84887614</td> </tr> <tr> <td>DY 615</td> <td>1000 (2 pieces)</td> <td>84887615</td> </tr> <tr> <td>DY 150</td> <td>1950 (2 pieces)</td> <td>84887550</td> </tr> </tbody> </table>	Ø 80 mm	L (mm)	Ref.	DY 613	250 (2 pieces)	84887613	DY 614	500 (2 pieces)	84887614	DY 615	1000 (2 pieces)	84887615	DY 150	1950 (2 pieces)	84887550	<p>Flex pipe ③①</p>  <table border="1" data-bbox="837 324 965 380"> <tbody> <tr> <td>DY 897</td> <td>12,5 m</td> </tr> <tr> <td>DY 896</td> <td>50 m</td> </tr> </tbody> </table>	DY 897	12,5 m	DY 896	50 m	<table border="1"> <thead> <tr> <th>Ø 80 mm</th> <th>L (m)</th> <th>Ref.</th> </tr> </thead> <tbody> <tr> <td>DY 897</td> <td>12,5</td> <td>100015327</td> </tr> <tr> <td>DY 896</td> <td>50</td> <td>100015326</td> </tr> </tbody> </table>	Ø 80 mm	L (m)	Ref.	DY 897	12,5	100015327	DY 896	50	100015326
	A	B																																												
DY 613	250	200																																												
DY 614	500	450																																												
DY 615	1000	950																																												
DY 150	1950	1900																																												
Ø 80 mm	L (mm)	Ref.																																												
DY 613	250 (2 pieces)	84887613																																												
DY 614	500 (2 pieces)	84887614																																												
DY 615	1000 (2 pieces)	84887615																																												
DY 150	1950 (2 pieces)	84887550																																												
DY 897	12,5 m																																													
DY 896	50 m																																													
Ø 80 mm	L (m)	Ref.																																												
DY 897	12,5	100015327																																												
DY 896	50	100015326																																												
<p>Inspection sleeve single ④②</p> 	<table border="1"> <thead> <tr> <th>Ø 80 mm</th> <th>Ref.</th> </tr> </thead> <tbody> <tr> <td>DY 146</td> <td>84887546</td> </tr> </tbody> </table>	Ø 80 mm	Ref.	DY 146	84887546	<p>Coupling component for flex pipe ③②</p> 	<table border="1"> <thead> <tr> <th>Ø 80 mm</th> <th>Ref.</th> </tr> </thead> <tbody> <tr> <td>DY 898</td> <td>100015328</td> </tr> </tbody> </table>	Ø 80 mm	Ref.	DY 898	100015328																																			
Ø 80 mm	Ref.																																													
DY 146	84887546																																													
Ø 80 mm	Ref.																																													
DY 898	100015328																																													
<p>Single elbow at 87° ④③</p>  <table border="1" data-bbox="159 750 303 795"> <thead> <tr> <th></th> <th>A</th> <th>B</th> </tr> </thead> <tbody> <tr> <td>DY 152</td> <td>130</td> <td>120</td> </tr> </tbody> </table> <p>Single elbow at 45°</p>  <table border="1" data-bbox="159 884 303 918"> <thead> <tr> <th></th> <th>C</th> <th>D</th> </tr> </thead> <tbody> <tr> <td>DY 154</td> <td>90</td> <td>90</td> </tr> </tbody> </table>		A	B	DY 152	130	120		C	D	DY 154	90	90	<table border="1"> <thead> <tr> <th>Ø 80 mm</th> <th>Angle</th> <th>Ref.</th> </tr> </thead> <tbody> <tr> <td>DY 152</td> <td>87°</td> <td>84887552</td> </tr> <tr> <td>DY 154</td> <td>45° (2-pieces)</td> <td>84887554</td> </tr> </tbody> </table>	Ø 80 mm	Angle	Ref.	DY 152	87°	84887552	DY 154	45° (2-pieces)	84887554	<p>Inspection pipe for flex pipe ③⑧</p> 	<table border="1"> <thead> <tr> <th>Ø 80 mm</th> <th>Ref.</th> </tr> </thead> <tbody> <tr> <td>DY 900</td> <td>100015330</td> </tr> </tbody> </table>	Ø 80 mm	Ref.	DY 900	100015330																		
	A	B																																												
DY 152	130	120																																												
	C	D																																												
DY 154	90	90																																												
Ø 80 mm	Angle	Ref.																																												
DY 152	87°	84887552																																												
DY 154	45° (2-pieces)	84887554																																												
Ø 80 mm	Ref.																																													
DY 900	100015330																																													
<p>Inspection T single ④④</p> 	<table border="1"> <thead> <tr> <th>Ø 80 mm</th> <th>Ref.</th> </tr> </thead> <tbody> <tr> <td>DY 163</td> <td>84887563</td> </tr> </tbody> </table>	Ø 80 mm	Ref.	DY 163	84887563	<p>Insertion tool for flex pipe ③③</p> 	<table border="1"> <thead> <tr> <th>Ø 80 mm</th> <th>Ref.</th> </tr> </thead> <tbody> <tr> <td>DY 901</td> <td>1000015331</td> </tr> </tbody> </table>	Ø 80 mm	Ref.	DY 901	1000015331																																			
Ø 80 mm	Ref.																																													
DY 163	84887563																																													
Ø 80 mm	Ref.																																													
DY 901	1000015331																																													
<p>Inspection elbow single ④⑤</p>  <table border="1" data-bbox="159 1187 303 1232"> <thead> <tr> <th></th> <th>A</th> <th>B</th> </tr> </thead> <tbody> <tr> <td>DY 877</td> <td>130</td> <td>120</td> </tr> </tbody> </table>		A	B	DY 877	130	120	<table border="1"> <thead> <tr> <th>Ø 80 mm</th> <th>Ref.</th> </tr> </thead> <tbody> <tr> <td>DY 877</td> <td>100008301</td> </tr> </tbody> </table>	Ø 80 mm	Ref.	DY 877	100008301	<p>Centering star for flex pipe ③⑨</p> 	<table border="1"> <thead> <tr> <th>Ø 80 mm</th> <th>Ref.</th> </tr> </thead> <tbody> <tr> <td>DY 618 (2 pieces)</td> <td>84887618</td> </tr> </tbody> </table>	Ø 80 mm	Ref.	DY 618 (2 pieces)	84887618																													
	A	B																																												
DY 877	130	120																																												
Ø 80 mm	Ref.																																													
DY 877	100008301																																													
Ø 80 mm	Ref.																																													
DY 618 (2 pieces)	84887618																																													
<p>Centering star ②</p>  <table border="1" data-bbox="159 1344 255 1388"> <thead> <tr> <th></th> <th>B</th> </tr> </thead> <tbody> <tr> <td>DY 151</td> <td>80</td> </tr> </tbody> </table>		B	DY 151	80	<table border="1"> <thead> <tr> <th>Ø 80 mm</th> <th>Ref.</th> </tr> </thead> <tbody> <tr> <td>DY 151 (2 pieces)</td> <td>84887551</td> </tr> </tbody> </table>	Ø 80 mm	Ref.	DY 151 (2 pieces)	84887551	<p>Air/flue gas vent with flashing for flex pipe ①</p> 	<table border="1"> <thead> <tr> <th>Ø 80 mm</th> <th>Ref.</th> </tr> </thead> <tbody> <tr> <td>DY 899</td> <td>100015329</td> </tr> </tbody> </table>	Ø 80 mm	Ref.	DY 899	100015329																															
	B																																													
DY 151	80																																													
Ø 80 mm	Ref.																																													
DY 151 (2 pieces)	84887551																																													
Ø 80 mm	Ref.																																													
DY 899	100015329																																													
<p>Stainless steel protection screen for roof outlet ③④</p> 	<table border="1"> <thead> <tr> <th>Ø 90 mm</th> <th>Ref.</th> </tr> </thead> <tbody> <tr> <td>-</td> <td>300007172</td> </tr> </tbody> </table>	Ø 90 mm	Ref.	-	300007172	<p>Adapters for flex pipe</p> 	<table border="1"> <thead> <tr> <th>Ø 80 mm</th> <th>Ref.</th> </tr> </thead> <tbody> <tr> <td>DY 904</td> <td>100015880</td> </tr> </tbody> </table>	Ø 80 mm	Ref.	DY 904	100015880																																			
Ø 90 mm	Ref.																																													
-	300007172																																													
Ø 80 mm	Ref.																																													
DY 904	100015880																																													
<p>Air/flue gas vent with flashing for rigid pipe ①</p> 	<table border="1"> <thead> <tr> <th>Ø 80 mm</th> <th>Ref.</th> </tr> </thead> <tbody> <tr> <td>DY 185</td> <td>84887585</td> </tr> </tbody> </table>	Ø 80 mm	Ref.	DY 185	84887585	<p>Stainless steel protection screen for roof outlet ③④</p> 	<table border="1"> <thead> <tr> <th>Ø 90 mm</th> <th>Ref.</th> </tr> </thead> <tbody> <tr> <td>-</td> <td>300007172</td> </tr> </tbody> </table>	Ø 90 mm	Ref.	-	300007172																																			
Ø 80 mm	Ref.																																													
DY 185	84887585																																													
Ø 90 mm	Ref.																																													
-	300007172																																													
<p>Ventilation screen interior ①⑨</p>  <p>Ventilation screen exterior</p> 	<table border="1"> <thead> <tr> <th>Interior ventilation screen</th> <th>Ref.</th> </tr> </thead> <tbody> <tr> <td>DY 36</td> <td>84887436</td> </tr> </tbody> </table> <table border="1"> <thead> <tr> <th>Exterior ventilation screen</th> <th>Ref.</th> </tr> </thead> <tbody> <tr> <td>DY 35</td> <td>84887435</td> </tr> </tbody> </table>	Interior ventilation screen	Ref.	DY 36	84887436	Exterior ventilation screen	Ref.	DY 35	84887435	<table border="1"> <thead> <tr> <th>Interior ventilation screen</th> <th>Ref.</th> </tr> </thead> <tbody> <tr> <td>DY 36</td> <td>84887436</td> </tr> </tbody> </table> <table border="1"> <thead> <tr> <th>Exterior ventilation screen</th> <th>Ref.</th> </tr> </thead> <tbody> <tr> <td>DY 35</td> <td>84887435</td> </tr> </tbody> </table>	Interior ventilation screen	Ref.	DY 36	84887436	Exterior ventilation screen	Ref.	DY 35	84887435	<table border="1"> <thead> <tr> <th>Interior ventilation screen</th> <th>Ref.</th> </tr> </thead> <tbody> <tr> <td>DY 36</td> <td>84887436</td> </tr> </tbody> </table> <table border="1"> <thead> <tr> <th>Exterior ventilation screen</th> <th>Ref.</th> </tr> </thead> <tbody> <tr> <td>DY 35</td> <td>84887435</td> </tr> </tbody> </table>	Interior ventilation screen	Ref.	DY 36	84887436	Exterior ventilation screen	Ref.	DY 35	84887435																			
Interior ventilation screen	Ref.																																													
DY 36	84887436																																													
Exterior ventilation screen	Ref.																																													
DY 35	84887435																																													
Interior ventilation screen	Ref.																																													
DY 36	84887436																																													
Exterior ventilation screen	Ref.																																													
DY 35	84887435																																													
Interior ventilation screen	Ref.																																													
DY 36	84887436																																													
Exterior ventilation screen	Ref.																																													
DY 35	84887435																																													

1 CONFIGURATION C_{13x} - CONCENTRIC HORIZONTAL FORCED FLUE STAINLESS STEEL (CONNECTION TO AN EXTERNAL WALL OR A ROOF OUTLET)

GTU 124/1204 FF



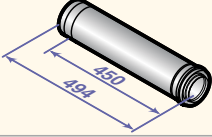
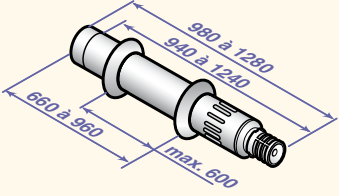
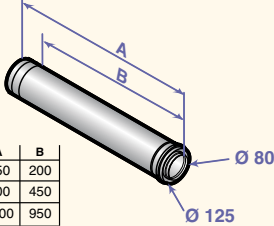
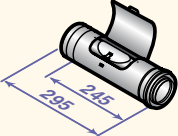
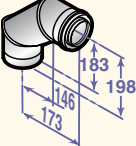
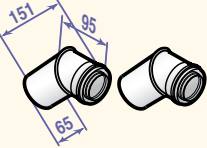
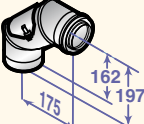
Boiler type	connect. Ø (mm)	Lmax (m)
GTU 124/1204 FF	80/125	6

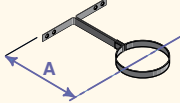
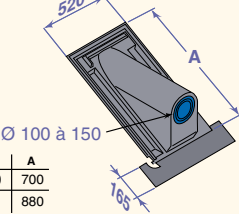
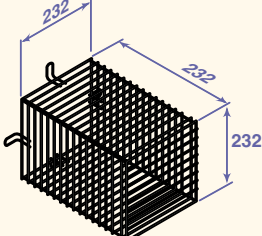
connect. Ø (mm)	Equivalent length (m)
80/125	80/125
87° elbow	1,3
45° elbow	0,8
Straight inspection pipe	0,3
Inspection elbow	1,4

⇒ Stainless steel/Stainless steel flue systems accessories for connection to a horizontal forced flue, delivered with the GTU... FF HOR boiler:

Description	Diagrams with Dimensions/References	Boiler types	GTU 124/1204 FF
		connect. Ø (mm)	80/125
		Package/Ref.	
Horizontal concentric forced flue Ø 80/125 mm		(21) DB 90 81998533	X

⇒ Other Stainless steel/Stainless steel flue systems accessories available:

<p>Silencer cartridge for horizontal forced flue</p> 	<table border="1"> <tr> <td></td> <td>Ref.</td> </tr> <tr> <td>DB 88</td> <td>81998545</td> </tr> </table>		Ref.	DB 88	81998545																				
	Ref.																								
DB 88	81998545																								
<p>Horizontal forced flue concentric long (21)</p> 	<table border="1"> <tr> <td>Ø 80/125 mm</td> <td>Ref.</td> </tr> <tr> <td>DB 87</td> <td>81998544</td> </tr> </table>	Ø 80/125 mm	Ref.	DB 87	81998544																				
Ø 80/125 mm	Ref.																								
DB 87	81998544																								
<p>Concentric extension (11)</p>  <table border="1" data-bbox="161 931 293 1010"> <thead> <tr> <th></th> <th>A</th> <th>B</th> </tr> </thead> <tbody> <tr> <td>DB 94</td> <td>250</td> <td>200</td> </tr> <tr> <td>DB 93</td> <td>500</td> <td>450</td> </tr> <tr> <td>DB 92</td> <td>1000</td> <td>950</td> </tr> </tbody> </table>		A	B	DB 94	250	200	DB 93	500	450	DB 92	1000	950	<table border="1"> <tr> <td>Ø 80/125 mm</td> <td>L (mm)</td> <td>Ref.</td> </tr> <tr> <td>DB 94</td> <td>250</td> <td>81998537</td> </tr> <tr> <td>DB 93</td> <td>500</td> <td>81998536</td> </tr> <tr> <td>DB 92</td> <td>1000</td> <td>81998535</td> </tr> </table>	Ø 80/125 mm	L (mm)	Ref.	DB 94	250	81998537	DB 93	500	81998536	DB 92	1000	81998535
	A	B																							
DB 94	250	200																							
DB 93	500	450																							
DB 92	1000	950																							
Ø 80/125 mm	L (mm)	Ref.																							
DB 94	250	81998537																							
DB 93	500	81998536																							
DB 92	1000	81998535																							
<p>Concentric inspection pipe (7)</p> 	<table border="1"> <tr> <td>Ø 80/125 mm</td> <td>Ref.</td> </tr> <tr> <td>DB 85</td> <td>81998548</td> </tr> </table>	Ø 80/125 mm	Ref.	DB 85	81998548																				
Ø 80/125 mm	Ref.																								
DB 85	81998548																								
<p>Concentric elbow at 87° (12)</p>  <p>at 45°</p> 	<table border="1"> <tr> <td>Ø 80/125 mm</td> <td>Angle</td> <td>Ref.</td> </tr> <tr> <td>DB 96</td> <td>87°</td> <td>81998539</td> </tr> <tr> <td>DB 97</td> <td>45° (2-pieces)</td> <td>81998540</td> </tr> </table>	Ø 80/125 mm	Angle	Ref.	DB 96	87°	81998539	DB 97	45° (2-pieces)	81998540															
Ø 80/125 mm	Angle	Ref.																							
DB 96	87°	81998539																							
DB 97	45° (2-pieces)	81998540																							
<p>Inspection elbow concentric (23)</p> 	<table border="1"> <tr> <td>Ø 80/125 mm</td> <td>Ref.</td> </tr> <tr> <td>DB 86</td> <td>81998549</td> </tr> </table>	Ø 80/125 mm	Ref.	DB 86	81998549																				
Ø 80/125 mm	Ref.																								
DB 86	81998549																								

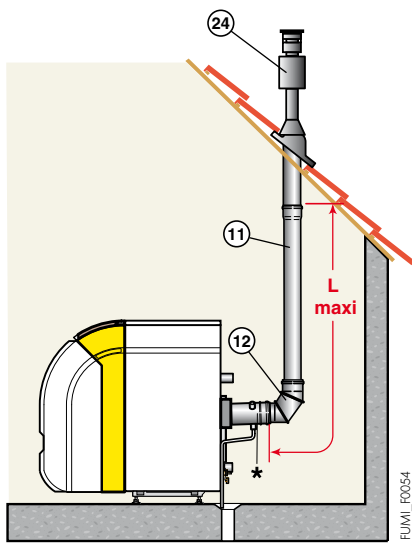
<p>Fastening collar (29)</p>  <table border="1" data-bbox="837 405 943 461"> <tr> <td></td> <td>A</td> </tr> <tr> <td>CX 118</td> <td>125</td> </tr> <tr> <td>CX 79</td> <td>232</td> </tr> </table>		A	CX 118	125	CX 79	232	<table border="1"> <tr> <td>Ø 125 mm</td> <td>Ref.</td> </tr> <tr> <td>CX 79 (long lug)</td> <td>84837779</td> </tr> <tr> <td>CX 118 (short lug)</td> <td>84837718</td> </tr> </table>	Ø 125 mm	Ref.	CX 79 (long lug)	84837779	CX 118 (short lug)	84837718		
	A														
CX 118	125														
CX 79	232														
Ø 125 mm	Ref.														
CX 79 (long lug)	84837779														
CX 118 (short lug)	84837718														
<p>Roof outlet (only for mechanical tiles) (22)</p>  <table border="1" data-bbox="837 730 943 786"> <tr> <td></td> <td>A</td> </tr> <tr> <td>CX 49</td> <td>700</td> </tr> <tr> <td>DY 11</td> <td>880</td> </tr> </table>		A	CX 49	700	DY 11	880	<table border="1"> <tr> <td>Roof with slope of 30 to 45°</td> <td>Ref.</td> </tr> <tr> <td>DY 11</td> <td>84887411</td> </tr> <tr> <td>Roof with slope of 40 to 55°</td> <td>Ref.</td> </tr> <tr> <td>CX 49</td> <td>84837729</td> </tr> </table>	Roof with slope of 30 to 45°	Ref.	DY 11	84887411	Roof with slope of 40 to 55°	Ref.	CX 49	84837729
	A														
CX 49	700														
DY 11	880														
Roof with slope of 30 to 45°	Ref.														
DY 11	84887411														
Roof with slope of 40 to 55°	Ref.														
CX 49	84837729														
<p>Stainless steel protection basket (25)</p> 	<table border="1"> <tr> <td>Ø 80/125 mm</td> <td>Ref.</td> </tr> <tr> <td>DB 99</td> <td>81998542</td> </tr> </table>	Ø 80/125 mm	Ref.	DB 99	81998542										
Ø 80/125 mm	Ref.														
DB 99	81998542														

FUMI_F0053

2 CONFIGURATION C_{33x} - CONCENTRIC VERTICAL FORCED FLUE STAINLESS STEEL (CONNECTION TO SLOPING ROOF OR FLAT ROOF)

GTU 124/1204 FF

Boiler type	connect. Ø (mm)	L _{max} (m)
GTU 124/1204 FF	80/125	6

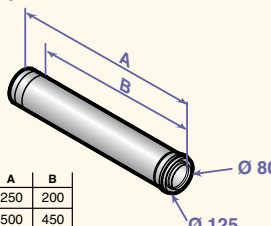
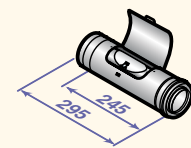
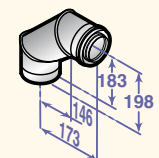
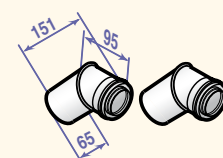
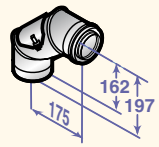


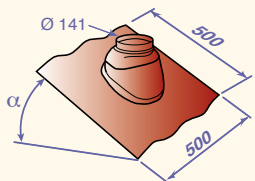
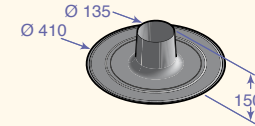
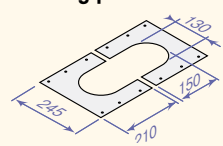
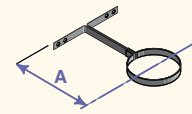
connect. Ø (mm)	Equivalent length (m)
80/125	80/125
87° elbow	1,3
45° elbow	0,8
Straight inspection pipe	0,3
Inspection elbow	1,4

⇒ Stainless steel/Stainless steel flue systems accessories for connection to a vertical forced flue, delivered with the GTU... FF VER boiler:

Description	Diagrams with Dimensions/References	Boiler types	GTU 124/1204 FF
		connect. Ø (mm)	80/125
		Package/Ref.	
Vertical forced flue Ø 80/125 mm (red or black)		DB 91 81998534 (black) or DB 89 81998543 (red)	X
Concentric elbow at 87°		DB 96 81998539	X

⇒ Other Stainless steel/Stainless steel flue systems accessories available:

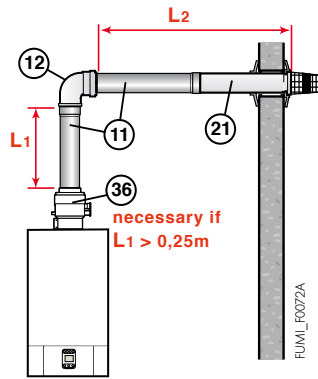
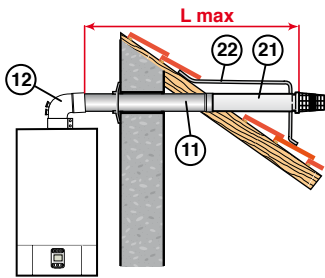
Concentric extension  <table border="1" data-bbox="159 481 295 571"> <thead> <tr> <th></th> <th>A</th> <th>B</th> </tr> </thead> <tbody> <tr> <td>DB 94</td> <td>250</td> <td>200</td> </tr> <tr> <td>DB 93</td> <td>500</td> <td>450</td> </tr> <tr> <td>DB 92</td> <td>1000</td> <td>950</td> </tr> </tbody> </table>		A	B	DB 94	250	200	DB 93	500	450	DB 92	1000	950	11	Ø 80/125 mm L (mm) DB 94 250 DB 93 500 DB 92 1000	Ref. 81998537 81998536 81998535
		A	B												
DB 94	250	200													
DB 93	500	450													
DB 92	1000	950													
Concentric inspection pipe 	7	Ø 80/125 mm DB 85	Ref. 81998548												
Concentric elbow at 87°  at 45° 	12	Ø 80/125 mm Angle DB 96 87° DB 97 45° (2-pieces)	Ref. 81998539 81998540												
	Inspection elbow concentric 	23	Ø 80/125 mm DB 86	Ref. 81998549											

Flue tile 	28	Ø 80/125 mm Slope/Col. CX 121 5 to 25° black CX 120 5 to 25° red CX 52 25 to 45° black CX 83 25 to 45° red CX 63 35 to 55° black CX 84 35 to 55° red	Ref. 84837121 84837120 84837732 84837783 84837734 84837784						
	Water tightness bed plate for flat roof 	27	Ø 80/125 mm CX 51	Ref. 84837731					
Internal finishing plate 	26	Ø 80/125 mm CX 72	Ref. 84837741						
Fastening collar  <table border="1" data-bbox="829 1019 949 1097"> <thead> <tr> <th></th> <th>A</th> </tr> </thead> <tbody> <tr> <td>CX 118</td> <td>125</td> </tr> <tr> <td>CX 79</td> <td>232</td> </tr> </tbody> </table>		A	CX 118	125	CX 79	232	29	Ø 125 mm CX 118 (short lug) CX 79 (long lug)	Ref. 84837718 84837779
	A								
CX 118	125								
CX 79	232								

FUWJ_F0055

1 CONFIGURATION C_{12x} - CONNECTION TO A HORIZONTAL FORCED FLUE ALU (CONNECTION TO AN EXTERNAL WALL OR A ROOF OUTLET)

MS... FF



$L \text{ max} = (L1+L2) \text{ max}$

Boiler type	connect. Ø (mm)	Lmax (m)	
		60/100	80/125
MS... FF		4	10

connect. Ø (mm)	Equivalent length (m)	
	60/100	80/125
87° elbow	1,1	1
45° elbow	0,8	0,8
Condensates recuperator	1,4	0,2

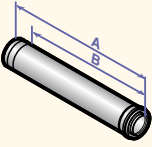
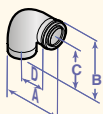
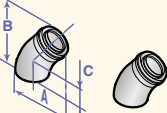
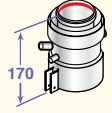
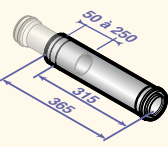
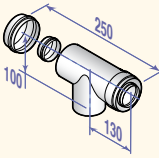
⇒ Alu/Alu flue systems accessories needed at the very least for connection to a horizontal forced flue:

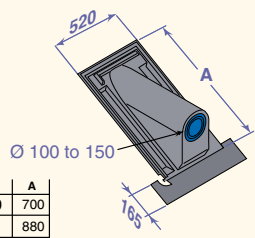
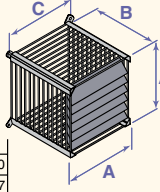
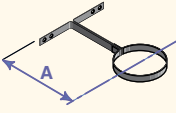
Description	Diagrams with Dimensions/References	Boiler types	MS... FF	
			connect. Ø (mm)	
			Package/Ref.	60/100
Horizontal forced flue Ø 60/100 mm, Lg 800 mm	(21)	DY 908 100016485	X (1) (2)	
Horizontal forced flue Ø 80/125 mm, Lg 730 mm	(21)	CX 119 84837119		X
Adapter condensates recuperator Ø 60/100 to 80/125 mm	(36)	DY 909 100016486		X
87° elbow Ø 80/125 mm	(12)	CX 76 84837743		X

(1) DY 908 delivered as standard with ZENA MS... FF/VH boilers

(2) A condensates recuperator (package DY 910 - Ref. 100016487) is necessary by Ø 60/100 mm connection, if L₁ ≥ 0,25 m

⇒ Other Alu/Alu flue systems accessories available:

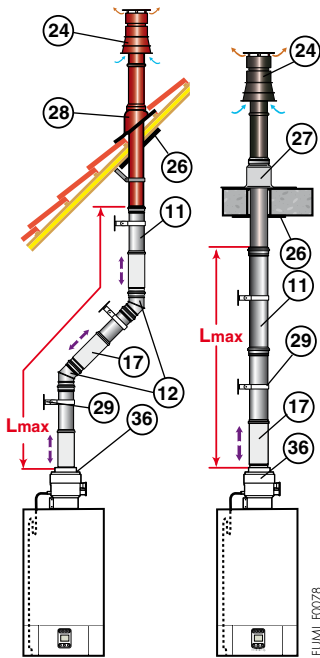
Concentric extension  <table border="1" data-bbox="159 515 399 616"> <thead> <tr> <th></th> <th>A</th> <th>B</th> </tr> </thead> <tbody> <tr> <td>DY 746, CX 64</td> <td>250</td> <td>200</td> </tr> <tr> <td>DY 652, CX 65</td> <td>500</td> <td>450</td> </tr> <tr> <td>DY 653, CX 66</td> <td>1000</td> <td>950</td> </tr> <tr> <td>DY 654, CX 93</td> <td>1950</td> <td>1900</td> </tr> </tbody> </table>		A	B	DY 746, CX 64	250	200	DY 652, CX 65	500	450	DY 653, CX 66	1000	950	DY 654, CX 93	1950	1900	11 <table border="1" data-bbox="518 257 790 403"> <thead> <tr> <th>Ø 60/100 mm</th> <th>Lg (mm)</th> <th>Ref.</th> </tr> </thead> <tbody> <tr> <td>DY 746</td> <td>250</td> <td>84887746</td> </tr> <tr> <td>DY 652</td> <td>500</td> <td>84887652</td> </tr> <tr> <td>DY 653</td> <td>1000</td> <td>84887653</td> </tr> <tr> <td>DY 654</td> <td>1950</td> <td>84887654</td> </tr> </tbody> </table> <table border="1" data-bbox="518 414 790 560"> <thead> <tr> <th>Ø 80/125 mm</th> <th>Lg (mm)</th> <th>Ref.</th> </tr> </thead> <tbody> <tr> <td>CX 64</td> <td>250</td> <td>84837735</td> </tr> <tr> <td>CX 65</td> <td>500</td> <td>84837736</td> </tr> <tr> <td>CX 66</td> <td>1000</td> <td>84837737</td> </tr> <tr> <td>CX 93</td> <td>1950</td> <td>84837793</td> </tr> </tbody> </table>	Ø 60/100 mm	Lg (mm)	Ref.	DY 746	250	84887746	DY 652	500	84887652	DY 653	1000	84887653	DY 654	1950	84887654	Ø 80/125 mm	Lg (mm)	Ref.	CX 64	250	84837735	CX 65	500	84837736	CX 66	1000	84837737	CX 93	1950	84837793
		A	B																																											
DY 746, CX 64	250	200																																												
DY 652, CX 65	500	450																																												
DY 653, CX 66	1000	950																																												
DY 654, CX 93	1950	1900																																												
Ø 60/100 mm	Lg (mm)	Ref.																																												
DY 746	250	84887746																																												
DY 652	500	84887652																																												
DY 653	1000	84887653																																												
DY 654	1950	84887654																																												
Ø 80/125 mm	Lg (mm)	Ref.																																												
CX 64	250	84837735																																												
CX 65	500	84837736																																												
CX 66	1000	84837737																																												
CX 93	1950	84837793																																												
Concentric elbow at 87°  <table border="1" data-bbox="159 806 383 862"> <thead> <tr> <th></th> <th>A</th> <th>B</th> <th>C</th> <th>D</th> </tr> </thead> <tbody> <tr> <td>DY 655</td> <td>170</td> <td>184</td> <td>110</td> <td>70</td> </tr> <tr> <td>CX 76</td> <td>194</td> <td>190</td> <td>120</td> <td>80</td> </tr> </tbody> </table> at 45°  <table border="1" data-bbox="159 996 335 1052"> <thead> <tr> <th></th> <th>A</th> <th>B</th> <th>C</th> </tr> </thead> <tbody> <tr> <td>DY 656</td> <td>136</td> <td>174</td> <td>70</td> </tr> <tr> <td>CX 68</td> <td>156</td> <td>184</td> <td>90</td> </tr> </tbody> </table>		A	B	C	D	DY 655	170	184	110	70	CX 76	194	190	120	80		A	B	C	DY 656	136	174	70	CX 68	156	184	90	12 <table border="1" data-bbox="518 638 790 728"> <thead> <tr> <th>Ø 60/100 mm</th> <th>Angle</th> <th>Ref.</th> </tr> </thead> <tbody> <tr> <td>DY 655</td> <td>87°</td> <td>84887655</td> </tr> <tr> <td>DY 656</td> <td>45° (2 pcs)</td> <td>84887656</td> </tr> </tbody> </table> <table border="1" data-bbox="518 750 790 840"> <thead> <tr> <th>Ø 80/125 mm</th> <th>Angle</th> <th>Ref.</th> </tr> </thead> <tbody> <tr> <td>CX 76</td> <td>87°</td> <td>84837743</td> </tr> <tr> <td>CX 68</td> <td>45° (2 pcs)</td> <td>84837739</td> </tr> </tbody> </table>	Ø 60/100 mm	Angle	Ref.	DY 655	87°	84887655	DY 656	45° (2 pcs)	84887656	Ø 80/125 mm	Angle	Ref.	CX 76	87°	84837743	CX 68	45° (2 pcs)	84837739
	A	B	C	D																																										
DY 655	170	184	110	70																																										
CX 76	194	190	120	80																																										
	A	B	C																																											
DY 656	136	174	70																																											
CX 68	156	184	90																																											
Ø 60/100 mm	Angle	Ref.																																												
DY 655	87°	84887655																																												
DY 656	45° (2 pcs)	84887656																																												
Ø 80/125 mm	Angle	Ref.																																												
CX 76	87°	84837743																																												
CX 68	45° (2 pcs)	84837739																																												
Condensates recuperator concentric Ø 60/100 mm 	36 <table border="1" data-bbox="518 1075 790 1142"> <thead> <tr> <th>Ø 60/100 mm</th> <th>Ref.</th> </tr> </thead> <tbody> <tr> <td>DY 910</td> <td>100016486</td> </tr> </tbody> </table>	Ø 60/100 mm	Ref.	DY 910	100016486																																									
Ø 60/100 mm	Ref.																																													
DY 910	100016486																																													
Compensation sleeve concentric 	17 <table border="1" data-bbox="518 1299 790 1366"> <thead> <tr> <th>Ø 60/100 mm</th> <th>Ref.</th> </tr> </thead> <tbody> <tr> <td>DY 659</td> <td>84887659</td> </tr> </tbody> </table> <table border="1" data-bbox="518 1377 790 1444"> <thead> <tr> <th>Ø 80/125 mm</th> <th>Ref.</th> </tr> </thead> <tbody> <tr> <td>CX 67</td> <td>84837738</td> </tr> </tbody> </table>	Ø 60/100 mm	Ref.	DY 659	84887659	Ø 80/125 mm	Ref.	CX 67	84837738																																					
Ø 60/100 mm	Ref.																																													
DY 659	84887659																																													
Ø 80/125 mm	Ref.																																													
CX 67	84837738																																													
Inspection T concentric 	8 <table border="1" data-bbox="518 1523 790 1590"> <thead> <tr> <th>Ø 60/100 mm</th> <th>Ref.</th> </tr> </thead> <tbody> <tr> <td>DY 660</td> <td>84887660</td> </tr> </tbody> </table>	Ø 60/100 mm	Ref.	DY 660	84887660																																									
Ø 60/100 mm	Ref.																																													
DY 660	84887660																																													

Roof outlet (for mechanical tiles only)  <table border="1" data-bbox="837 504 933 560"> <thead> <tr> <th></th> <th>A</th> </tr> </thead> <tbody> <tr> <td>CX 49</td> <td>700</td> </tr> <tr> <td>DY 11</td> <td>880</td> </tr> </tbody> </table>		A	CX 49	700	DY 11	880	22 <table border="1" data-bbox="1204 257 1476 324"> <thead> <tr> <th>Roof with slope of 30 to 45°</th> <th>Ref.</th> </tr> </thead> <tbody> <tr> <td>DY 11</td> <td>84887411</td> </tr> </tbody> </table> <table border="1" data-bbox="1204 403 1476 470"> <thead> <tr> <th>Roof with slope of 40 to 55°</th> <th>Ref.</th> </tr> </thead> <tbody> <tr> <td>CX 49</td> <td>84837729</td> </tr> </tbody> </table>	Roof with slope of 30 to 45°	Ref.	DY 11	84887411	Roof with slope of 40 to 55°	Ref.	CX 49	84837729						
	A																				
CX 49	700																				
DY 11	880																				
Roof with slope of 30 to 45°	Ref.																				
DY 11	84887411																				
Roof with slope of 40 to 55°	Ref.																				
CX 49	84837729																				
Stainless steel protection basket  <table border="1" data-bbox="837 750 1021 817"> <thead> <tr> <th></th> <th>A</th> <th>B</th> <th>C</th> </tr> </thead> <tbody> <tr> <td>DY 166</td> <td>154</td> <td>228</td> <td>170</td> </tr> <tr> <td>DY 865</td> <td>229</td> <td>260</td> <td>237</td> </tr> </tbody> </table>		A	B	C	DY 166	154	228	170	DY 865	229	260	237	25 <table border="1" data-bbox="1204 582 1476 649"> <thead> <tr> <th>for Ø 60/100 mm</th> <th>Ref.</th> </tr> </thead> <tbody> <tr> <td>DY 166</td> <td>84887566</td> </tr> </tbody> </table> <table border="1" data-bbox="1204 672 1476 739"> <thead> <tr> <th>for Ø 80/125 mm</th> <th>Ref.</th> </tr> </thead> <tbody> <tr> <td>DY 865</td> <td>100005002</td> </tr> </tbody> </table>	for Ø 60/100 mm	Ref.	DY 166	84887566	for Ø 80/125 mm	Ref.	DY 865	100005002
	A	B	C																		
DY 166	154	228	170																		
DY 865	229	260	237																		
for Ø 60/100 mm	Ref.																				
DY 166	84887566																				
for Ø 80/125 mm	Ref.																				
DY 865	100005002																				
Fastening collar  <table border="1" data-bbox="837 907 949 974"> <thead> <tr> <th></th> <th>A</th> </tr> </thead> <tbody> <tr> <td>CX 118</td> <td>125</td> </tr> <tr> <td>CX 79</td> <td>232</td> </tr> </tbody> </table>		A	CX 118	125	CX 79	232	29 <table border="1" data-bbox="1204 828 1476 918"> <thead> <tr> <th>Ø 125 mm</th> <th>Ref.</th> </tr> </thead> <tbody> <tr> <td>CX 118 (short lug)</td> <td>84837718</td> </tr> <tr> <td>CX 79 (long lug)</td> <td>84837779</td> </tr> </tbody> </table>	Ø 125 mm	Ref.	CX 118 (short lug)	84837718	CX 79 (long lug)	84837779								
	A																				
CX 118	125																				
CX 79	232																				
Ø 125 mm	Ref.																				
CX 118 (short lug)	84837718																				
CX 79 (long lug)	84837779																				

FUWJ_F00778

2 CONFIGURATION C_{32x} - CONNECTION TO A VERTICAL FORCED FLUE ALU (CONNECTION TO SLOPING ROOF OR FLAT ROOF)

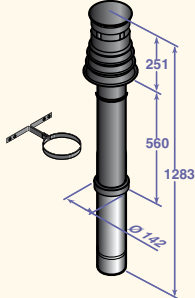
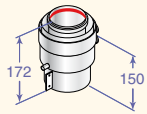
MS... FF



Boiler type	connect. Ø (mm)	Lmax (m)
MS ... FF	80/125	9

connect Ø (mm)	Equivalent length (m)
80/125	80/125
87° elbow	1
45° elbow	0,8
Condensates recuperator	0,2

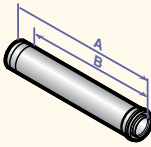
⇒ Alu/Alu flue systems accessories needed at the very least for connection to a vertical forced flue:

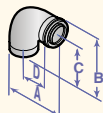
Description	Diagrams with Dimensions/References	Boiler types	connect. Ø (mm)	Package/Ref.
		MS... FF	80/125	
Vertical forced flue Ø 80/125 mm (black or red)	 (24)	DY 735 84887735 (black) or DY 736 84887736 (red)	X (1)	
Adapter-condensates recuperator Ø 60/100 to 80/125 mm	 (36)	DY 909 100016486	X (1)	

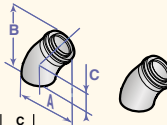
(1) Accessories delivered as standard with ZENA MS... FF VV boilers

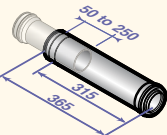
FUMI_F0078

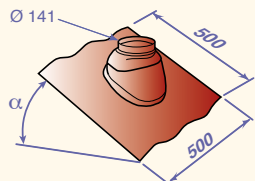
⇒ Other Alu/Alu concentric flue systems accessories available:

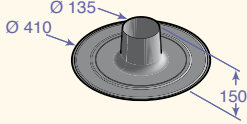
Concentric extension			11	Ø 80/125 mm	L (mm)	Ref.
						
CX 64	250	200				84837735
CX 65	500	450				84837736
CX 66	1000	950				84837737
CX 93	1950	1900				84837793

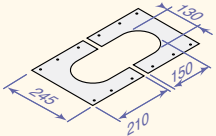
Concentric elbow at 87°			12	Ø 80/125 mm	Angle	Ref.
						
CX 76	194	190	120	80	87°	84837743
					45° (2-pieces)	84837739

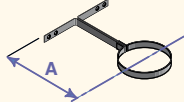
at 45°						
						
CX 68	156	184	90			

Compensation sleeve concentric			17	Ø 80/125 mm	Ref.	
						
				CX 67		84837738

Flue tile			28	Ø 80/125 mm	Slope/Col.	Ref.
						
					5 to 25° black	84837121
					5 to 25° red	84837120
					25 to 45° black	84837732
					25 to 45° red	84837783
					35 to 55° black	84837734
					35 to 55° red	84837784

Water tightness bed plate for flat roof			27	for Ø 80/125 mm	Ref.	
						
				CX 51		84837731

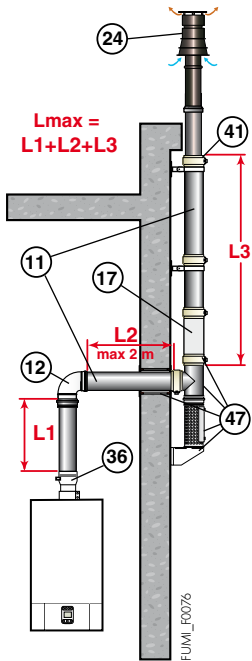
Internal finishing plate			26	for Ø 80/125 mm	Ref.	
						
				CX 72		84837741

Fastening collar			29	Ø 125 mm	Ref.	
						
				CX 118 (short lug)		84837718
				CX 79 (long lug)		84837779

	A	
CX 118	125	
CX 79	232	

2 CONFIGURATION C_{32x} - CONNECTION TO A VERTICAL FORCED FLUE ALU (FOR MOUNTING OUTSIDE)

MS... FF



Boiler type	connect. Ø (mm)	Lmax (m)
MS ... FF	80/125	7

connect Ø (mm)	Equivalent length (m)
80/125	80/125
87° elbow	1
45° elbow	0,8
Condensates recuperator	0,2

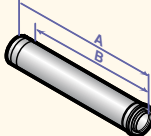
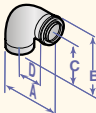
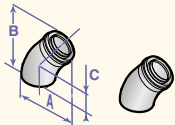
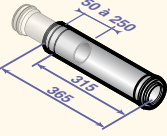

⇒ Alu/Alu flue systems accessories needed at the very least for connection to a vertical forced flue mounted outside:

Description	Diagrams with Dimensions/References	Boiler types	MS... FF
		connect. Ø (mm)	80/125
Package/Ref.			
Outside mounting kit Ø 80/125 mm	DY 60 (47)	DY 60 84887460	X
Vertical forced flue Ø 80/125 mm (black or red)	DY 735/736 (24)	DY 735 84887735 (black) or DY 736 84887736 (red)	X (I)
Adapter-condensates recuperator Ø 60/100 to 80/125 mm	(36)	DY 909 100016486	X (I)
87° elbow Ø 80/125 mm	(12)	CX 76 84837743	X

(I) Accessories delivered as standard with ZENA MS... FF VV boilers

FUMI_F0076

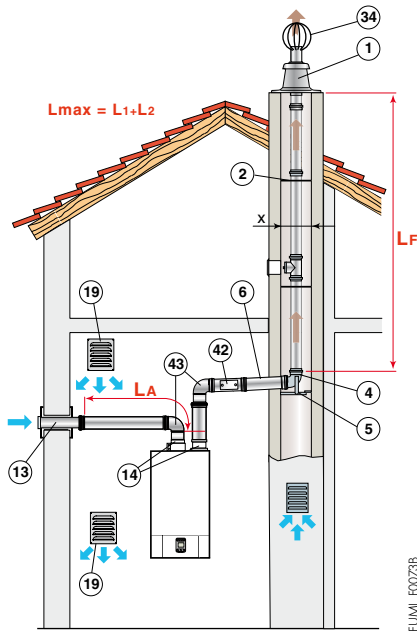
⇒ Other Alu/Alu concentric flue systems accessories available:

<p>Concentric extension</p>  <p>⑪</p> <table border="1" data-bbox="159 369 295 459"> <thead> <tr> <th></th> <th>A</th> <th>B</th> </tr> </thead> <tbody> <tr> <td>CX 64</td> <td>250</td> <td>200</td> </tr> <tr> <td>CX 65</td> <td>500</td> <td>450</td> </tr> <tr> <td>CX 66</td> <td>1000</td> <td>950</td> </tr> <tr> <td>CX 93</td> <td>1950</td> <td>1900</td> </tr> </tbody> </table>		A	B	CX 64	250	200	CX 65	500	450	CX 66	1000	950	CX 93	1950	1900	<table border="1"> <thead> <tr> <th>Ø 80/125 mm</th> <th>L (mm)</th> <th>Ref.</th> </tr> </thead> <tbody> <tr> <td>CX 64</td> <td>250</td> <td>84837735</td> </tr> <tr> <td>CX 65</td> <td>500</td> <td>84837736</td> </tr> <tr> <td>CX 66</td> <td>1000</td> <td>84837737</td> </tr> <tr> <td>CX 93</td> <td>1950</td> <td>84837793</td> </tr> </tbody> </table>	Ø 80/125 mm	L (mm)	Ref.	CX 64	250	84837735	CX 65	500	84837736	CX 66	1000	84837737	CX 93	1950	84837793
	A	B																													
CX 64	250	200																													
CX 65	500	450																													
CX 66	1000	950																													
CX 93	1950	1900																													
Ø 80/125 mm	L (mm)	Ref.																													
CX 64	250	84837735																													
CX 65	500	84837736																													
CX 66	1000	84837737																													
CX 93	1950	84837793																													
<p>Concentric elbow at 87°</p>  <p>⑫</p> <table border="1" data-bbox="159 571 359 604"> <thead> <tr> <th></th> <th>A</th> <th>B</th> <th>C</th> <th>D</th> </tr> </thead> <tbody> <tr> <td>CX 76</td> <td>194</td> <td>190</td> <td>120</td> <td>80</td> </tr> </tbody> </table> <p>at 45°</p>  <table border="1" data-bbox="159 772 327 817"> <thead> <tr> <th></th> <th>A</th> <th>B</th> <th>C</th> </tr> </thead> <tbody> <tr> <td>CX 68</td> <td>156</td> <td>184</td> <td>90</td> </tr> </tbody> </table>		A	B	C	D	CX 76	194	190	120	80		A	B	C	CX 68	156	184	90	<table border="1"> <thead> <tr> <th>Ø 80/125 mm</th> <th>Angle</th> <th>Ref.</th> </tr> </thead> <tbody> <tr> <td>CX 76</td> <td>87°</td> <td>84837743</td> </tr> <tr> <td>CX 68</td> <td>45° (2-pieces)</td> <td>84837739</td> </tr> </tbody> </table>	Ø 80/125 mm	Angle	Ref.	CX 76	87°	84837743	CX 68	45° (2-pieces)	84837739			
	A	B	C	D																											
CX 76	194	190	120	80																											
	A	B	C																												
CX 68	156	184	90																												
Ø 80/125 mm	Angle	Ref.																													
CX 76	87°	84837743																													
CX 68	45° (2-pieces)	84837739																													
<p>Compensation sleeve concentric</p>  <p>⑬</p>	<table border="1"> <thead> <tr> <th>Ø 80/125 mm</th> <th>Ref.</th> </tr> </thead> <tbody> <tr> <td>CX 67</td> <td>84837738</td> </tr> </tbody> </table>	Ø 80/125 mm	Ref.	CX 67	84837738																										
Ø 80/125 mm	Ref.																														
CX 67	84837738																														
<p>Water tightness clamp for outside mounting</p>  <p>⑭</p>	<table border="1"> <thead> <tr> <th>Ø 125 mm</th> <th>Ref.</th> </tr> </thead> <tbody> <tr> <td>DY 51</td> <td>84887451</td> </tr> </tbody> </table>	Ø 125 mm	Ref.	DY 51	84887451																										
Ø 125 mm	Ref.																														
DY 51	84887451																														

FUMI_F0061

5 CONFIGURATION C₅₂ - SEPARATE AIR AND FLUE GAS PIPES IN ALU (COMBUSTIVE AIR TAKEN FROM OUTSIDE)

MS... FF



FUMI_F0073B

connect. Ø (mm)	Equivalent length (m)
	80
87° elbow	1,2
45° elbow	0,9
Straight inspection pipe	0,5
Inspection T	2,8

Boiler type	with adapter bi-flow Ø (mm)	Lmax (m) 60/100 to 2 x 80
MS ... FF		30
	x mini ▣ (mm)	140
	Ø (mm)	160

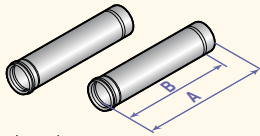
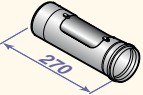
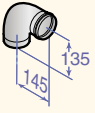
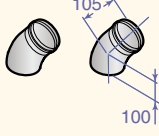
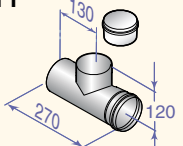
⚠ Configuration only allowed in boiler room

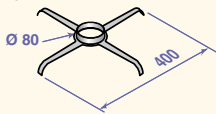

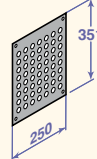
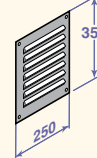
⇒ Alu flue systems accessories needed at the very least for connection using air/flue gas conduits (bi-flow):

Description	Diagrams with Dimensions/References	Boiler types	MS... FF
		Bi-flow adapter Ø (mm)	2 x 80
		Package/Ref.	
Bi-flow adapter	(14)	HX 30 100016413	X
Outside air inlet Ø 80 mm	(13)	DY 38 84887438	X
Chimney connection kit Ø 80 mm	(13)	DY 711 84887711	X

FUMI_F0073B

⇒ Other Alu flue systems accessories available:

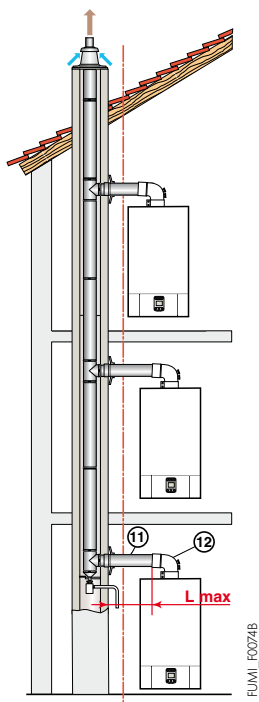
Single extension ⑥  <table border="1" style="margin-top: 10px;"> <thead> <tr> <th></th> <th>A</th> <th>B</th> </tr> </thead> <tbody> <tr> <td>DY 604</td> <td>250</td> <td>200</td> </tr> <tr> <td>DY 605</td> <td>500</td> <td>450</td> </tr> <tr> <td>DY 606</td> <td>1000</td> <td>950</td> </tr> <tr> <td>DY 607</td> <td>1950</td> <td>1900</td> </tr> </tbody> </table>		A	B	DY 604	250	200	DY 605	500	450	DY 606	1000	950	DY 607	1950	1900	<table border="1"> <thead> <tr> <th>Ø 80 mm</th> <th>L (mm)</th> <th>Ref.</th> </tr> </thead> <tbody> <tr> <td>DY 604</td> <td>250 (2 pieces)</td> <td>84887603</td> </tr> <tr> <td>DY 605</td> <td>500 (2 pieces)</td> <td>84887605</td> </tr> <tr> <td>DY 606</td> <td>1000 (2 pieces)</td> <td>84887606</td> </tr> <tr> <td>DY 607</td> <td>1950 (2 pieces)</td> <td>84887607</td> </tr> </tbody> </table>	Ø 80 mm	L (mm)	Ref.	DY 604	250 (2 pieces)	84887603	DY 605	500 (2 pieces)	84887605	DY 606	1000 (2 pieces)	84887606	DY 607	1950 (2 pieces)	84887607
		A	B																												
	DY 604	250	200																												
	DY 605	500	450																												
	DY 606	1000	950																												
DY 607	1950	1900																													
Ø 80 mm	L (mm)	Ref.																													
DY 604	250 (2 pieces)	84887603																													
DY 605	500 (2 pieces)	84887605																													
DY 606	1000 (2 pieces)	84887606																													
DY 607	1950 (2 pieces)	84887607																													
Inspection pipe single ④2 	<table border="1"> <thead> <tr> <th>Ø 80 mm</th> <th>Ref.</th> </tr> </thead> <tbody> <tr> <td>DY 600</td> <td>84887600</td> </tr> </tbody> </table>	Ø 80 mm	Ref.	DY 600	84887600																										
Ø 80 mm	Ref.																														
DY 600	84887600																														
Single elbow at 87° ④3  Single elbow at 45° 	<table border="1"> <thead> <tr> <th>Ø 80 mm</th> <th>Angle</th> <th>Ref.</th> </tr> </thead> <tbody> <tr> <td>DY 608</td> <td>87°</td> <td>84887608</td> </tr> <tr> <td>DY 609</td> <td>45° (2-pieces)</td> <td>84887609</td> </tr> </tbody> </table>	Ø 80 mm	Angle	Ref.	DY 608	87°	84887608	DY 609	45° (2-pieces)	84887609																					
Ø 80 mm	Angle	Ref.																													
DY 608	87°	84887608																													
DY 609	45° (2-pieces)	84887609																													
Inspection T single ④4 	<table border="1"> <thead> <tr> <th>Ø 80 mm</th> <th>Ref.</th> </tr> </thead> <tbody> <tr> <td>DY 738</td> <td>84887738</td> </tr> </tbody> </table>	Ø 80 mm	Ref.	DY 738	84887738																										
Ø 80 mm	Ref.																														
DY 738	84887738																														

Centering star ② 	<table border="1"> <thead> <tr> <th>Ø 80 mm</th> <th>Ref.</th> </tr> </thead> <tbody> <tr> <td>DY 151 (2 pieces)</td> <td>84887563</td> </tr> </tbody> </table>	Ø 80 mm	Ref.	DY 151 (2 pieces)	84887563
Ø 80 mm	Ref.				
DY 151 (2 pieces)	84887563				
Stainless steel protection screen for roof outlet ③4 	<table border="1"> <thead> <tr> <th>Ø 90 mm</th> <th>Ref.</th> </tr> </thead> <tbody> <tr> <td>-</td> <td>300007172</td> </tr> </tbody> </table>	Ø 90 mm	Ref.	-	300007172
Ø 90 mm	Ref.				
-	300007172				
Ventilation screen interior ①9 	<table border="1"> <thead> <tr> <th>Interior ventilation screen</th> <th>Ref.</th> </tr> </thead> <tbody> <tr> <td>DY 36</td> <td>84887436</td> </tr> </tbody> </table>	Interior ventilation screen	Ref.	DY 36	84887436
Interior ventilation screen	Ref.				
DY 36	84887436				
Ventilation screen exterior 	<table border="1"> <thead> <tr> <th>Exterior ventilation screen</th> <th>Ref.</th> </tr> </thead> <tbody> <tr> <td>DY 35</td> <td>84887435</td> </tr> </tbody> </table>	Exterior ventilation screen	Ref.	DY 35	84887435
Exterior ventilation screen	Ref.				
DY 35	84887435				

FUW1_F0063

12 CONFIGURATION C_{42X} - CONNECTING A FORCED FLUE BOILER

MS... FF



Boiler type	connect. Ø (mm)	Lmax (m)
MS... FF	60/100	4

Note: it is possible to put boilers with differing outputs on the same conduit, consult the conduit manufacturer.

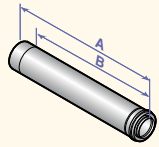
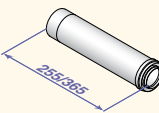
⇒ Alu/Alu flue systems accessories needed at the very least for connection to a collective conduit

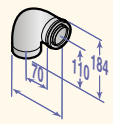
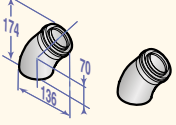
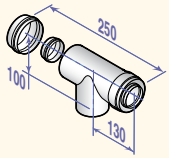
Description	Diagrams with Dimensions/References	Boiler types	MS... FF
		connect. Ø (mm)	60/100
		Package/Ref.	
Boiler connection kit on 3 CE conduit (*)		DY 911 100016488	X

(*) Connection kit suitable for Poujoulat type 3CE conduit

TO A COLLECTIVE CONDUIT 3CE

⇒ Other Alu/Alu concentric flue systems accessories available:

Concentric extension			⑪	∅ 60/100 mm	Lg (mm)	Ref.															
				DY 746	250	84887746															
				DY 652	500	84887652															
				DY 653	1000	84887653															
				DY 654	1950	84887654															
<table border="1"> <thead> <tr> <th></th> <th>A</th> <th>B</th> </tr> </thead> <tbody> <tr> <td>DY 746</td> <td>250</td> <td>200</td> </tr> <tr> <td>DY 652</td> <td>500</td> <td>450</td> </tr> <tr> <td>DY 653</td> <td>1000</td> <td>950</td> </tr> <tr> <td>DY 654</td> <td>1950</td> <td>1900</td> </tr> </tbody> </table>				A	B	DY 746	250	200	DY 652	500	450	DY 653	1000	950	DY 654	1950	1900				
	A	B																			
DY 746	250	200																			
DY 652	500	450																			
DY 653	1000	950																			
DY 654	1950	1900																			
Compensation sleeve concentric			⑰	∅ 60/100 mm		Ref.															
				DY 659		84887659															

Concentric elbow at 87°			⑫	∅ 60/100 mm	Angle	Ref.
				DY 655	87°	84887655
				DY 656	45° (2 pcs)	84887656
at 45°			⑫			
						
Inspection T concentric			⑧	∅ 60/100 mm		Ref.
				DY 660		84887660

FUMI_F0082

LIST AND USE SCENARIOS FOR ALL FLUE SYSTEMS ACCESSORIES AVAILABLE

Package No.	Ref.	Description	Ø (mm)	Material	Where used												
					VIVADENS MCR 24, 24/28 MI, 24/28 BIC	VIVADENS MCR 30/35 MI, 34/39 MI	QUADRODENS DUC 25	ELIDENS DTG 130-45 INNOVENS PRO MCA 45	ELIDENS DTG 130-65, 90, 115, INNOVENS PRO MCA 65, 90, 115	MODULENS G* AGC 10, 15, 25, TWINFO EGC 25, INNOVENS MCA 10, 15, 25, 25/28 MI, 25/28 BIC	MODULENS G* AGC 35, INNOVENS MCA 35	C 230 ECO	C 310 ECO C 610 ECO	GTU C 120/1200, WINGO SFC...	GTU C 120 FF/1200 FF, WINGO SFC... FF	GTU 124 FF/1204 FF	ZENA MS... FF
CX 49	84837729	Roof outlet for a slope of 40° to 55° (for mechanical tiles only)	100 to 150		•	•	•	•	•	•	•				•	•	•
CX 51	84837731	Water tightness bed plate for flat roof	135		•	•	•	•		•	•				•	•	•
CX 52	84837732	Flue tile 25 to 45° black	141		•	•	•	•		•	•				•	•	•
CX 63	84837734	Flue tile 35 to 55° black	141		•	•	•	•		•	•				•	•	•
CX 64	84837735	Concentric extension L 250 mm	80/125	Alu/Alu													•
CX 65	84837736	Concentric extension L 500 mm	80/125	Alu/Alu													•
CX 66	84837737	Concentric extension L 1000 mm	80/125	Alu/Alu													•
CX 67	84837738	Compensation sleeve 50 to 250 mm	80/125	Alu/Alu													•
CX 68	84837739	45° elbow (2 pieces)	80/125	Alu/Alu													•
CX 72	84837741	Internal finishing plate			•	•	•	•		•	•				•	•	•
CX 76	84837743	87° elbow	80/125	Alu/Alu													•
CX 79	84837779	Fastening collar long lug	125		•	•	•	•		•	•				•	•	•
CX 83	84837783	Flue tile 25 to 45° red	141		•	•	•	•		•	•				•	•	•
CX 84	84837784	Flue tile 35 to 55° red	141		•	•	•	•		•	•				•	•	•
CX 93	84837793	Concentric extension L 2000 mm	80/125	Alu/Alu													•
CX 103	84827103	Water tightness bed plate for flat roof							•								
CX 104	84827104	Black flue tile with black ball pivot for a slope of 25 ° to 45 °	172						•								
CX 106	84827106	Black flue tile with red ball pivot for a slope of 25 ° to 45 °	172						•								
CX 111	84827111	Fastening collar	150						•								
CX 115	84827115	Finishing plates (2-pieces)							•								
CX 118	84837118	Fastening collar short lug	125		•	•	•	•		•	•				•	•	•
CX 119	84837119	Horizontal forced flue L = 730 mm	80/125	Alu/Alu													•
CX 120	84837120	Flue tile 5 to 25° red	141		•	•	•	•		•	•				•	•	•
CX 121	84837121	Flue tile 5 to 25° black	141		•	•	•	•		•	•				•	•	•
DB 85	81998548	Inspection sleeve L = 0.25 m	80/125	Stainless steel/ Stainless steel													•
DB 86	81998549	90° inspection elbow	80/125	Stainless steel/ Stainless steel													•
DB 87	81998544	Long horizontal forced flue	80/125	Stainless steel/ Stainless steel													•
DB 88	81998545	Silencer cartridge for horizontal forced flue															•
DB 89	81998543	Vertical forced flue red	80/125	Stainless steel/ Stainless steel													•
DB 90	81998533	Horizontal forced flue standard	80/125	Stainless steel/ Stainless steel													•
DB 91	81998534	Vertical forced flue black	80/125	Stainless steel/ Stainless steel													•
DB 92	81998535	Extension L 1 m	80/125	Stainless steel/ Stainless steel													•
DB 93	81998536	Extension L 0.5 m	80/125	Stainless steel/ Stainless steel													•
DB 94	81998537	Extension L 0.25 m	80/125	Stainless steel/ Stainless steel													•
DB 95	81998538	Compensation sleeve from 0.39 to 0.64 m	80/125	Stainless steel/ Stainless steel													•
DB 96	81998539	90 ° elbow	80/125	Stainless steel/ Stainless steel													•
DY 615	84887615	Extension L = 1000 mm (2 pieces)	80	PPS	•	•	•	•		•	•			•	•		

LIST AND USE SCENARIOS

FOR ALL FLUE SYSTEMS ACCESSORIES AVAILABLE

Package No.	Ref.	Description	Ø (mm)	Material	Where used												
					VIVADENS MCR 24, 24/28 MI, 24/28 BIC	VIVADENS MCR 30/35 MI, 34/39 MI	QUADRODENS DUC 25	ELIDENS DTG 130-45 INNOVENS PRO MCA 45	ELIDENS DTG 130-65, 90, 115 INNOVENS PRO MCA 65, 90, 115	MODULENS G* AGC 10, 15, 25, TWINEO EGC 25, INNOVENS MCA 10, 15, 25, 25/28 MI, 25/28 BIC	MODULENS G* AGC 35, INNOVENS MCA 35	C 230 ECO	C 310 ECO C 610 ECO	GTU C 120/1200, WINGO SFC...	GTU C 120 FF/1200 FF, WINGO SFC... FF	GTU 124 FF/1204 FF	ZENA MS... FF
DY 618	84887618	Centering star for flex (2 pieces)	80		•	•	•	•		•	•			•	•		
DY 624	84887624	Inspection pipe L = 300 mm	100	Alu					•								
DY 625	84887625	Extension L = 500 mm (2 pieces)	100	Alu					•								
DY 626	84887626	Extension L = 1000 mm (2 pieces)	100	Alu					•								
DY 627	84887627	Extension L = 1950 mm (2 pieces)	100	Alu					•								
DY 628	84887628	Centering star (2 pieces)	100	Alu					•								
DY 629	84887629	87° elbow	100	Alu					•								
DY 630	84887630	45° elbow (2 pieces)	100	Alu					•								
DY 633	84887633	Chimney connection kit	100	Alu					•								
DY 645	84887645	Extension L = 500 mm	150	Alu							•						
DY 646	84887646	Extension L = 1000 mm	150	Alu							•						
DY 647	84887647	Extension L = 1950 mm	150	Alu							•						
DY 648	84887648	Centering star (2 pieces)	150	Alu							•						
DY 649	84887649	87° elbow	150	Alu							•						
DY 650	84887650	45° elbow (2 pieces)	150	Alu							•						
DY 652	84887652	Extension L = 500 mm	60/100	Alu/Alu													•
DY 653	84887653	Extension L = 1000 mm	60/100	Alu/Alu													•
DY 654	84887654	Extension L = 1950 mm	60/100	Alu/Alu													•
DY 655	84887655	87° elbow	60/100	Alu/Alu													•
DY 656	84887656	45° elbow (2 pieces)	60/100	Alu/Alu													•
DY 659	84887659	Compensation sleeve	60/100	Alu/Alu													•
DY 660	84887660	Inspection T	60/100	Alu/Alu													•
DY 673	84887673	Centering star (2 pieces)	60				•			•	•						
DY 681	84887681	Extension L = 500 mm	60/100	Alu/PPS	•	•	•			•	•						
DY 682	84887682	Extension L = 1000 mm	60/100	Alu/PPS	•	•	•			•	•						
DY 683	84887683	Extension L = 1950 mm	60/100	Alu/PPS	•	•	•			•	•						
DY 684	84887684	87° elbow	60/100	Alu/PPS	•	•	•			•	•						
DY 685	84887685	45° elbow (2 pieces)	60/100	Alu/PPS	•	•	•			•	•						
DY 686	84887686	30° elbow (2 pieces)	60/100	Alu/PPS	•	•	•			•	•						
DY 687	84887687	15° elbow (2 pieces)	60/100	Alu/PPS	•	•	•			•	•						
DY 688	84887688	Compensation sleeve 50 to 250 mm	60/100	Alu/PPS	•	•	•			•	•						
DY 689	84887689	Straight inspection pipe	60/100	Alu/PPS	•	•	•			•	•						
DY 690	84887690	Extension L = 500 (2 pieces)	60	PPS			•			•	•						
DY 691	84887691	Extension L = 1000 (2 pieces)	60	PPS			•			•	•						
DY 692	84887692	Extension L = 1950 (2 pieces)	60	PPS			•			•	•						
DY 693	84887693	87° elbow	60	PPS			•			•	•						
DY 694	84887694	45° elbow (2 pieces)	60	PPS			•			•	•						
DY 698	84887698	Straight inspection pipe	60	PPS			•			•	•						
DY 700	84887700	Chimney connection kit	60	PPS			•			•	•						
DY 701	84887701	Chimney connection kit	with adapter 60 to 80	PPS	•	•	•			•	•						
DY 702	84887702	Boiler connection kit	60/100	Alu/PPS	•	•	•			•	•						
DY 708	84887708	Adapter	60/100 to 80/125	Alu/PPS	•	•	•			•							
DY 711	84887711	Chimney connection kit	80	Alu	•	•	•	•		•	•						•
DY 716	84887716	Boiler connection kit	80/125	PPS		•		•									

LIST AND USE SCENARIOS

FOR ALL FLUE SYSTEMS ACCESSORIES AVAILABLE

Package No.	Ref.	Description	Ø (mm)	Material	Where used																
					VIVADENS MCR 24, 24/28 MI, 24/28 BIC	VIVADENS MCR 30/35 MI, 34/39 MI	QUADRODENS DUC 25	ELIDENS DTG 130-45 INNOVENS PRO MCA 45	ELIDENS DTG 130-65, 90, 115 INNOVENS PRO MCA 65, 90, 115	MODULENS G* AGC 10, 15, 25, TWINFO EGC 25 INNOVENS MCA 10, 15, 25, 25/28 MI, 25/28 BIC	MODULENS G* AGC 35, INNOVENS MCA 35	C 230 ECO	C 310 ECO C 610 ECO	GTU C 120/1200, WINGO SFC...	GTU C 120 FF/1200 FF, WINGO SFC... FF	GTU 124 FF/1204 FF	ZENA MS... FF				
DY 717	84887717	Chimney connection kit	80	PPS	•	•	•	•													
DY 723	84887723	Bi-flow adapter	60/100 to 2x80	Alu			•														
DY 735	84887735	Vertical forced flue black	80/125	Alu/Alu																	•
DY 736	84887736	Vertical forced flue red	80/125	Alu/Alu																	•
DY 737	84887737	Inspection T	60/100	Alu/PPS	•	•	•			•	•										
DY 738	84887738	Inspection T	80	Alu	•	•	•	•													•
DY 739	84887739	Inspection T	100	Alu					•												
DY 741	84887741	Inspection T	60	PPS			•														
DY 746	84887746	Extension L = 250 mm	60/100	Alu/Alu																	•
DY 752	84887752	Chimney finishing plate	100	Alu					•												
DY 753	84887753	Sleeve L = 500 mm	124	PPS																	
DY 757	84887757	Finishing plate for chimney	80	PPS																	
DY 758	84887758	Finishing plate for chimney	125	PPS																	
DY 763	84887763	Sleeve L = 500 mm	141	PPS																	
DY 768	84887768	Adapter (MC 45 only)	80 to 100	Alu				•													
DY 773	84887773	Sleeve L = 500 mm	165	PPS																	
DY 780	84887780	Air/flue gas vent with flashing	150	Alu																	
DY 805	100002280	Centering star for flex (4 pieces)	110						•												
DY 810	100002285	Outside air intake L 500 mm	100	Alu					•												
DY 811	100002351	Extension L = 500 mm	110/150	Alu/PPS					•												
DY 812	100002352	Extension L = 1000 mm	110/150	Alu/PPS					•												
DY 813	100002353	87° elbow	110/150	Alu/PPS					•												
DY 814	100002354	45° elbow (2 pieces)	110/150	Alu/PPS					•												
DY 815	100002355	Straight inspection pipe	110/150	Alu/PPS					•												
DY 816	100002356	Inspection T	110/150	Alu/PPS					•												
DY 817	100002357	Adapter	100/150 to 110/150	Alu/PPS					•												
DY 818	100002360	Boiler connection kit	110/150	PPS					•												
DY 819	100002361	Bi-flow adapter (ELIDENS only)	2x80	Alu				•													
DY 820	100002362	Bi-flow adapter (ELIDENS only)	2x100	Alu					•												
DY 821	100002395	Extension L = 1000 mm	160	PPS																	
DY 822	100002396	Extension L = 500 mm	160	PPS																	
DY 823	100002397	87° elbow	160	PPS																	
DY 824	100002398	45° elbow	160	PPS																	
DY 825	100002399	Adapter	150 to 160	PPS																	
DY 826	100002400	Vertical forced flue black	160/220	PPS/Galva																	
DY 827	100002401	Horizontal forced flue	160/220	PPS/Galva																	
DY 828	100002402	Flashing for flat roof	220	PPS																	
DY 829	100002403	Flashing for sloping roof	220	PPS																	
DY 830	100002404	Air connection part for forced flue	150	Alu																	
DY 831	100002469	Horizontal forced flue	150/220	Alu/Galva																	
DY 832	100002470	Inspection T	150	Alu																	
DY 833	100002471	Inspection pipe L = 300 mm	160	PPS																	
DY 834	100002472	Inspection elbow	160	PPS																	

LIST AND USE SCENARIOS

FOR ALL FLUE SYSTEMS ACCESSORIES AVAILABLE

Package No.	Ref.	Description	Ø (mm)	Material	Where used														
					VIVADENS MCR 24, 24/28 MI, 24/28 BIC	VIVADENS MCR 30/35 MI, 34/39 MI	QUADRODENS DUC 25	ELIDENS DTG 130-45 INNOVENS PRO MCA 45	ELIDENS DTG 130-65, 90, 115 INNOVENS PRO MCA 65, 90, 115	MODULENS G [®] AGC 10, 15, 25, TWINFO EGC 25 INNOVENS MCA 10, 15, 25, 25/28 MI, 25/28 BIC	MODULENS G [®] AGC 35, INNOVENS MCA 35	C 230 ECO	C 310 ECO C 610 ECO	GTU C 120/1200, WINGO SFC...	GTU C 120 FF/1200 FF, WINGO SFC... FF	GTU 124 FF/1204 FF	ZENA MS... FF		
DY 893	100015323	Inspection pipe for flex pipe	110	PPS						•						•			
DY 894	100015324	Insertion tool for flex pipe	110							•						•			
DY 895	100015325	Flex chimney connection kit	80	PPS	•	•	•	•			•	•				•	•		
DY 896	100015326	Flex pipe L = 50m	80	PPS	•	•	•	•			•	•				•	•		
DY 897	100015327	Flex pipe L = 12.5 m	80	PPS	•	•	•	•			•	•				•	•		
DY 898	100015328	Coupling part for flex pipe	80	PPS	•	•	•	•			•	•				•	•		
DY 899	100015329	Air/flue gas vent with flashing for flex pipe	80	PPS	•	•	•	•			•	•				•	•		
DY 900	100015330	Inspection pipe for flex pipe	80	PPS	•	•	•	•			•	•				•	•		
DY 901	100015331	Insertion tool for flex pipe	80		•	•	•	•			•	•				•	•		
DY 902	100015318	Off-centre adapter	80M-110F	PPS													•		
DY 903	100015319	Sleeve with measuring device (L 160 mm)	80	PPS													•		
DY 904	100015880	Adapter for flex pipe	80	PPS	•	•	•	•			•	•				•	•		
DY 905	100015881	Adapter for flex pipe	110	PPS					•										
DY 906	S100762	Bi-flow adapter (INNOVENS PRO)	80/125 to 2 x 80	Alu				•											
DY 907	S101626	Bi-flow adapter (INNOVENS PRO)	100/150 to 2 x 100	Alu					•										
DY 908	100016485	Horizontal forced flue	60/100	Alu															•
DY 909	100016486	Adapter condensates recuperator	60/100 to 80/125	Alu															•
DY 910	100016487	Condensates recuperator	60/100	Alu															•
DY 911	100016488	Boiler connection kit on 3CE conduit	60/100	Alu															•
DY 912	100017526	Horizontal forced flue "Retrofit"	60/100	Alu/PPs	•	•													
DY 913	100017527	Boiler connection kit	80/125	Alu/PPs	•	•	•	•			•	•							
DY 914	100017529	Boiler connection kit	110/150	Alu/PPs					•										
DY 915	100017634	Adapter	110/150	Alu/PPs								•							
DY 916	100018981	Condensates recuperator	80/125	Alu/PPs				•											
DY 917	100018983	Condensates recuperator	110	PPs					•										
DY 918	100018984	Condensates recuperator	110/150	Alu/PPs					•										
DY 919	100018985	Condensates recuperator	80	PPs				•											
FM 164	100006120	Silencer for flue gas pipe	110																•
FM 183	100007638	Horizontal terminal	80/125	Alu/PPS															•
HC 154	100002685	Flue damper (Elidens)	100	Stainless steel				•	•										
HR 38	S100465	Adapter	80/125	Alu/PPS						•	•								
HR 48	100013756	Horizontal forced flue	60/100	Alu/PPS						•	•								
HX 30	100016413	Bi-flow adapter	2 x 80	Alu															•
GR 12	100003347	Alarm/External gas valve transfer PCB and flue damper (Elidens)						•	•										
GS 23	100002457	Motorised flue damper	250																•
GV 24	100011033	Motorised flue damper	150																•
JA 43	100018253	Réduction elbow	60/100	Alu/PPs						•	•								
-	300007172	Protection screen for roof outlet	90	Stainless steel	•	•	•	•			•	•				•	•		
-	300007173	Protection screen for roof outlet	120	Stainless steel				•	•										
-	S59704	Air inlet collector (C 610 Eco)	2 x 250 to 350	Alu															•

DE DIETRICH THERMIQUE

S.A.S. with corporate capital of 22,487,610 €

57, rue de la Gare - F 67580 Mertzwiller

Tel. +33 3 88 80 27 00 - Fax +33 3 88 80 27 99

www.dedietrich-heating.com

