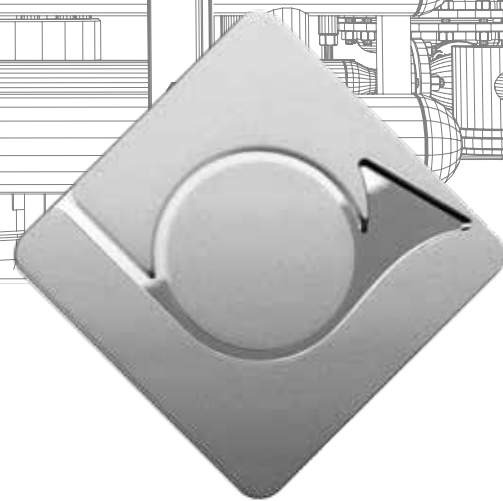
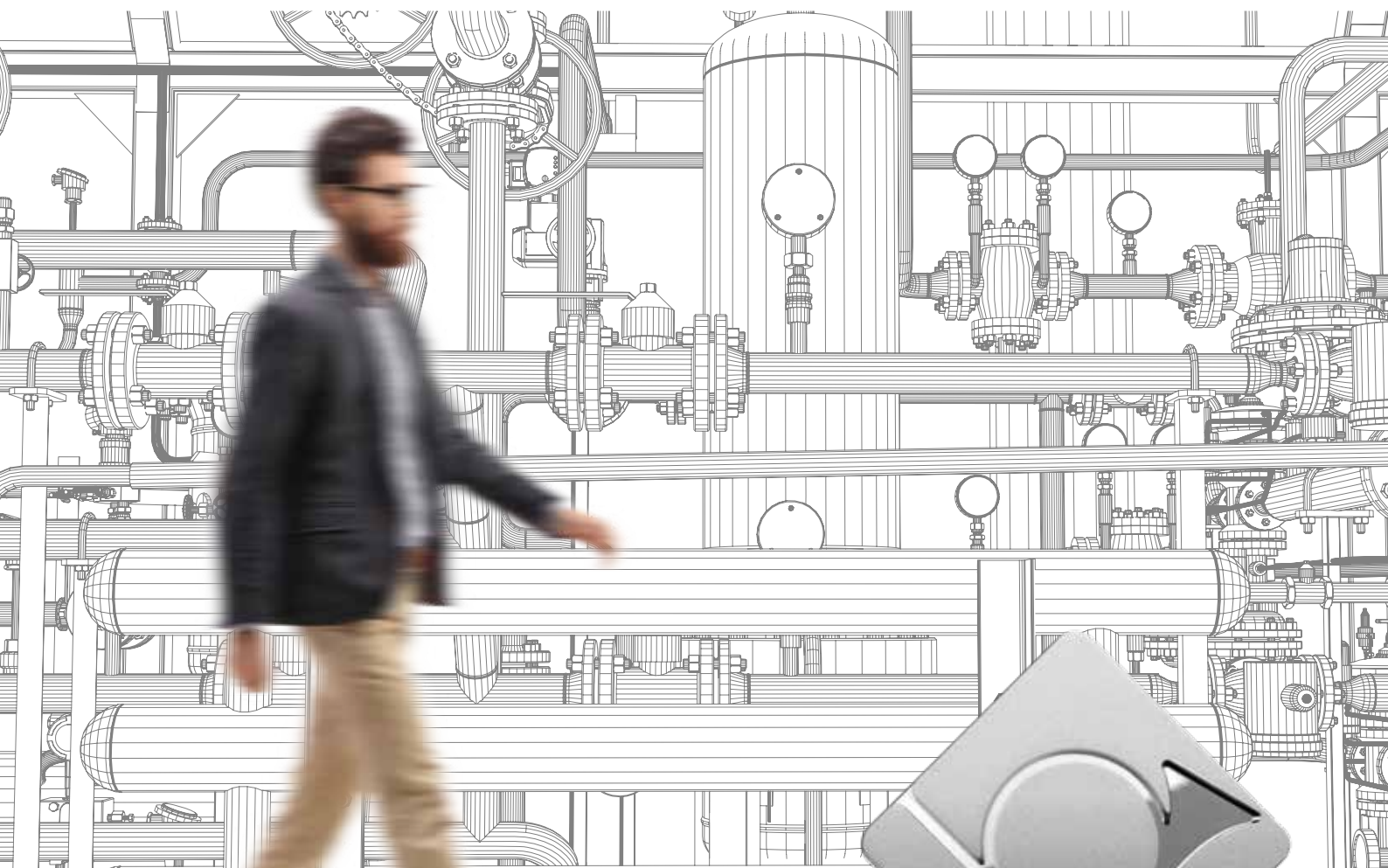


EVODENS PRO

WALL-HUNG GAS CONDENSING BOILERS

ULTRA-COMPACT SOLUTION FOR COMMERCIAL INSTALLATIONS



High performance and compact dimensions

76 kg for 115 kW
(H) 750 x (W) 500 x (D) 500

Optimised for the environment

Low polluting emissions

Cascade solutions

Complete hydraulic systems for a cascade of 2 to 8 boilers for installations between 16 and 877 kW



BESPOKE CONTROL SYSTEM

DIEMATIC EVOLUTION

This is a highly advanced panel with new ergonomic controls, with a builtin programmable electronic control system.

The Diematic Evolution control panel offers innovative features:



MASTER BOILER

Depending on the outdoor temperature by activating the modulating burner

Control:

1 DHW circuit

until 3 heating circuits direct or mixing

cascades of 2 to 8 boilers

Remote management possible with GTW08 L-BUS - Modbus communication gateway

INICONTROL 2

This is mainly used in installations (cascade or alone) with an external control which manage all of the secondary circuits via a 0-10V input, which this panel is fitted with as part of its original equipment.



SLAVE BOILERS
(BUS CONNECTION)

Control:

of the boiler only with a 0-10 V signal

EASY ASSEMBLY AND MAINTENANCE



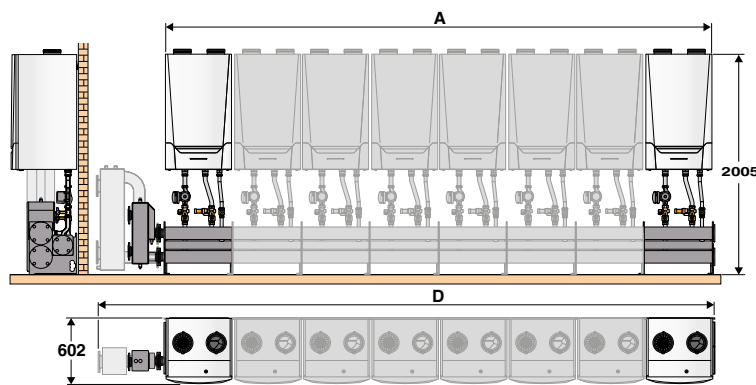
With a reduced space requirement and lighter weight, boilers from this new range are easy to install and have lower impact on the yearly budget!

- Identical dimensions across the range
- They have a low noise level thanks to a silencer on the air intake.
- Boilers from this range are lighter: less than 1 kg per kW of output (AMC 65, AMC 90 and AMC 115).
- Internal components, and notably the heating exchanger, can be easily accessed by removing the front panel.
- The siphon is accessed from the outside, saving time during maintenance.
- A hydraulic connection kit can be offered as an option; it includes non-return valves (gas and heating flow/return), a safety valve, a filling valve and a connection opening for an expansion vessel.
- Internal lighting of the boiler.

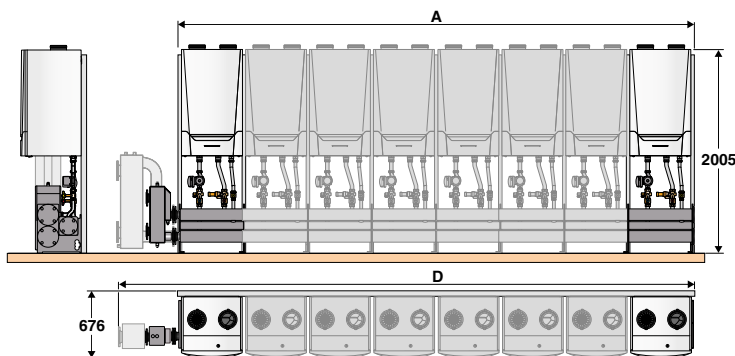
A SOLUTION FOR EVERY SITUATION

ALIGNMENT OF 2 TO 8 BOILERS

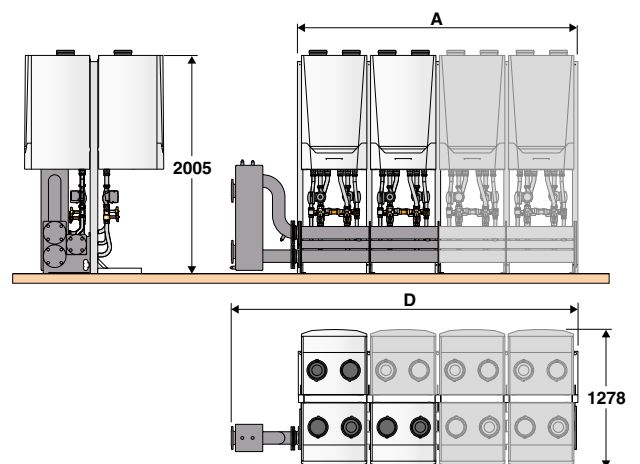
Wall-hung alignment "LW"



Floor-standing alignment "LV"



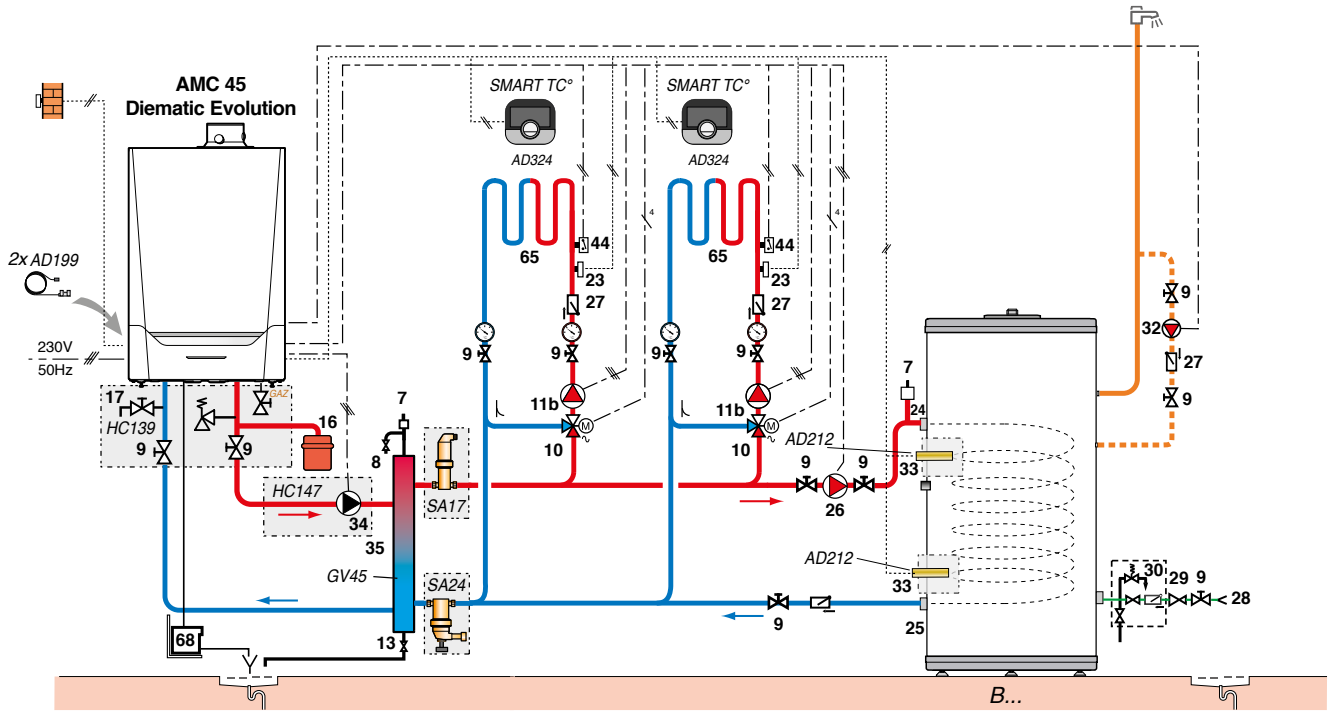
Back to back alignment "RG"



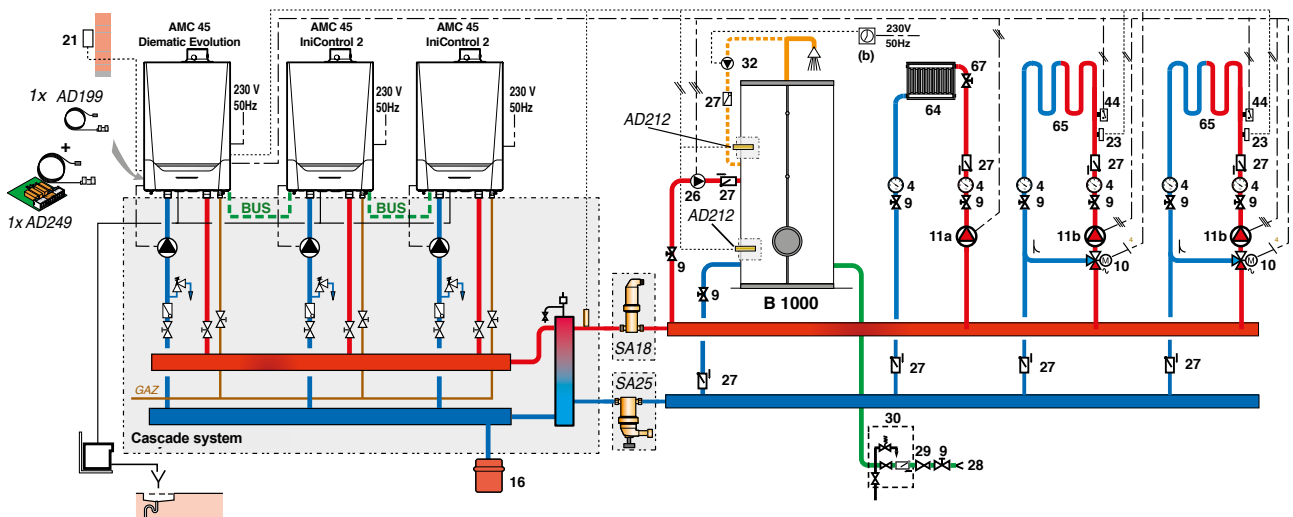
IMPORTANT:

Other "cascade systems" are also possible: to help you identify and enter these, a "Diematools" tool can be accessed on our website. These are used to size the installation extremely precisely, virtually tailoring it.

TAKE IT FURTHER



CASCADE INSTALLATION



The Diematic Evolution control system means up to 8 boilers can be connected in cascade. Combustion products can be evacuated according to different configurations. Prevailing regulations must be respected.

DEVELOP YOUR OVERALL PERFORMANCE WITH EVODENS PRO



EVODENS PRO OFFERS A HIGH-PERFORMANCE WALL-HUNG GAS-FIRED CONDENSING SOLUTION FOR SMALL COLLECTIVE AND TERTIARY APPLICATIONS.

The new Evodens Pro boiler is ultra-high performing with an output range from 109.7 kW up to 877 kW in a cascade of 8 boilers. Thanks to its compact packaged heating body made from aluminium/silicon alloy with a large heat exchange surface area and high resistance.

It requires a very low irrigation flow rate thanks to the burner regulator device which manages the transition phases within the installation. The front access facilitates maintenance and saves time.

Its stainless steel premix burner means it is high performing, its surface made from braided metal fibres means it adapts perfectly to all requirements with its output modulation from 18 to 100%.

CONDENSING FOR BETTER ENERGY OPERATION

ALUMINIUM/SILICONE ALLOY: A PERFECT COMPOSITION FOR OPTIMISED GENERATOR OPERATION.

- **Rock-solid chemical resistance:** the aluminium/silicium alloy withstands acid condensates produced by flue gases.
- **High resistance to corrosion** thanks to auto-passivation on the surface.
- **Aluminium is an excellent heat conductor** (5 times better than steel).
- **No return temperature constraints:** heat exchange is optimised.
- **Condensing, ****CE classification** according to European Directive 92/42 EEC.
- **Very responsive generator** thanks to low volume of water.
- **ECO-friendly material:** can be recycled endlessly.



EVODENS PRO

EVODENS PRO BOILERS

Models		AMC	45	65	90	115
Heating performance			A	A	—	—
Useful heating output	- 100% Pn at av. temp. 70 °C	kW	40.8	61.5	84.2	103.9
	- intermediate at 30% Qnom ⁽¹⁾	kW	13.7	20.5	27.9	34,7
Nominal output (50/30 °C)		kW	42.4	65	89.5	109.7
Efficiency in % LCV at ...% load	- 100% Pn at av. temp. 70 °C	%	99.1	99.2	97.9	97.1
Qnom and water temp...°C	- 30% Pn at return temp. 30 °C	%	110	110.4	108.1	108
Seasonal energy efficiency: product Etas (without control system)		%	94	94	—	—
Shutdown losses at $\Delta t = 30$ K		W	101	110	123	123
Electrical output of auxiliaries (exc. circulating pump) at Qnom		W	75	89	114	182
Electrical output of auxiliaries in standby			6	7	7	6
Useful output 50/30 °C min./max.		kW	9.1 - 42.7	13.5 - 65.0	15.8 - 89.5	21.2 - 109.7
Useful output 80/60 °C min./max.		kW	8.0 - 40.8	12.0 - 61.5	14.1 - 84.2	18.9 - 103.9
Pressure available at flue gas outlet		Pa	150	100	160	220
Water content		l	4.3	6.4	9.4	9.4
Weight (empty)		kg	53	60	67	68

(1) Qnom = nominal heat output

A SYMBOL OF FRENCH QUALITY

For more than three hundred years, De Dietrich's success has been an expectation based on true values: quality, reliability, durability.

In the interest of the environment and your comfort, De Dietrich perfectly manages various renewable energies using multi-energy systems to protect the planet. Thanks to the collaboration of our entire team, De Dietrich heating systems lead the way in innovation and offer optimal quality and rare longevity.

De Dietrich



BDR THERMEA France
S.A.S. with corporate capital of €229 288 696
57, rue de la Gare - F - 67580 Mertzwiller
Tel. +33 3 88 80 27 00 - Fax +33 3 88 80 27 99
www.dedietrich-heating.com